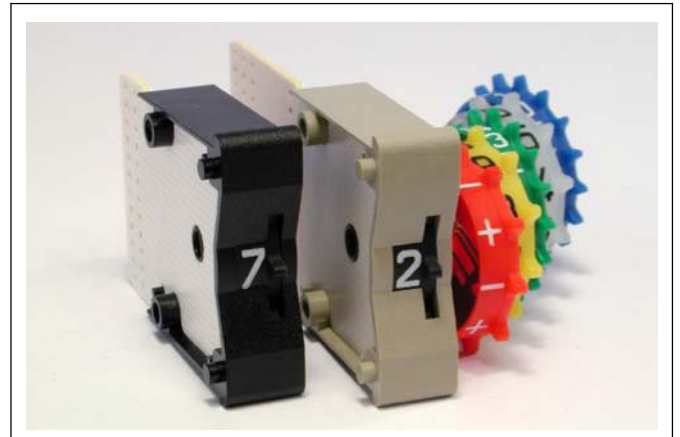


Data Sheet

Thumbwheel Switch Multiswitch, Series V

- ◆ Compact design
- ◆ Discretionary configuration and subdivision of switching modules
- ◆ Switch for front mounting
- ◆ Simple assembly
- ◆ Precise reading of the set values



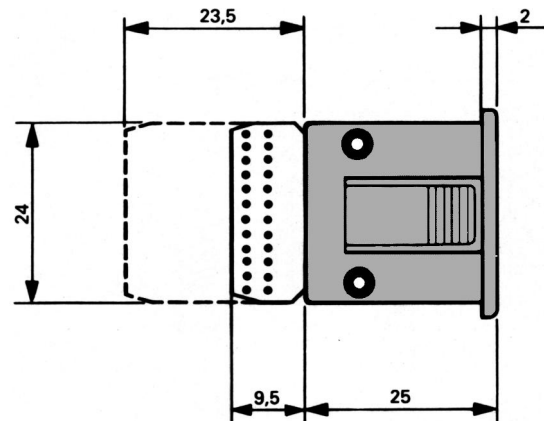
Technical Data

Rated current (resistive load)	1-75 mA AC/DC
Max. current carrying capacity	0,5 A AC/DC
Max. working voltage	max. 42 V AC/DC
Test voltage	250 V DC
Insulation resistance (+20°C)	10 ³ MΩ
Contact resistance (incl. PCB)	70 mΩ
Service life (switch operations)	min. 10 ⁶
Permissible ambient temperature	-25° ... +70°C
10 positions	Yes
Decimal	Yes
Binary coded decimals (BCD)	Yes
BCD negative	Yes
Solder pins	Yes
Wire wrap pins	Yes
PCB for diode mounting	Yes
Direct solder connections	Yes
Edge connections	Yes
Front mounting	Yes
Ganged switches	Yes
Combinable with Codicount	Series 100

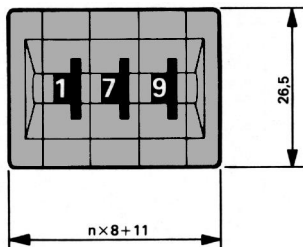
Dimensions

Width	8 mm
Height	26,5 mm
Mounting depth switch + S0	34,5 mm
Mounting depth switch + LS	48,5 mm
Character height	3,5 mm

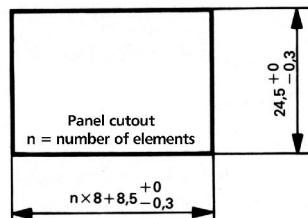
Side view



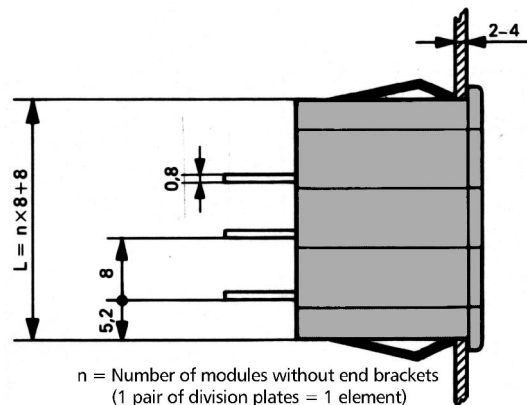
Front view



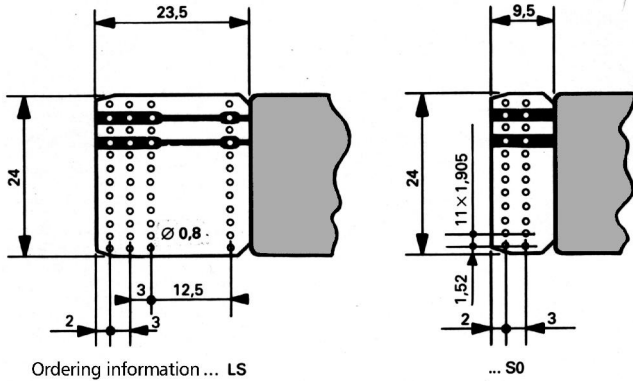
Panel cut-out



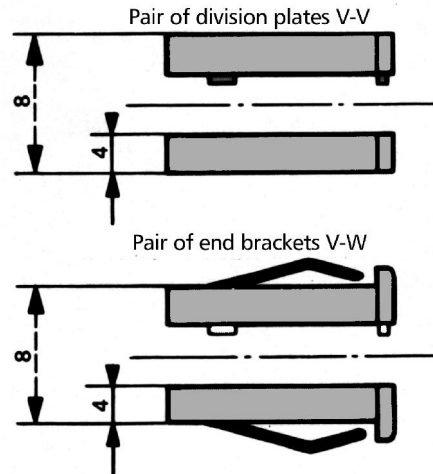
Top view



PCB design



Division plates and end brackets



Standard codes

Description	Code
Decimal 0-9	010
BCD + 2 inputs	140
Hexadecimal 16 positions	627
Resistance decade	632

Description	Code
Single pole change-over switch	701
BCD positive	731
BCD negative	861

Ordering Data

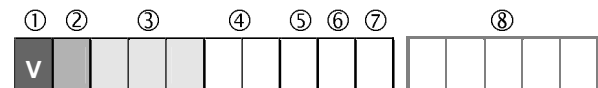
- ① **Series** **V**
- ② **Color of housing** A
gray B
black
- ③ **Coding** refer to table (3 digits)
- ④ **Execution of circuit board** S0
short board with solder and plug in connections LS
long board with solder and plug in connections LA
fitted with diodes (anode connector side) LK
fitted with diodes (cathode connector side) LU
with interrupted circuits

Please note:
For code 632 the long circuit board LS must be ordered.

- ⑤ **Marking of selector disk** -
Standard 0 – 9 M
Marking according to customer's requirement
- ⑥ **Color of selector disk** 0
black 1
green 2
yellow 3
red 4
blue 8
white resp. opal

- ⑦ **Terminals** -
Pin connector S
Solder pins W
Wire wrap pins
- ⑧ **Optional** A...
Limit stops A36
i. e. switching range 3 to 6

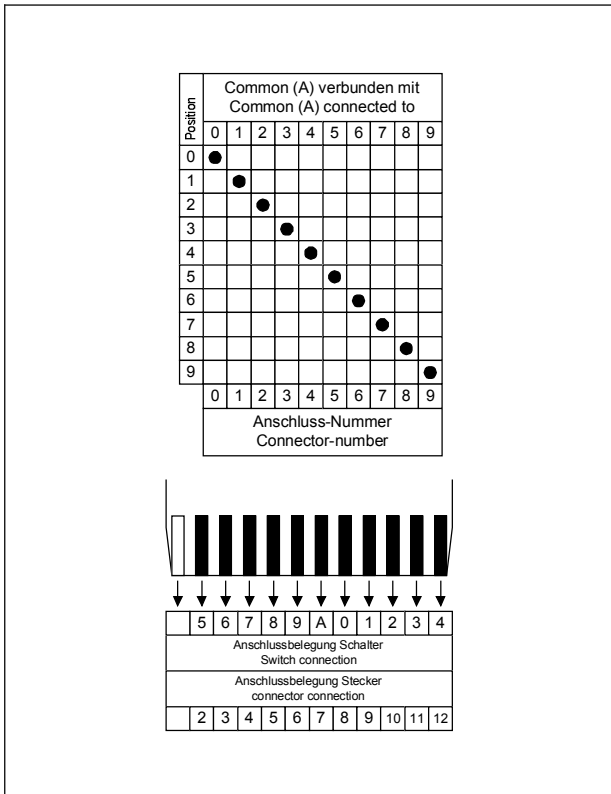
Order key



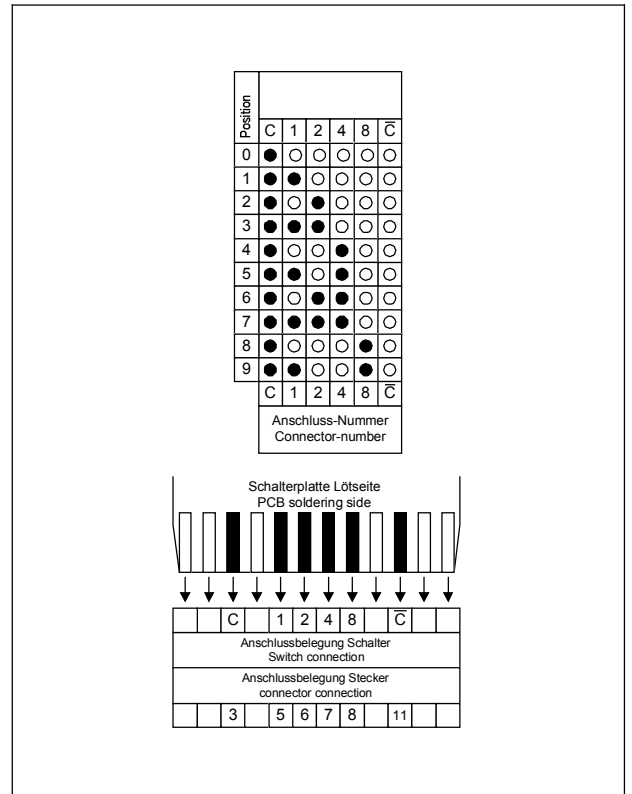
- ① Series
- ② Color of housing
- ③ Coding
- ④ Execution of circuit board
- ⑤ Marking of selector disk
- ⑥ Color of selector disk
- ⑦ Terminals
- ⑧ Optional

Truth tables and connections

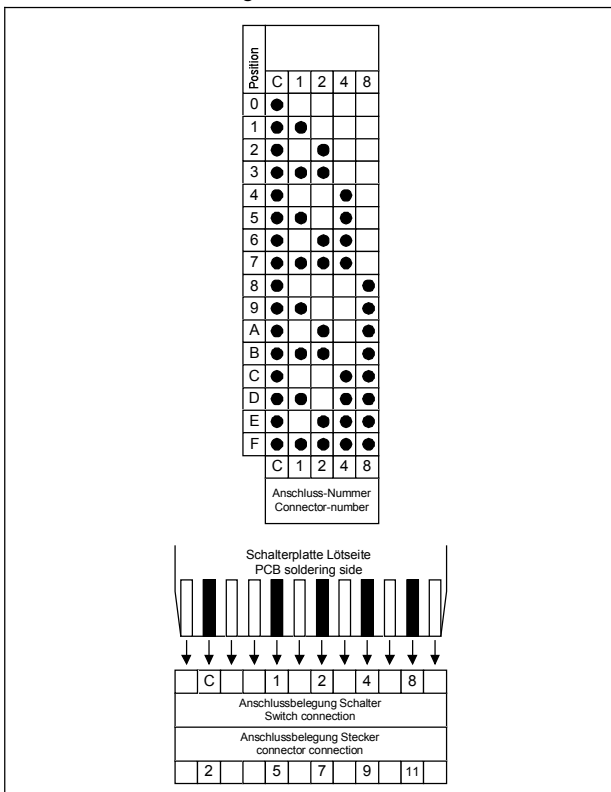
Code 010
Decimal 0-9



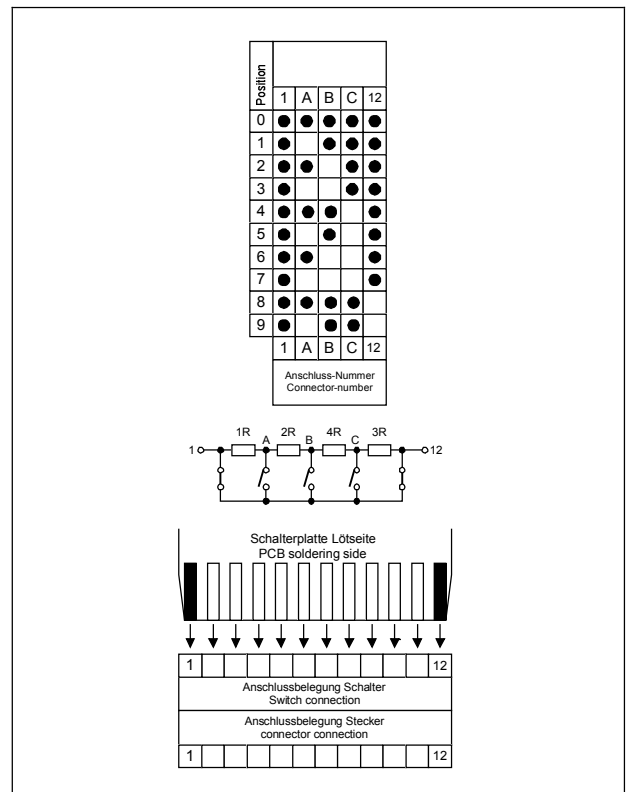
Code 140
BCD + 2 inputs



Code 627
Hexadecimal 16-stellig

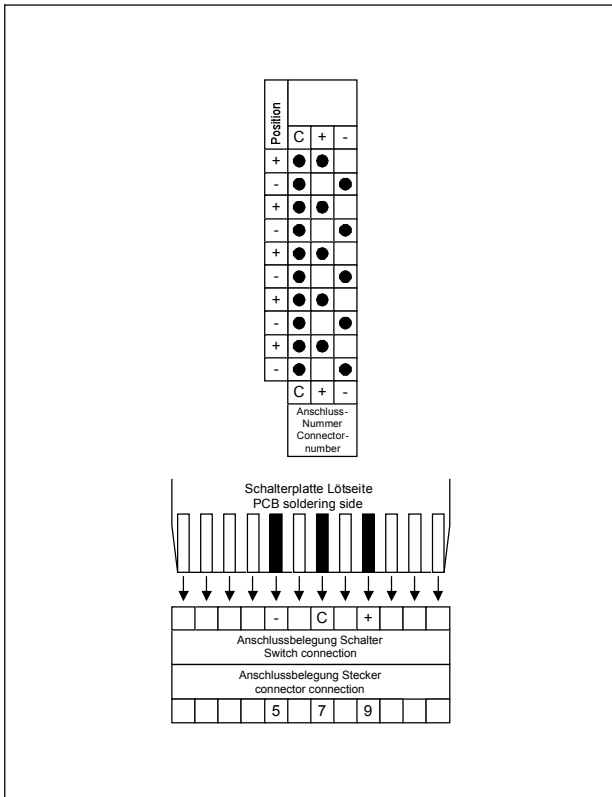


Code 632
Resistance decade

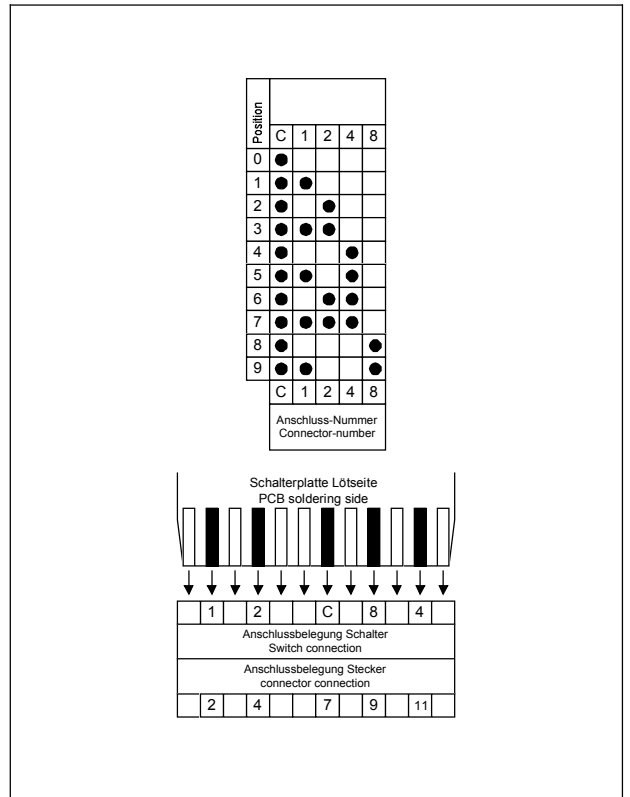


Truth tables and connections

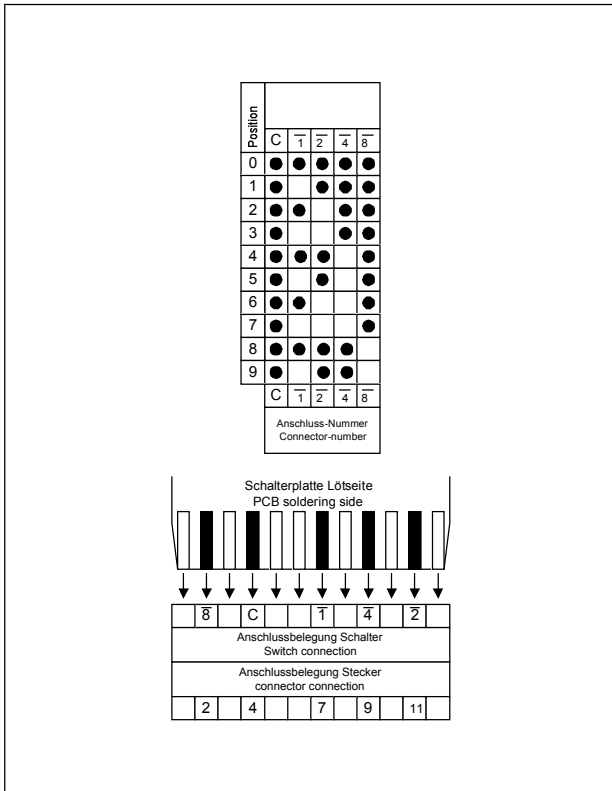
Code 701
Single pole change-over switch



Code 731
BCD positive + complement - make before break contacts



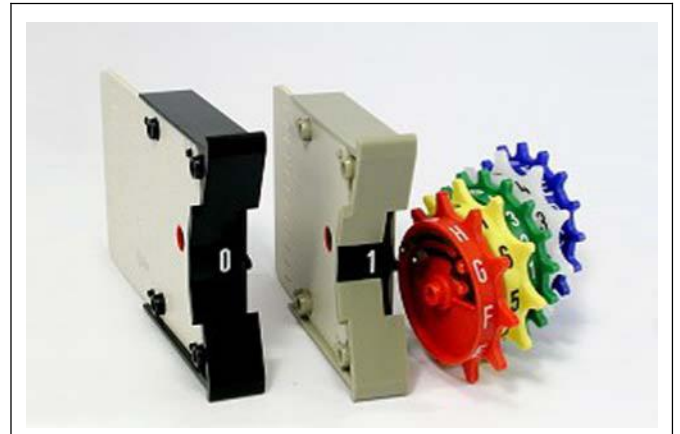
Code 861
BCD negative



General

Advanced industrial process automation and measurement systems often require the input of data from an Operator. With simple systems of small complexity this is normally the input of a number or code. Multiswitch, the family of thumbwheel switches from Crameda Intersys, are the ideal device for this purpose. The design principle is that of a step switch but deviates from conventional switches in that the switch shaft is not perpendicular but parallel to the front panel.

Multiswitch thumbwheel switches are used in machine tool control systems, measurement and test units, control and regulation systems, sound and vision control systems, medical measurement systems, etc. The essential features of the thumb-wheel switch are its high reliability, precision and contact en-durance. Many years of experience with diverse applications has resulted in a comprehensive range of products with an extremely high level of component quality.



Customer specific execution and accessories

Special marking of selector disk

In place of characters, letters, icons or symbols can be printed on request.



Colors of selector disk

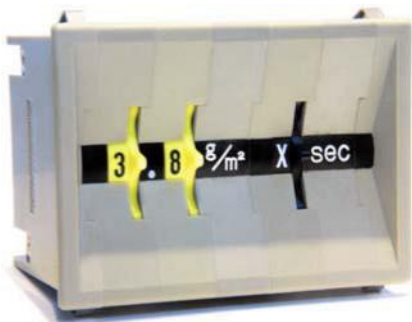
Multiswitches are standard with a black thumbwheel and white characters.

Upon request, the thumbwheels can be delivered in green, red or blue with white characters. In yellow and in opal with black characters.



Marking on the housing

Markings, i.e. words, special characters or symbols are possible and need to be specified in detail (drawing).



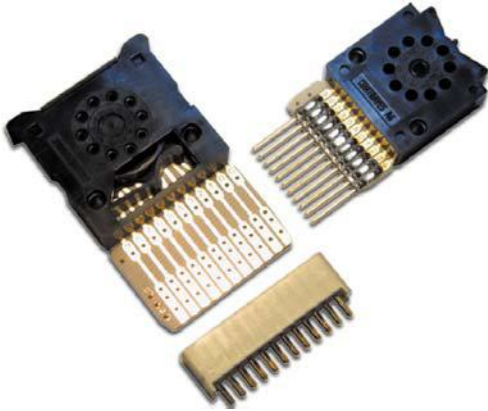
Switch with illuminated thumbwheel

Multiswitches of series A, B, H, M and P are available with a translucent thumbwheel. The housing is provided with a rectangular cut-out to accommodate a light source to be provided by the user. The light beam is routed through the translucent thumbwheel to the front of the switch.



Terminals

Multiswitches are equipped with pin connections as standard. Alternatives are: solder pins or wire wrap pins.



Dummy switches

Dummy switches appearance is identical to the standard switches. However, the dummy switch has no contacts or printed circuits inside. It can be useful in satisfying aesthetic layout requirements.

Dummy switches are not available for series D or Z.

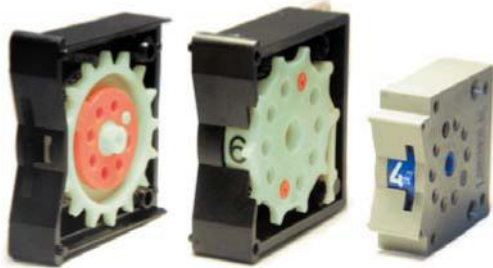


Limit stops

Upon request, all Multiswitches, except series D and Z, can be provided with limit stops.

The stop pins (model series H, L, M, S, U, V, W) can be set from outside by the user.

The stops (series A, B, G, P, Q, R and, H and M 16 positions) are set during assembly and cannot be changed later.



Blank spacing module

A blank spacing module has the same dimensions as the corresponding Multiswitch.

It can be placed in any position within the switch assembly, allowing desired subdivisions.

Blank spacing modules are not available for series R.



Coupled switches

Blind slave switches have the same technical specification as standard switches, but have no thumbwheel and are closed at the front. Each blind slave switch is equipped with a coupling element. They are coupled to a Multiswitch of identical size on the left or right hand side.

Please note: Blind slave switches are available in series A, B, G, H, L, M, P and V.



Distance plate

A distance plate is half as wide as a corresponding Multiswitch. It can be placed in any position within the block assembly, allowing desired subdivisions.

Distance plates are available in series D, H, and P.



Division module

A switch assembly may contain several switch groups separated by ribbed division modules. The dimensions of a division module correspond to those of a switch module.

Division modules are available in series A, L, M, Q, U, V and W.



Pair of division plates

For assembling Codicounts (7-Segment LED displays) and Multiswitches, division plates can be used to stack displays and switches together.



End brackets and block assembly

The individual switch module can be arranged into block assemblies. These are complemented by two end brackets and held together with threaded rods.

The assembly is inserted into the rectangular cut-out of the front panel.

Switch series for front mounting are secured by retaining springs.

Switch types for rear mounting are inserted into the front panel cut-out from behind and secured by four screws.

Based on customer specification, Crameda Intersys provides block assembly of switches as a "ready to install" service.

In series D, U, V and Z, mounting brackets are added left and right, pressed together lightly, yielding a ready to install block.

For more detailed information please refer to End brackets, mounting accessories and block assembly.

