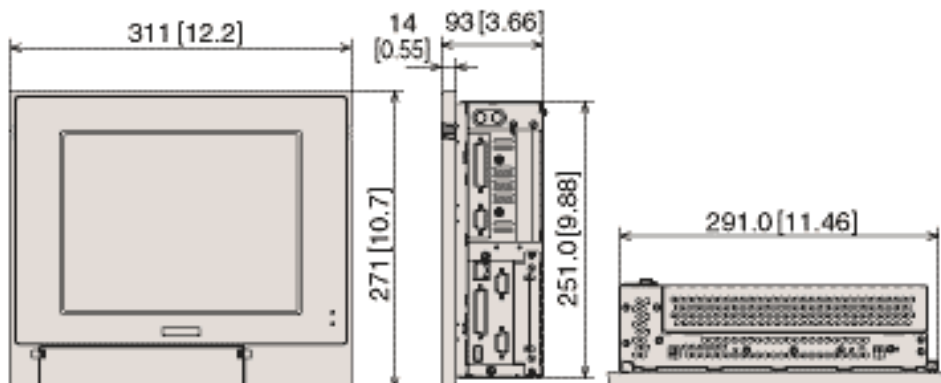


### PL5911-T11

Display Size (diagonal + wxh in mm)	10.4 inch (211.2 x 158.4)
Display Type	TFT colour LCD
Display Colours	262.144 colours
Display Resolution	640 x 480 Pixels
Backlight	CCFL (user replaceable)
Touch Panel Type	Resistive Film (analog)
Touch Panel Resolution	1024x1024
OS	Win.2000/Win.NT/MS-DOS®
CPU	Intel(R) ULV Celeron(R) 650MHz
BIOS	First BIOS
Memory	Max.512MB
Video memory	256KB
Serial	3
Com 1	RS-232C
Com 2	RS-232C
Com 3	RS-232C
Com 4	No
CF-card	No
Ethernet	1
USB	2
RAS	Yes
PCMCIA	No
PCI	No
ISA	1
PCI/ISA	2
Sound	No
Printer	Centronics Standard SPP/(ECP/EPP compatible) LPT1 (Dsub25-pin female )
Keyboard/Mouse	PS2 I/F
Disk I/F	Front Access/2 modes/3.5 inch FD "Side-mount 2.5 inch HDD I/F
"	
Rated voltage	AC100V
Power consumption	150VA or less
Surrounding Air Temperature	0°C to 45°C
External dimensions (wxhxd)	311mm x 271 mm x 130 mm
Cut-out Dimensions (wxh in mm)	291.5mm x 251.5mm



- ▣ PL5911-T11
- ▣ Win.2000/Win.NT/MS-DOS®
- ▣ Intel(R) ULV Celeron(R) 650MHz
- ▣ TFT Colour LCD - 640 x 480
- ▣ 262.144 colours
- ▣ SIO x 3 - USB - PCI/ISAx1

