

Fortress Interlocks

AutoStop Tongue Operated Switch

Product Data Sheet



Description

AutoStop has a heavy duty tongue and head where the tongue allows a $\pm 12\text{mm}$ misalignment. The tongue and head unit can rotate in 90° increments. It features LED status indicators and is suitable for both sliding and hinged door applications.

Features & Benefits

- Non-Solenoid Controlled
- LED status indicators for greater control
- Dual channel safety circuitry
- Suitable for category 4 applications

Application

The product is ideally designed for machines without run down cycles, where quick and frequent access to equipment is required. Typical applications include: -

- Process Lines
- Packaging Lines.

Operation

When the machinery is in operation the tongue is engaged and the power is on. If access is required, the door is simply opened releasing the tongue from the unit, giving positively guided, forced disconnection of the safety switch contacts.

At this point a red L.E.D status indicator is illuminated. Although simple to operate, AutoStop provides twin protection for operator and machinery.

Options

- Safety key adaptor
- Access key adaptor
- Padlock adaptors
- Slide bar
- Lockout Device

Part Number

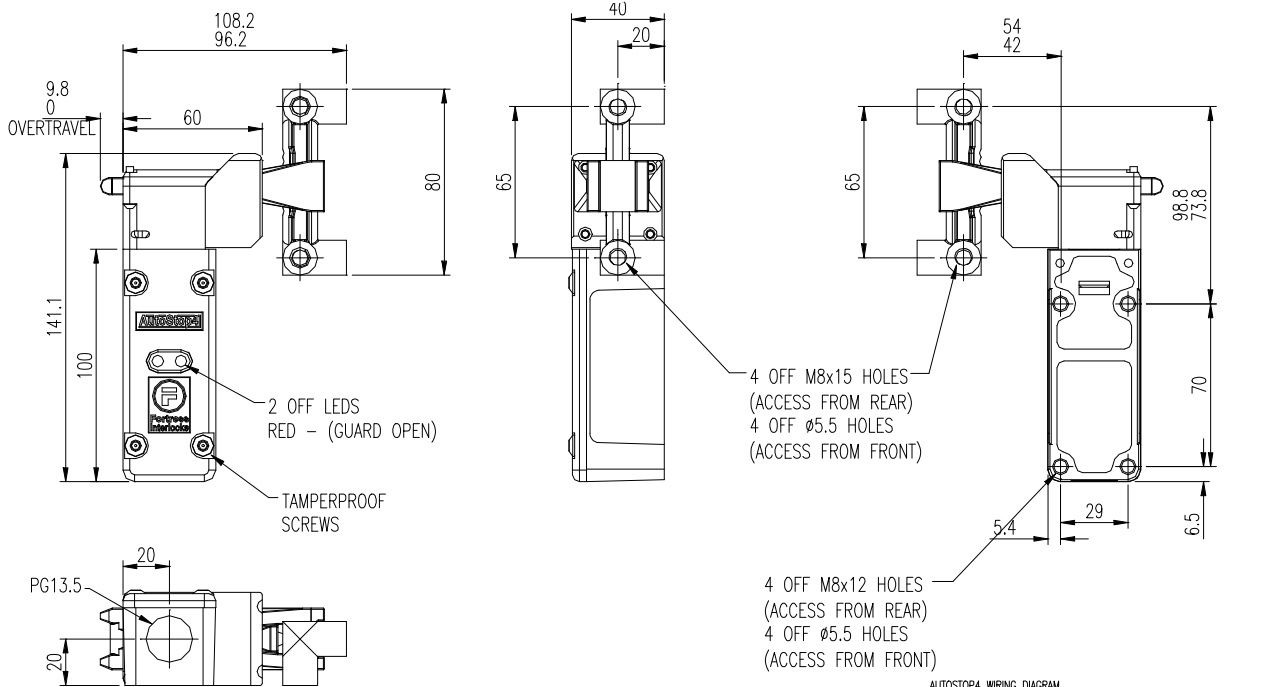
ATSTOP024

The example above shows a 24V unit

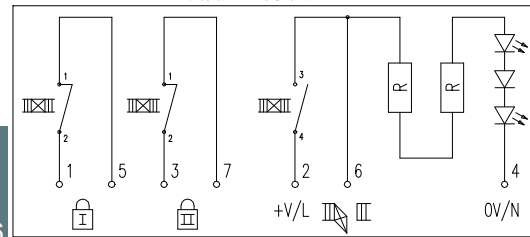


Fortress Technical Data Sheet

Interlocks



AUTOSTOP4 WIRING DIAGRAM



Feature

Housing Materials
Paint Finishes
Colour
Ingress Protection
Operating Force
Retention Force Locked
Maximum Approach Speed
Mechanical Life
Maximum Frequency of Ops
Ambient Temperature
Maximum Wire Cross-Section to fit Connector
Connector Type
Switches Conformance
Switching Contact Element
Switching Principal
Switch Control
Switching Voltage
Isolating Distance
Element Contact Material
Utilization Category
Control Voltages
Insulating Resistance
Insulating Voltage

Specification

Zinc Alloy to BS1004A,
Stainless Steel to BS3146
Gloss Polyester Powder Coat on Passivated Base Material
Red & Stainless Steel
IP67
5Nm
2500N
20m/minute
>1,000,000 Switching Cycles
7,200 per Hour
-5°C to + 40 °C
2.50mm²
Spring Activated Vibration Proof Block
DIN VDE 0660 Part 206 & IEC 947- 5 - 1
2NC and 1NO
Positive Break
3A
230V AC Max
2 x 2mm Per Switch Element
90% Silver and 10% Nickel
AC 15 or DC 13
24V AC/DC, 48V AC/DC, 110V AC, 220V AC or 230V AC
20M Ohm
2,500V AC