

Magnetic Switch JSNY7

Approvals:



EMC

Application:

Gates

Hatches

Position control

Features

Small size

IP 67



Switch operation description

The magnetic switch is designed to operate in dirty industrial environments and is certified to the highest level of safety regulation when working together with a suitable JOKAB SAFETY safety relay. The magnetic switch is small and resistant to both dirt and water, and has no dust collecting cavities making it useful in environments where hygiene is paramount. The small size of the switch makes it easy to position and hide on gates and hatches.

The magnetic switch has a long working life since no mechanical contact is made during operation.

Contacts

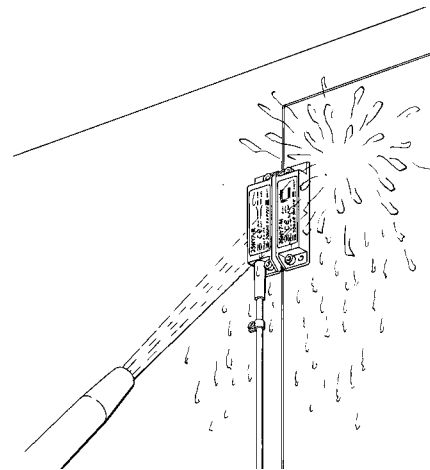
The magnetic switch has one closing and one opening contact. Both contacts have to be monitored. The contacts may be monitored by either the RT9 safety relay or other suitable relays in the new RT-series, i.e. RT6, RT9 or Safety PLC Pluto.

Protection from unauthorised or incidental access

To avoid unauthorised operation of the JSNY7 switch it is only possible to actuate the JSNY7R with the coded magnet, JSNY7M. Other magnets, screwdrivers and tools have no effect on the switch contacts.

Safety level

The JSNY7 is approved to the highest level of safety regulations, category 4 according to EN954-1 together with safety relay in the RT-series. The magnetic switch is approved and certified by DNV and BG.

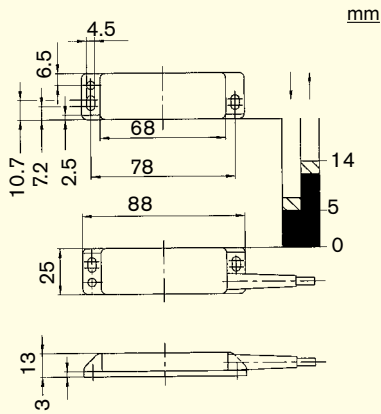


JSNY7 is resistant to both dirt and water.

Regulations and Standards

The JSNY7 is designed and approved in accordance to relevant standards. Example of relevant standards are DIN VDE 0660 T.209, EN1088.

Technical data - magnetic switch JSNY7, Fittings



Manufacturer
Ordering data

JOKAB SAFETY AB, Sweden
JSNY7R Sensor
(3, 6 or 10 m cable)
JSNY7M Coded magnet

Colour
Enclosure/Cover
Supply voltage max

Black
PA 6 (UL94-VO)
30 VDC

Switch current max
Max switching frequency
Mechanical life

100 mA
1 Hz
3 x 10⁸ switch operations, depending on load

Operating temperature range

-5°C to +70°C (moveable)
-20°C to +70°C (fixed)

Connection

Cable ø4.5, 4x0.25 mm², 3 meter ; PVC
(other lengths upon request)

Switching point

Min. switch-on point 5 mm
Max. switch-off point 14 mm

Weight

Coded magnet: 32 g

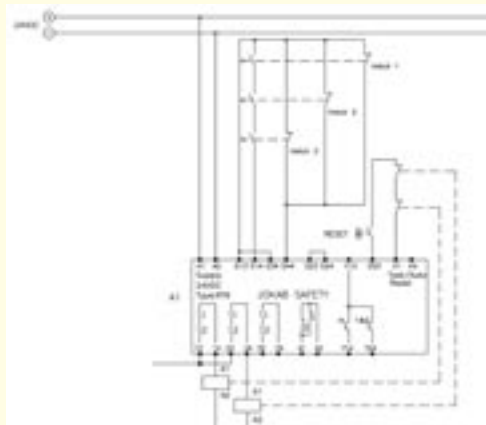
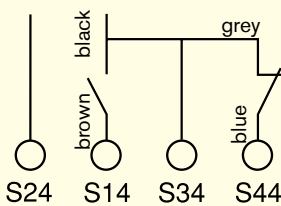
Protection class

Sensor with 3m cable: 133 g
IP67 according to DIN 40050

Contact/Electrical connection description - JSNY7

Electrical connection
Dual channel High safety level

0 V 24 V



Electrical Connection example

Three JSNY7 connected to RT6 safety relay.

N.B.

Safety components drawn in released position.

N.B.

To reach highest level of safety only one magnetic switch should be connected to the safety relay.