

Actuators

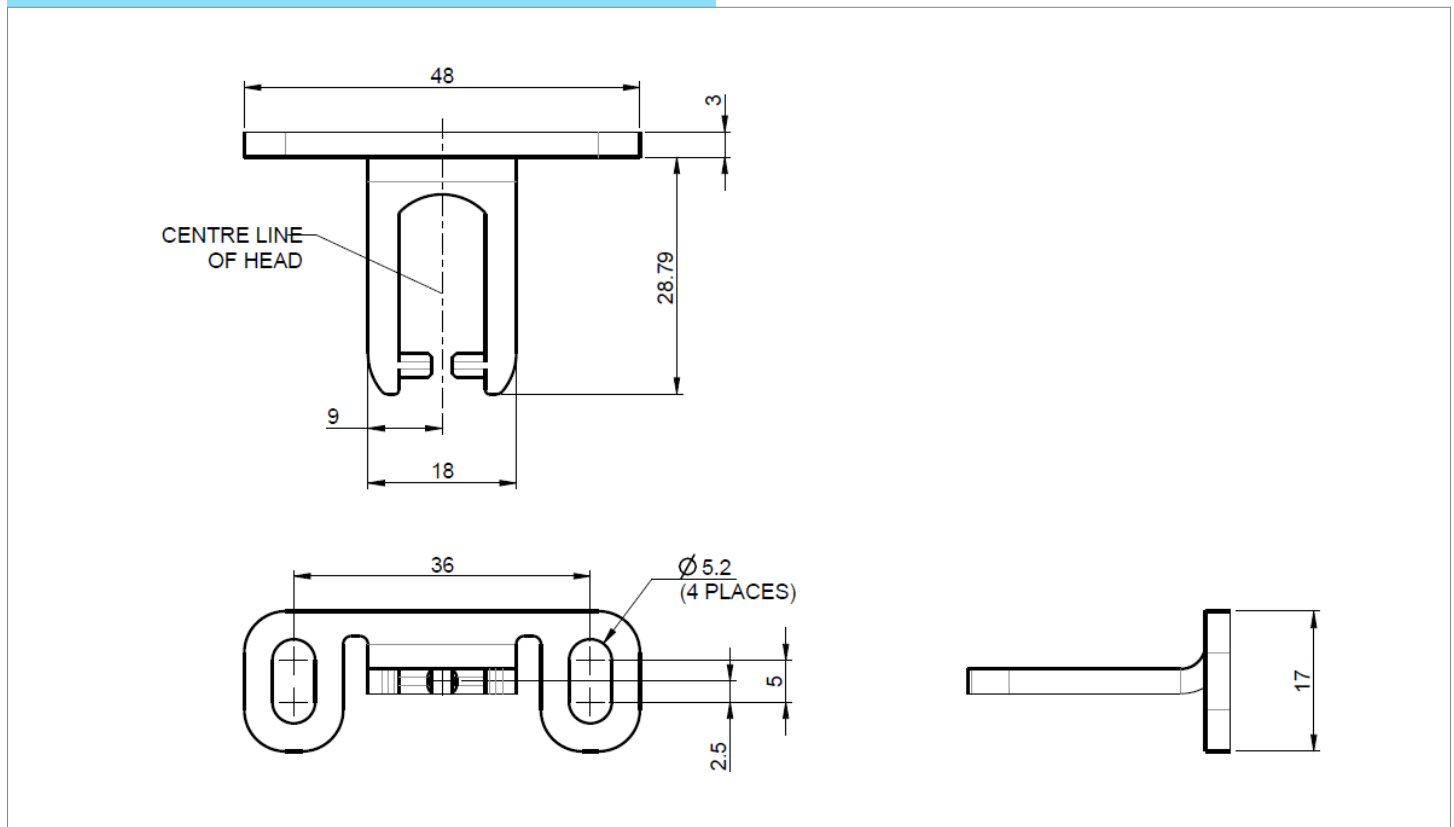
TAF	TAH	TAS	<p>TAF - Fixed Actuator</p> <ul style="list-style-type: none"> Fixed Actuator suitable for mounting on either sliding or hinged doors. <p>TAH / TAS - Handle Actuators</p> <ul style="list-style-type: none"> Handle actuators suitable for bracketless mounting to either hinged (TAH) or sliding (TAS) doors. 4mm misalignment feature. TAH actuator can be converted to a TAS actuator on site, and vice versa. <p>TEH / TEN - Handle Actuators</p> <ul style="list-style-type: none"> Intuitive handle actuator giving latching feature on hinged doors. 4mm misalignment feature Lock out tagout. Handing can be changed on site. <p>Note: The internal knob on TEH handle does not override the solenoid or lock. A TRX/Z (internal release element) must be used to deliver that functionality.</p> <p>To be used in combination with a THM head module.</p>
			
			
	TEN	TEH	

Safety Data	
Standards	EN13849-1:2008 EN13849-2:2012 EN62061:2005 EN14119:2013
Certifications	CE marked for all applicable directives
Category	Cat. 4, PL _e (EN/ISO 13849-1) and SIL3 (EN/IEC 62061)
Functional Safety Data	B10d 5,000,000

Technical Specification	
Housing Materials	Painted die cast aluminium
Colour	Dark Grey
Ambient Temperature	-5°C to +40°C (23°F to 104°F)
Actuator Material	Stainless Steel
Retention Force	2500N

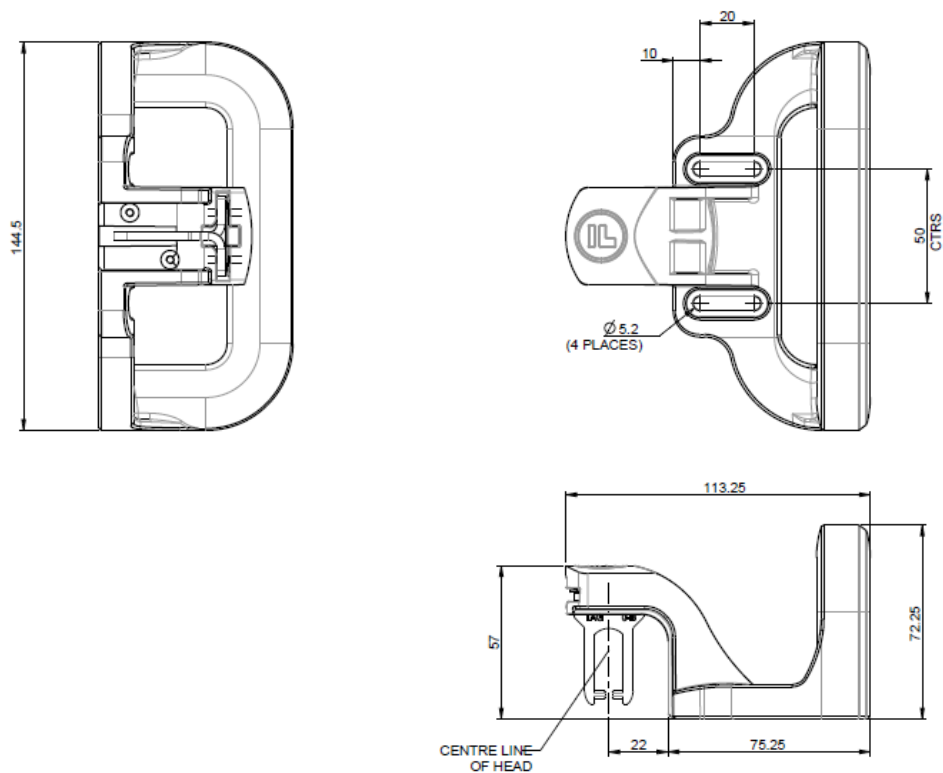
Head Module Part Number Options	
Part Number	Description
TAF	Fixed Actuator
TAH	Hinged Door Actuator
TAS	Sliding Door Actuator
TEH	Handle Actuator
TEN	Handle Actuator (no internal knob)

Dimensional Drawing - TAF

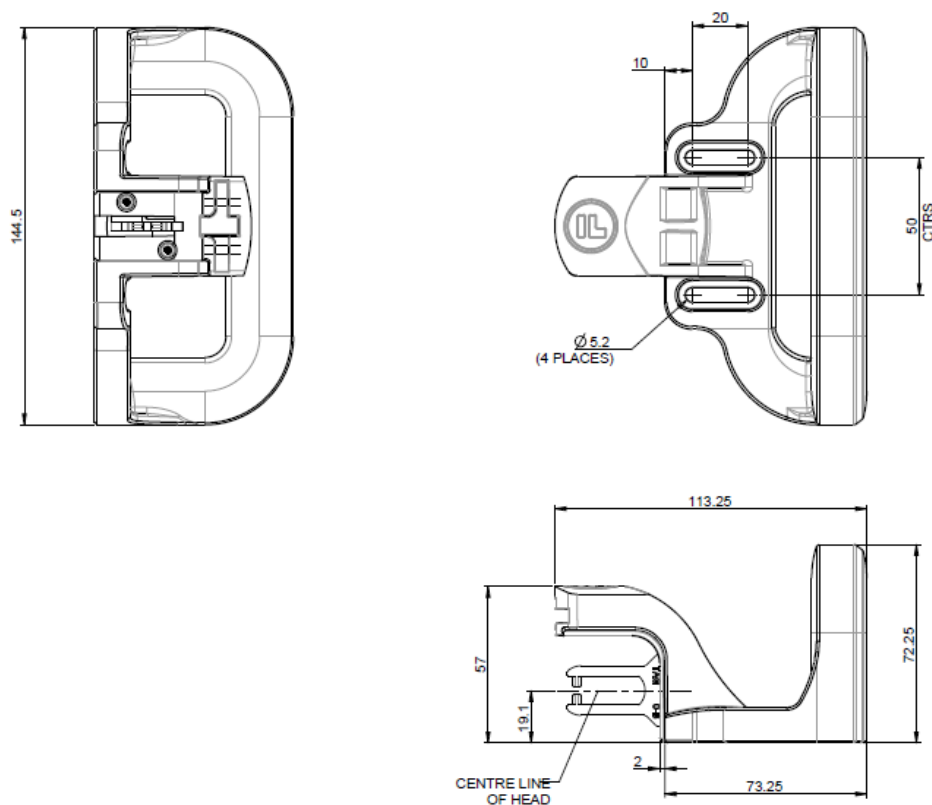


Actuators

Dimensional Drawing - TAH

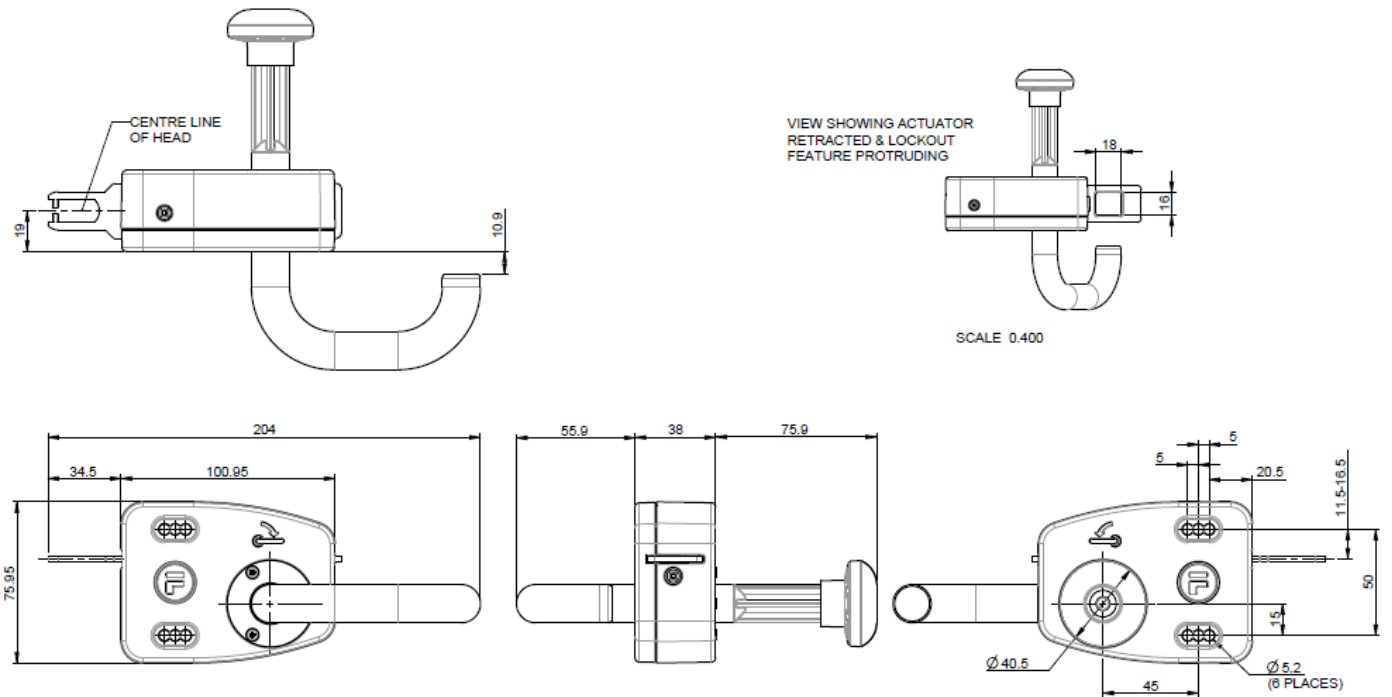


Dimensional Drawing - TAS



Actuators

Dimensional Drawing - TEH



Dimensional Drawing - TEN

