
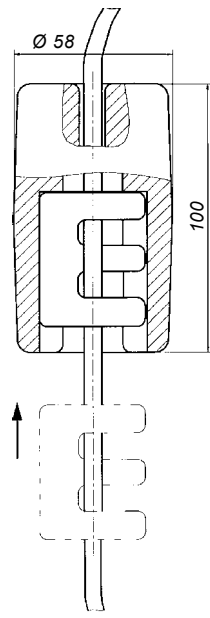
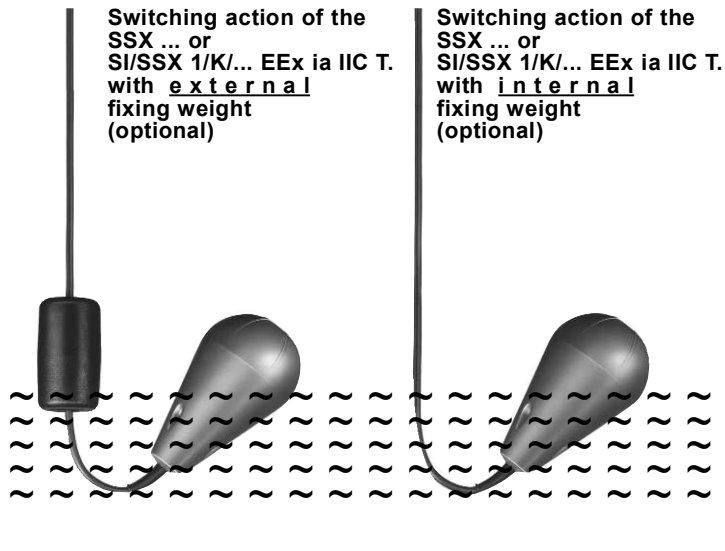


# Jola-SSX ... and SI/SSX 1/K/... EEx ia IIC T6 floating switches

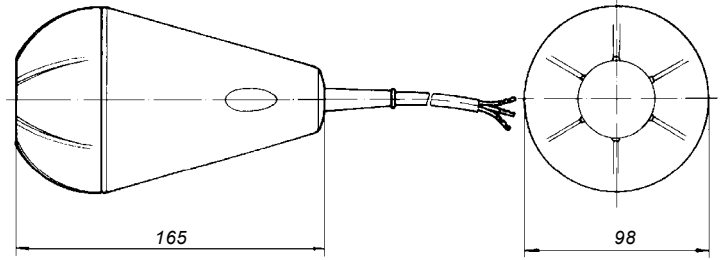
These floating switches are designed for **mounting from the side or from the top**.  
The cable must be fixed at the required height using a stuffing gland, for example, in the case of mounting from the side or using a fixing weight, for example, in the case of mounting from the top.

**These units are not suitable for use in turbulent liquids (e.g. in stirrer tanks).**

Technical data	SSX 3/K/... SSX/S3/K/...	SSX 1/K/... SSX/S1/K/...	SI/SSX 1/K/... EEx ia IIC T. 
Application	for standard applications between AC/DC 24 V and AC/DC 250 V	for light current applications between AC/DC 1 V and AC/DC 42 V	for use in intrinsically safe circuits in potentially explosive atmospheres - please refer to the Certificate of Conformity INERIS 92.C 5070 X and its addenda for detailed information
Switching voltage	between AC/DC 24 V and AC/DC 250 V	between AC/DC 1 V and AC/DC 42 V	
Switching current	between AC 20 mA and AC 3 (1) A or between DC 20 mA and DC 100 mA max. 350 VA	between AC 0,1 mA and AC 100 (50) mA or between DC 0,1 mA and DC 10 mA max. 4 VA	
Switching capacity			
Colour of float	green	red	blue
Operating principle	ball-operated microswitch	potential-free changeover contact	potential-free changeover contact
Options for safety applications	—	diode(s) or resistor(s) on request	diode(s) or resistor(s) on request
Recommended application	—	via Jola KR .. contact protection relay	via Jola KR 5/Ex [EEx ia] IIC contact protection relay
Float material		PP	
Seal material		FPM (Viton)	
Float protection class		IP 68	
Temperature application range		see page 4	
Pressure resistance		max. 10 metres head of water (1 bar) at + 20° C	
Connecting cable		see page 4	
Connecting cables application range			<ul style="list-style-type: none"> <li>- <b>black or blue PVC cable:</b> for water, used water, slightly aggressive liquids, oils without aromatic additives, fuel oil and diesel fuel with a specific gravity of <math>d \geq 0.8</math></li> <li>- <b>grey A05RN-F cable:</b> for water, used water and slightly aggressive liquids with a specific gravity of <math>d \geq 0.8</math></li> <li>- <b>black Hypalon cable:</b> for water and certain acids and lyes with a specific gravity of <math>d \geq 0.8</math></li> <li>- <b>white PTFE cable:</b> for all liquids in which the float material PP and the seal material FPM are resistant, with a specific gravity of <math>d \geq 0.8</math></li> </ul>
Connecting cable length		2 metres, other cable lengths on request.	
Optional extras		<p><b>When ordering please always state the desired cable length and cable type.</b></p> <ul style="list-style-type: none"> <li>- <b>external fixing weight made of cast steel</b> for liquids with a specific gravity of <math>d \geq 0.8</math> (not for the PTFE cable)</li> <li>- <b>external fixing weight made of stainless steel</b> for liquids with a specific gravity of <math>d \geq 0.8</math> (not for the PTFE cable)</li> <li>- <b>internal fixing weight (integrated in the float)</b> for liquids with a specific gravity between <math>d = 0.95</math> and <math>d = 1.05</math></li> </ul>	

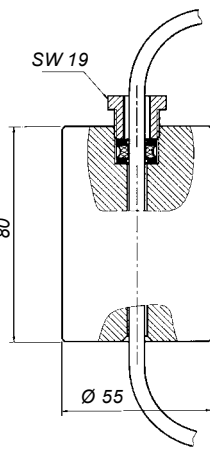
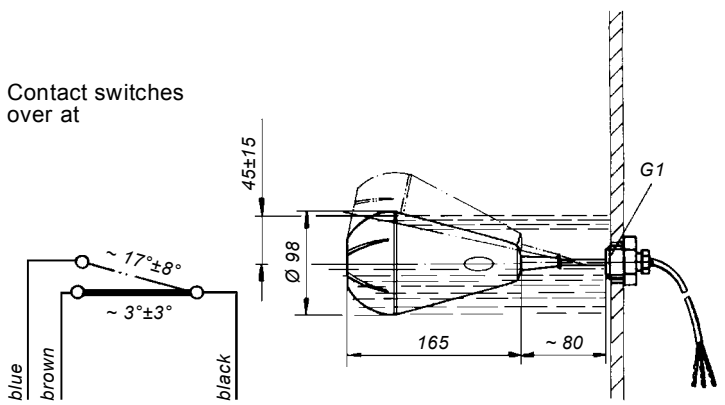


External fixing weight made of cast steel (optional)



Switching action in liquids with a specific gravity of  $d = 1$

Contact switches over at



External fixing weight made of stainless steel (optional)