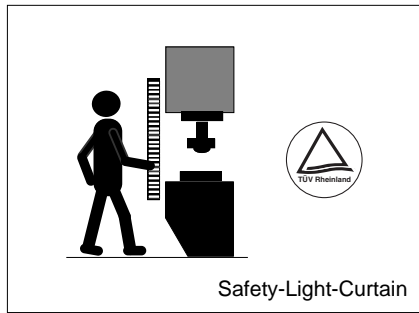
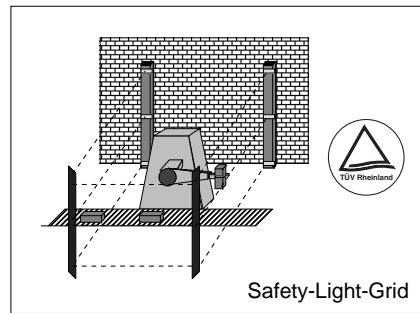


Gamme de Fabrication

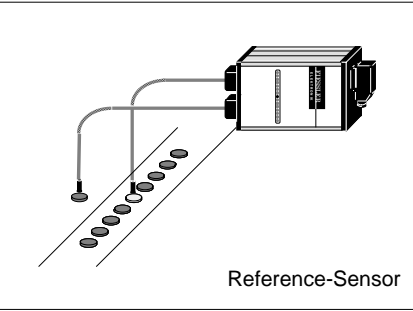
Fiessler Elektronik
 Kastellstr. 9 D-73734 Esslingen
 Telefon: 0711 / 91 96 97 - 0
 Telefax: 0711 / 91 96 97 - 50



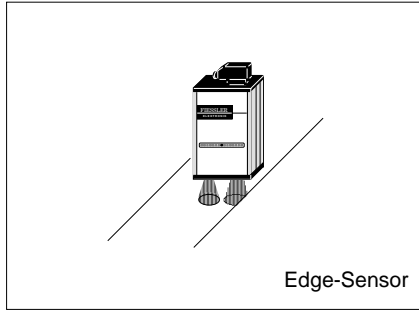
Safety-Light-Curtain



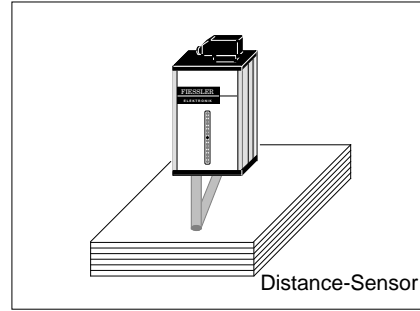
Safety-Light-Grid



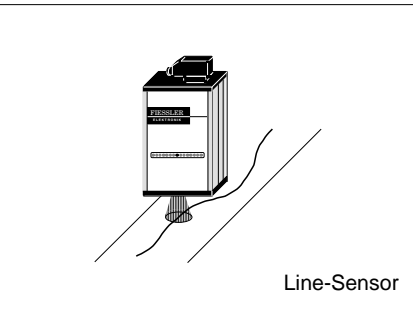
Reference-Sensor



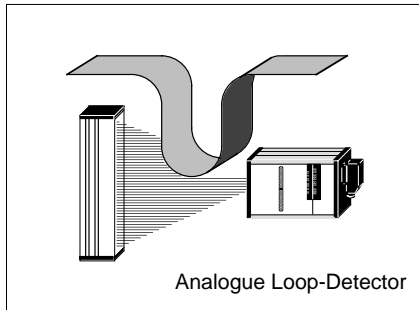
Edge-Sensor



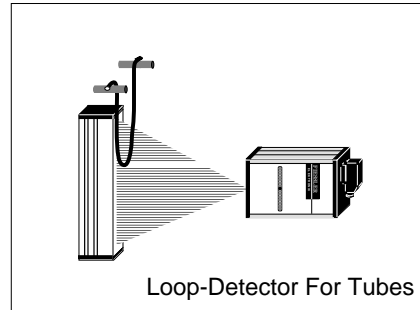
Distance-Sensor



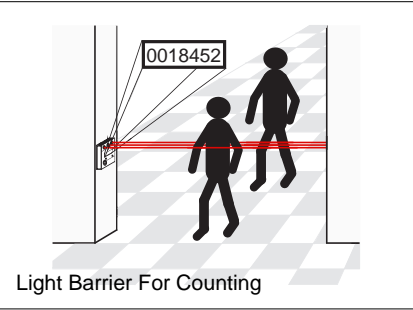
Line-Sensor



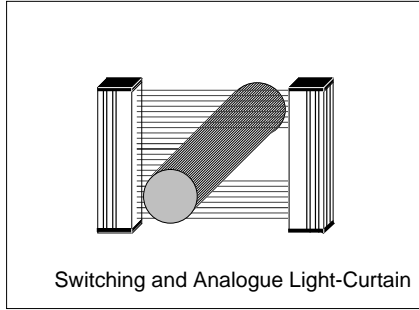
Analogue Loop-Detector



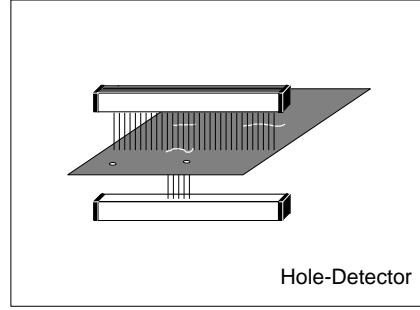
Loop-Detector For Tubes



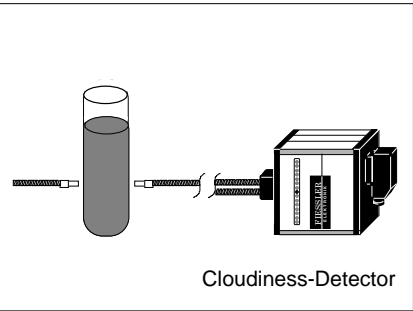
Light Barrier For Counting



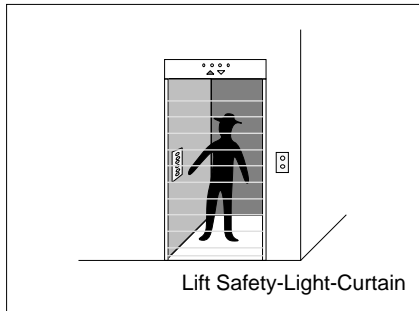
Switching and Analogue Light-Curtain



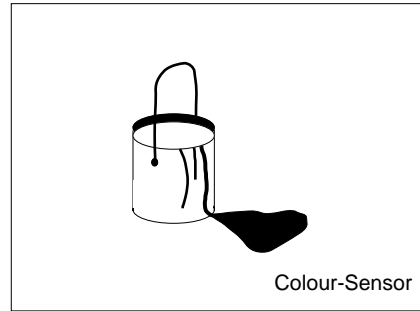
Hole-Detector



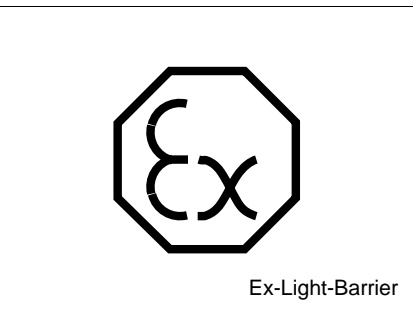
Cloudiness-Detector



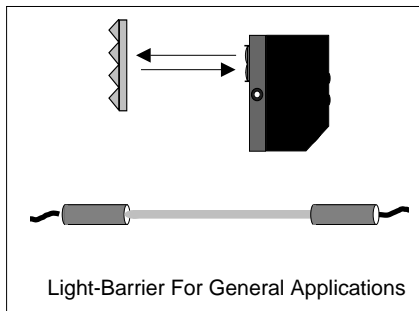
Lift Safety-Light-Curtain



Colour-Sensor



Ex-Light-Barrier



Light-Barrier For General Applications

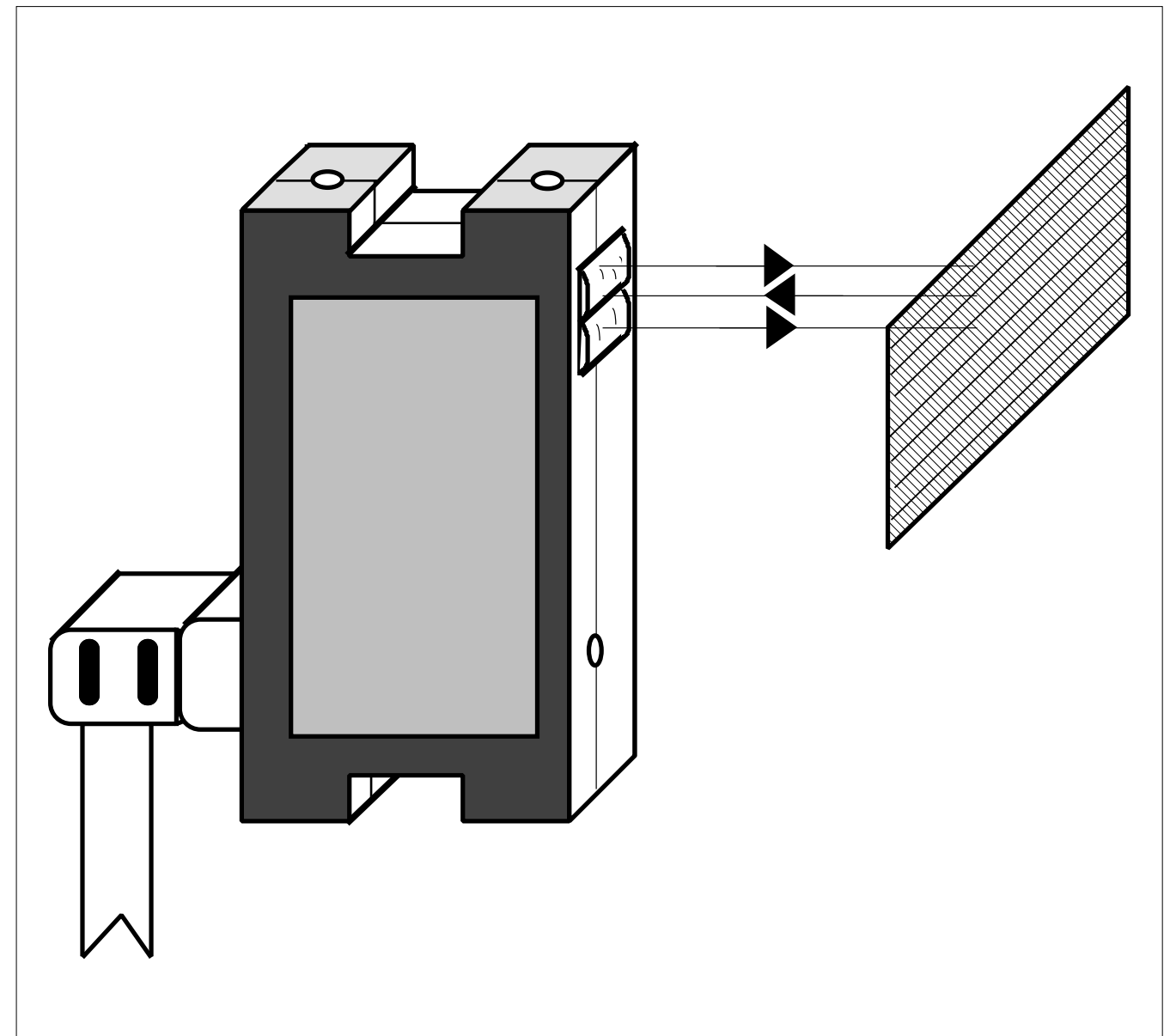


Your Application

FISSLER ELEKTRONIK

Appliance Description

Reflex light barriers GR...



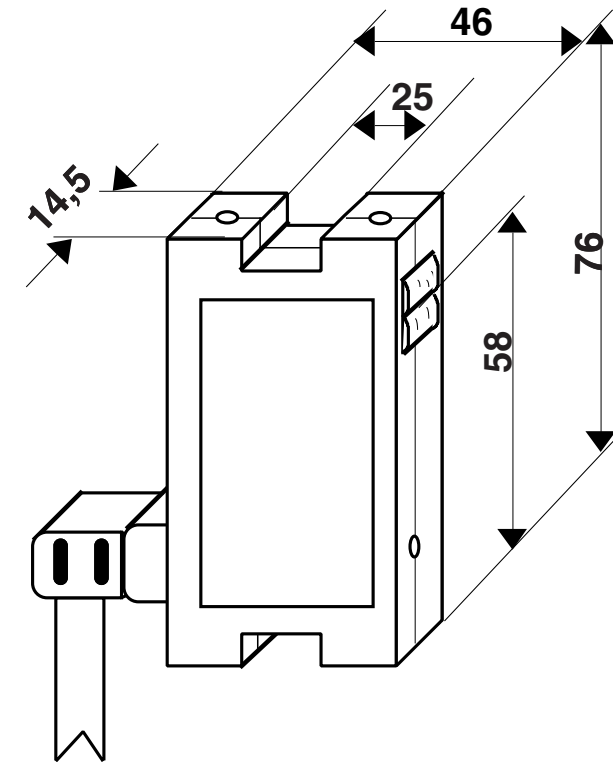
- **Narrow design**
- **Large detection range up**
- **Flexible application**
- **Variable installation**
- **Integrated switching unit**



Doku Nr. 978 Stand 25.03.98 / GF

Type:	GR 3 230	GR 5 24	GR 5 24 T	GR 50 24	GR 100 24	GR 150 24
Max. detection range up with reflector 100 x 100:	3 m	5 m	5 m			
Max. detection range up with 10 x 24:				20 - 80 mm	75 - 125 mm	80- 200 mm
Connection voltage:	230 V AC	24 V DC	24 V DC	24 V DC	24 V DC	24 V DC
No-load current:	5 mA	40 mA	40 mA	40 mA	40 mA	40 mA
Type of light:	infrared	infrared	infrared	infrared	infrared	infrared
Pulse frequency:	50 Hz	1 kHz	1 kHz	15 kHz	15 kHz	15 kHz
Output:	Relay	Relay	Transistor	Transistor	Transistor	Transistor
Max. tension :	250 V AC	30 V DC	30 V DC	30 V DC	30 V DC	30 V DC
Short circuit proof:	no	no	yes	yes	yes	yes
NPN or PNP:			yes	yes	yes	yes
Max. switching frequency:	10 Hz	20 Hz	500 Hz	1 kHz	1 kHz	1 kHz
Operation indication:	yes	yes	yes	yes	yes	yes
Cable connection:	Fixed cable	Fixed cable	plug-in cable	plug-in cable	plug-in cable	plug-in cable
Housing:	PA 6	PA 6	PA 6	PA 6	PA 6	PA 6
Operation ambient temperature :	0°C - 50°C	0°C - 50°C	0°C - 50°C	0°C - 50°C	0°C - 50°C	0°C - 50°C
Protection category:	IP 60	IP 60	IP 60	IP 60	IP 60	IP 60
Switching unit:	integrated	integrated	integrated	integrated	integrated	integrated
Weight:	150 g	150 g	50 g	50 g	50 g	50 g
Application:				for example: codification system by reflecting	for example: codification system by reflecting	for example: codification system by reflecting

Dimensions:



Fastening:

Standard equipment, with holder of fastening to square profile, optional available with universal fastening angle: