

Pluto gateway

GATE-P2

Use:

Bi-directional status information from the Pluto safety PLC

For Profibus

Features:

network

Can be located anywhere in the databus

Common interface with Pluto

Profibus DP

DeviceNet

CANopen

Profinet

Ethernet/IP

Modbus TCP



PLC function blocks

The Pluto gateway is a compact unit mounted on a DIN rail, and can be connected anywhere in a Pluto safety bus. The unit has a common interface with Pluto, i.e. the same cabling, and the Pluto Manager PC program can be used for servicing and where necessary programming. Normally, however, all the settings are made via a DIP switches, which means that programming tools are not required to put the gateway itself into operation.

blocks which, via a Pluto gateway, send and receive data from the supervisory system.

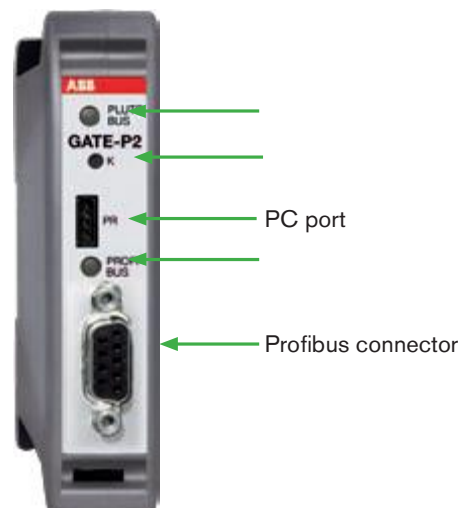
Data from Pluto

system.

Data to Pluto

can be transmitted. Function blocks for these functions are available in Pluto Manager.

ceive and send information to the Pluto system. The function blocks are supplied as open units with full access for the customer to change and add functions. These function



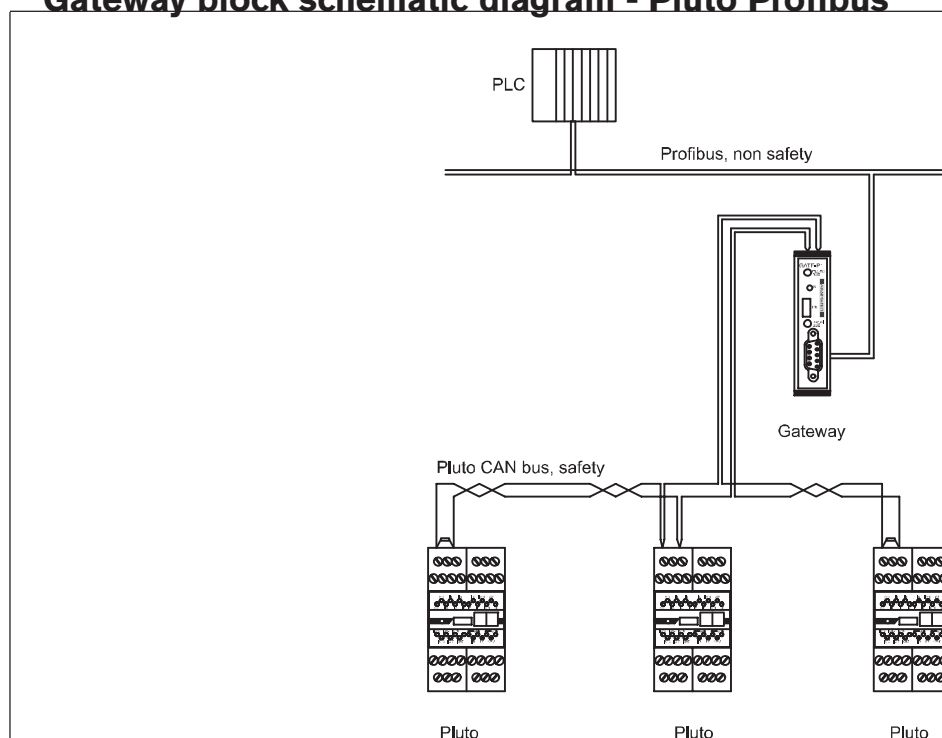
1
2
3
4
5
6
7
8
9
10
11
12
13
14

Technical data - GATE-P2	
Manufacturer:	
Article number/ordering data:	
Databuses:	(isolated)
Pluto safety bus speeds:	and 1000 kbit/s (automatic speed detection)
PROFIBUS speed:	Up to 12 Mbit/s (automatic speed detection)
PROFIBUS address:	
PROFIBUS version:	
Connections:	safety bus (included) V DC (included)
Status indication:	Pluto safety bus status
Operating voltage:	
Current at 24 V:	< 100 mA (recommended fuse 6 A)
Dimensions (w x h x d):	
Installation:	
Operating temperature (ambient):	
Temperature, transport and storage:	
Humidity:	
Enclosure classification:	

101 mm

22,5 mm

Gateway block schematic diagram - Pluto Profibus



Pluto gateway

GATE-D2

Use:

Bi-directional status information from the Pluto safety PLC

For DeviceNet and Pluto bridge

Features:

network

Can be located anywhere in the databus

Common interface with Pluto

Profibus DP

DeviceNet

CANopen

Profinet

Ethernet/IP

Modbus TCP



The Pluto gateway is a compact unit mounted on a DIN rail, and can be connected anywhere in a Pluto safety bus. The unit has a common interface with Pluto, i.e. the same cabling, and the Pluto Manager PC program can be used for servicing and where necessary programming. Normally, however, all the settings are made via a DIP switches, which means that programming tools are not required to put the gateway itself into operation.

blocks which, via a Pluto gateway, send and receive data from the supervisory system.

Data from Pluto

via DeviceNet "explicit" messages.

Data to Pluto

transmitted (via DeviceNet "implicit" or "explicit" messages). Function blocks for these commands are available in Pluto Manager.

Pluto bridge

bridge when it is required to divide a Pluto safety bus into

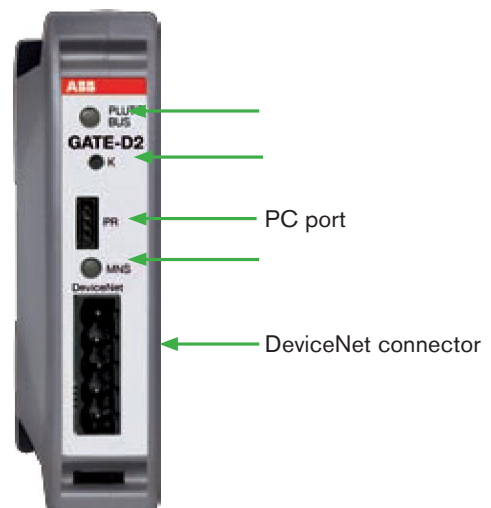
several sections. This is particularly useful when long data bus cables are needed.

There is also a built-in filter function which makes it possible to block any data that is not required for use on the other side of the bridge, which reduces the databus loading in the other sections and thereby permits longer data bus cables.

ABB Robotics IRC5

has support for integration into an ABB

site.



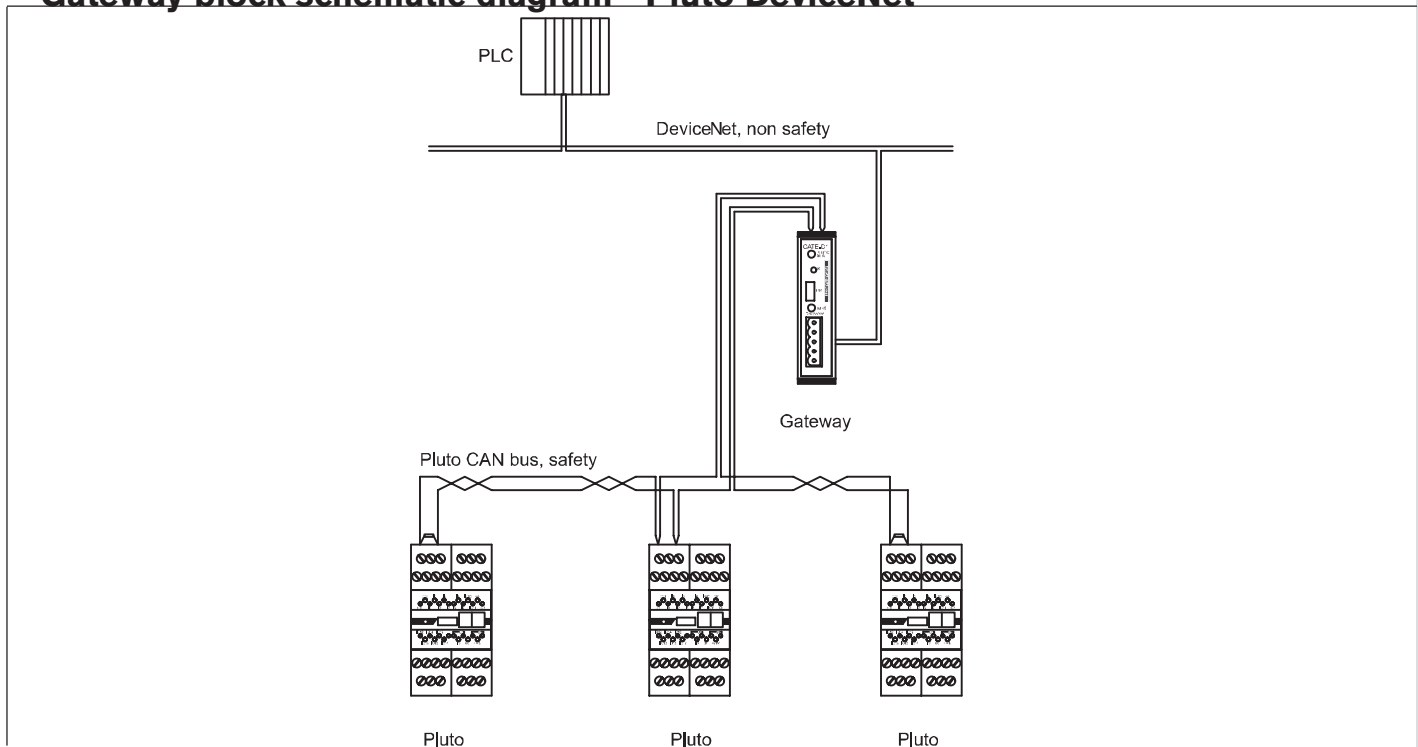
1
2
3
4
5
6
7
8
9
10
11
12
13
14

Technical data - GATE-D2	
Manufacturer	
Article number/ordering data:	
Databuses:	
Pluto safety bus speeds:	and 1000 kbit/s (automatic speed detection)
DeviceNet speeds:	125, 250 and 500 kbit/s (set via DIP switch)
DeviceNet address:	
DeviceNet Version:	
Connections:	safety bus (included) DeviceNet (included) V DC (included)
Status indications:	Pluto safety bus status
Operating voltage:	
Current at 24 V:	< 100 mA (recommended fuse 6 A)
Dimensions (w x h x d):	
Installation:	
Operating temperature (ambient):	
Temperature, transport and storage:	
Humidity:	
Enclosure classification:	

101 mm

22,5 mm

Gateway block schematic diagram - Pluto DeviceNet



Pluto gateway

GATE-C2

Use:

Bi-directional status information from the Pluto safety PLC

For CANopen and Pluto-bridge

Features:

network

Can be located anywhere in the databus

Common interface with Pluto

Profibus DP

DeviceNet

CANopen

Profinet

Ethernet/IP

Modbus TCP



The Pluto gateway is a compact unit mounted on a DIN rail, and can be connected anywhere in a Pluto safety bus. The unit has a common interface with Pluto, i.e. the same cabling, and the Pluto Manager PC program can be used for servicing and where necessary programming. Normally, however, all the settings are made via a DIP switches, which means that programming tools are not required to put the gateway itself into operation.

blocks which, via a Pluto gateway, send and receive data from the supervisory system.

Data from Pluto

the supervisory system.

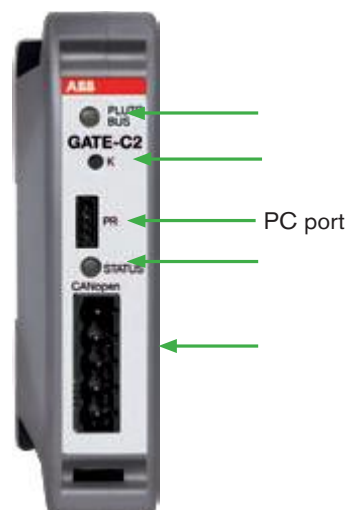
Data to Pluto

blocks for these commands are available in Pluto Manager.

Pluto bridge

bridge when it is required to divide a Pluto safety bus into several sections. This is particularly useful when long data bus cables are needed.

sible to block any data that is not required for use on the other side of the bridge, which reduces the databus loading in the other sections and thereby permits longer data bus cables.



1
2
3
4
5
6
7
8
9
10
11
12
13
14

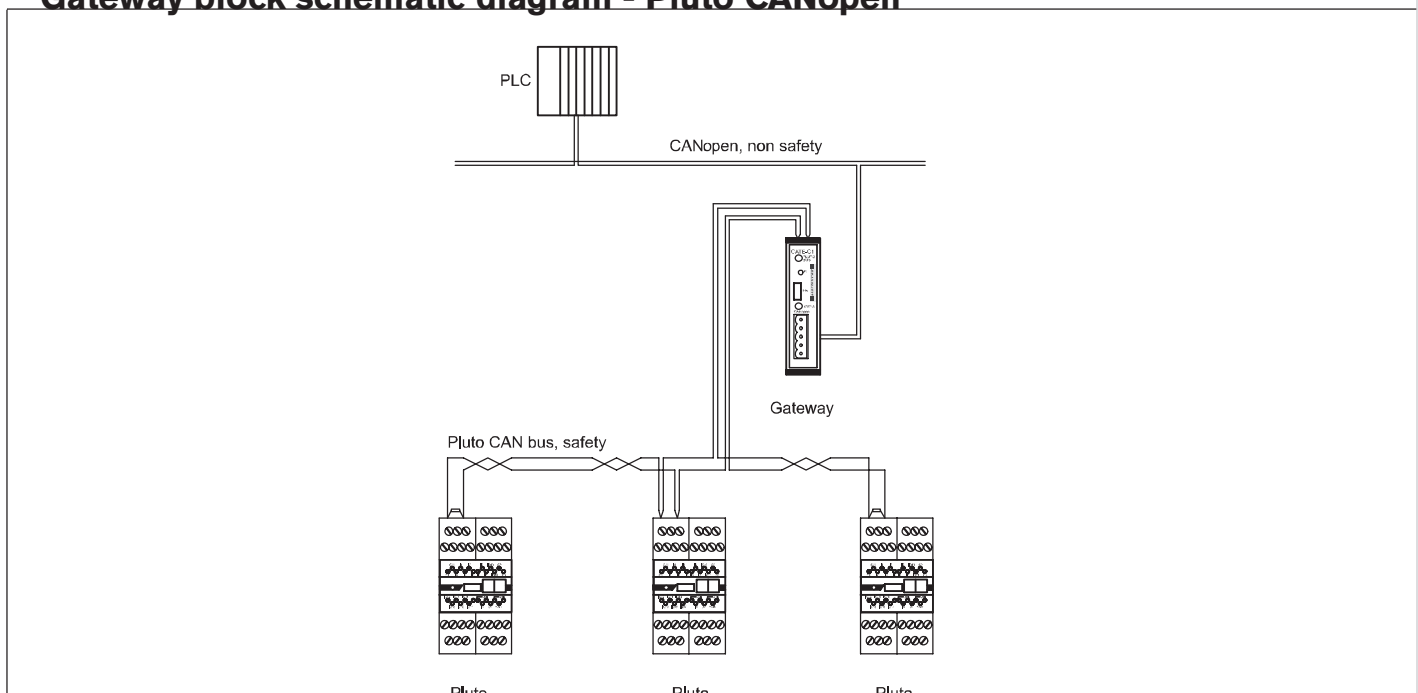
Technical data - GATE-C2	
Manufacturer	
Article number/ordering data:	
Databuses:	
Pluto safety bus speeds:	and 1000 kbit/s (automatic speed detection)
CANopen speeds:	125, 250 and 500 kbit/s (set via DIP switch) 10, 20, 50, 100, 125, 250, 500,
CANopen address:	
CANopen version:	"Version 4.02 of the CiA Draft
Connections:	safety bus (included) CANopen (included) V DC (included)
Status indications:	Pluto safety bus status CANopen status indication via
Operating voltage:	
Current at 24 V:	< 100 mA (recommended fuse 6 A)
Dimensions (w x h x d):	

101 mm

22,5 mm

Installation:	
Operating temperature (ambient):	
Temperature, transport and storage:	
Humidity:	
Enclosure classification:	

Gateway block schematic diagram - Pluto CANopen



Pluto gateway

GATE-E2

Use:

Bi-directional status information from the Pluto safety PLC

Profinet, Ethernet/IP, Modbus TCP

Features:

network

Can be located anywhere in the databus

Common interface with Pluto

Profibus DP

DeviceNet

CANopen

Profinet
Ethernet/IP
Modbus TCP



Data to Pluto

The Pluto gateway is a compact unit mounted on a DIN rail, and can be connected anywhere in a Pluto safety bus. The unit has a common interface with Pluto, i.e. the same cabling, and the Pluto Manager PC program can be used for servicing and where necessary programming. Normally, however, all the settings are made via a DIP switches, which means that programming tools are not required to put the gateway itself into operation.

registers can be transmitted. Function blocks for these functions are available in Pluto Manager.

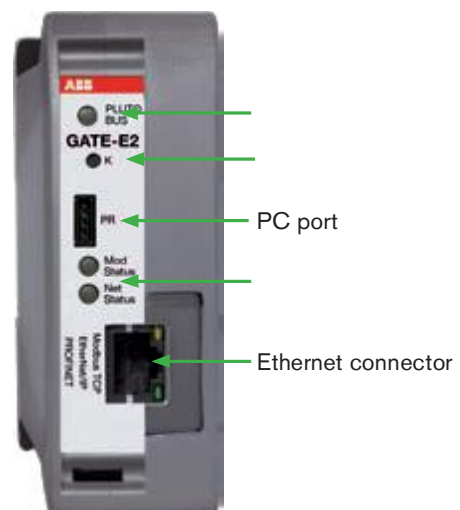
blocks which, via a Pluto gateway, send and receive data from the supervisory system.

Protocol

that uses TCP/IP.

server and a terminal server.

Data from Pluto



Technical data - GATE-E2	
Manufacturer	
Article number/ ordering data:	
Buses:	Profinet (isolated) Ethernet/IP (isolated) Modbus TCP (isolated)
Pluto safety bus speeds	and 1000 kbit/s (automatic speed detection)
Ethernet	10/100 Mbit/s Half and full duplex
Ethernet protocol	Note that certain combinations of server protocols cannot be used simultaneously. configuration
EtherNet/IP	
PROFINET	
Modbus TCP	According to the Modbus organisation, version 1.0b (approx. 20 messages per second).
Binary server (TCP/IP)	send status from/to the Pluto system.

Web server	For simple sharing of IP addresses.
Terminal server (TCP/IP)	commands as via the serial programming port in the unit.
IP address	via programming port.
Gateway configuration	Takes place via EtherNet/IP, via the binary TCP/IP server.
Connections	safety bus (included) Front, Ethernet connection via FTP) V DC (included)
Status indications	Pluto safety bus status bus) Ethernet module status Ethernet network status
Operating voltage	
Current at 24 V	< 150 mA (recommended fuse 6 A)
Dimensions (w x h x d):	
Installation	
Operating temperature (ambient)	
Temperature, transport and storage	
Humidity	
Enclosure classification	

Gateway block schematic diagram - Pluto Ethernet

