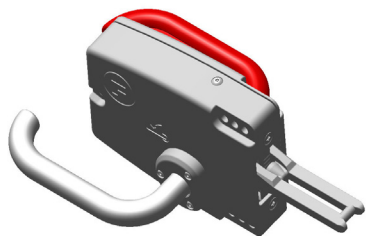
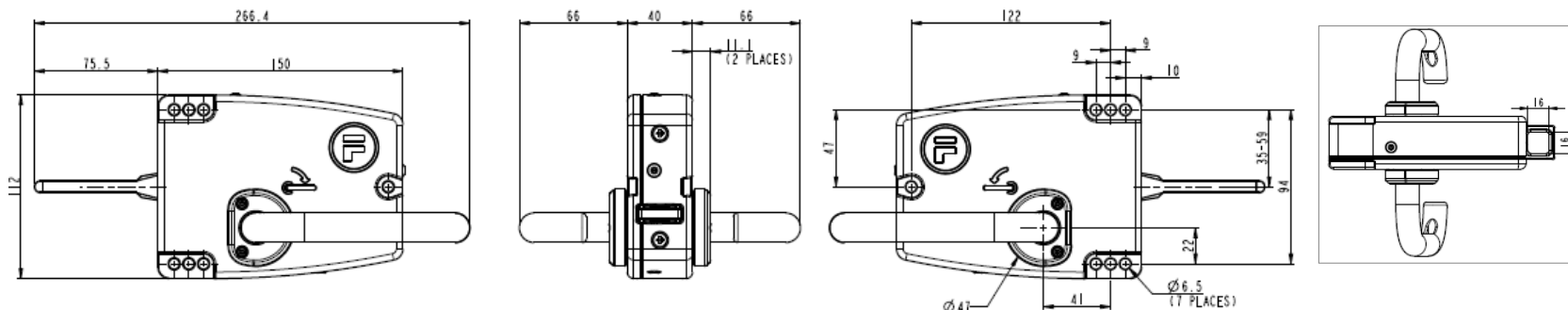


Figure 1



## GENERAL

The Handle can be used with Fortress' modular amGard range, incorporating an Auto Head. It can be used on hinged or sliding doors. The Handle is particularly useful for applications using small radius, hinged doors. The Handle is available in two basic variants: Stainless steel or Zinc bodies. Both feature Emergency Release and built-in lock-outs.

## IMPORTANT

This product is designed for use according to the installation and operating instructions enclosed. It must be installed by competent and qualified personnel who have read and understood the whole of this document prior to commencing installation. Any modification to or deviation from these instructions invalidates all warranties. Fortress Interlocks Ltd accepts no liability whatsoever for any situation arising from misuse or mis-application of this product. This product is not to be used as a Mains Isolator or Emergency Stop. The unit is a component to be added to a permanent electrical installation meeting the requirements of the applicable IEC/EN standards.

**IF YOU HAVE ANY QUESTIONS OR QUERIES OF ANY NATURE PLEASE CONTACT THE SUPPLIER WHO WILL BE PLEASED TO ADVISE AND ASSIST.**

## TOOLS AND FIXINGS REQUIRED

- 3 x M6 Screws
- 3 x M6 Nuts (Optional)
- 3 x M6 Washers

## MOUNTING

- 1 Mount the unit only in its correctly assembled condition: i.e. Ensure unit is assembled for the correct handing required for the particular installation.
- 2 Locate the Handle so that it is within easy reach.
- 3 The Handle must be fitted to a flat panel, permanently attached to the guard.
- 4 Machine the panel using the dimensions from figure 1.
- 5 Mount the unit to the panel using 3 M6 screws nuts and washers, as applicable.
- Mount the interlock only in the correctly assembled condition.
- 6 Locate the interlock so that operation of the auxiliary unlocking mechanism, and inspection and replacement of the interlock are possible.

## FUNCTIONALITY

The Handle is intended to be operated from outside the guarded area. When the machine is in operation the guard is closed and the Handle mechanism is extended so that the tongue is in the Auto Head. To open the door, any locking feature of the host unit must be unlocked (If appropriate) before the handle can be turned, and the door opened.

In the case where someone has been shut inside the guarded area, then there is an Emergency handle that can be turned to open the door. (Important Note: in order to achieve this, any locking means must be dealt with separately from this product)

The Internal Emergency handle cannot then be used to re-lock the door.

## TESTING

The complete guard installation must be tested against the requirements of the host unit. Refer to the AutoStop/Lok installation instructions. Make sure that the gap around the perimeter of the guard, when closed (Safety Circuits closed), does not exceed the limits specified in EN294 and EN953.

## PROTECTION AGAINST ENVIRONMENTAL INFLUENCES

A lasting and correct safety function requires that the unit be protected against the ingress of foreign bodies such as swarf, sand, blasting shot, etc.

The unit is to be mounted away from the machine, or by the use of anti-vibration mountings, in order to avoid the effects of vibration, shock and bump.

Never operate the interlock without the lid being securely fitted to the body.

## SETUP

### MECHANICAL FUNCTION TEST (UNPOWERED)

Insert the key/tongue into the head. It must lock in position.

Use the override key and remove the interlock key/tongue from the head.

Attach a new override seal label onto the override key hole.

### SERVICE AND INSPECTION

Regular weekly inspection of the following is necessary to ensure trouble-free, lasting operation:

- Secure mounting of components
- Debris and wear

There are no user serviceable parts in the EH Handle. If damage or wear is found with an assembly, the whole assembly must be replaced.

The complete interlock must be replaced after 1 million switching operations.

## DISPOSAL

This interlock does not contain any certified hazardous materials so should be disposed of as industrial waste.

## LIABILITY COVERAGE IS VOIDED UNDER THE FOLLOWING CONDITIONS:

- if these instructions are not followed.
- non-compliance with safety regulations.
- installation and electrical connection not performed by authorised personnel.
- non-implementation of functional checks.

## ENVIRONMENTAL SPECIFICATION

Environment Type	Indoor
Max. Altitude	2000m
Ambient Temperature	-5°C to +40°C
Maximum Relative Humidity	80% @ ≤31°C 50% @ 40°C.

**The manufacturer reserves the right to modify the design at any time and without notice. This guide should be retained for future refer.**