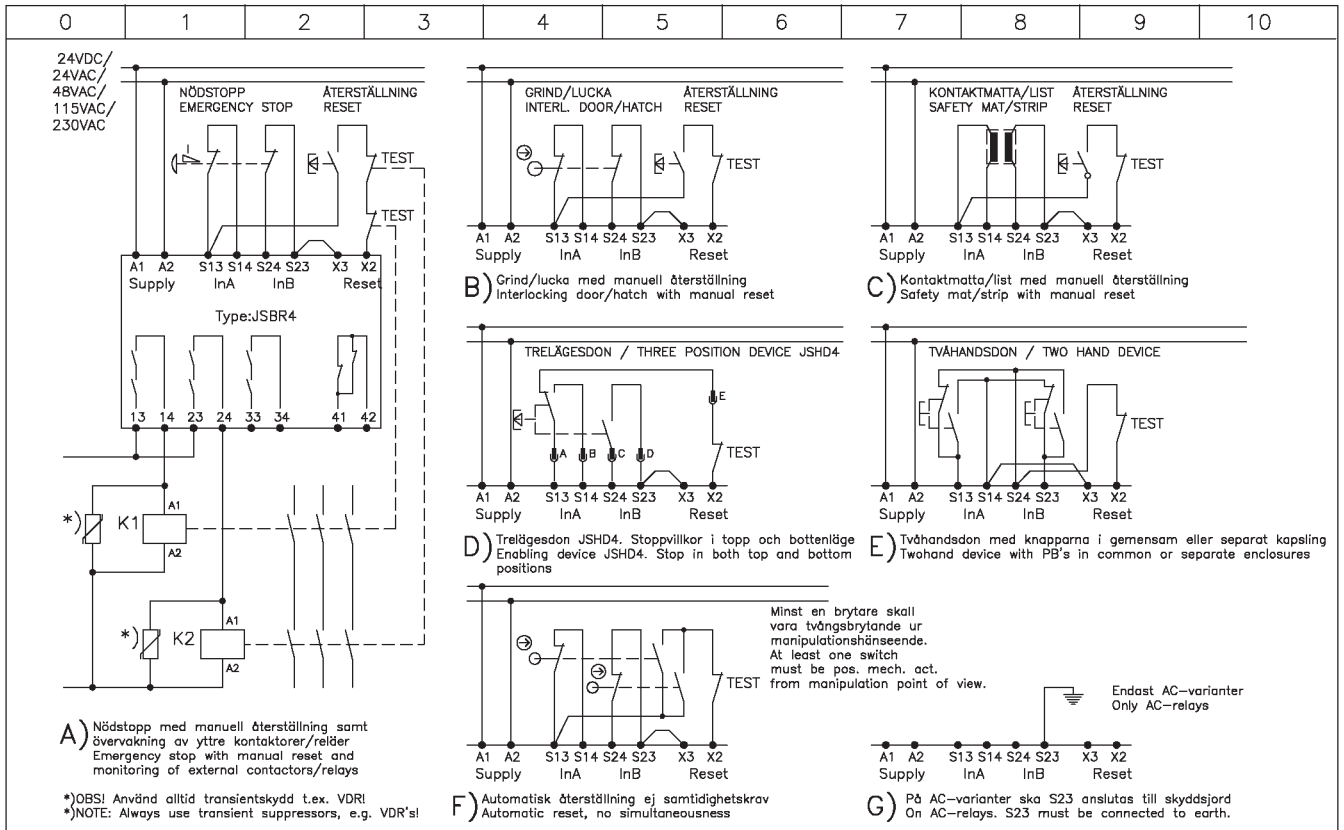


HA5400A Connection examples JSBR4



A) Nödstop med manuell återställning samt övervakning av yttre kontaktorer/reläer
Emergency stop with manual reset and monitoring of external contactors/relays

*OBS! Använd alltid transientkydd t.ex. VDR!
*NOTE: Always use transient suppressors, e.g. VDR's!

B) Grind/lucka med manuell återställning
Interlocking door/hatch with manual reset

D) Trelägesdon JSHD4. Stoppvillkor i topp och bottenläge
Enabling device JSHD4. Stop in both top and bottom positions

F) Automatisk återställning ej samtidigthetskrav
Automatic reset, no simultaneousness

C) Kontaktmatta/list med manuell återställning
Safety mat/strip with manual reset

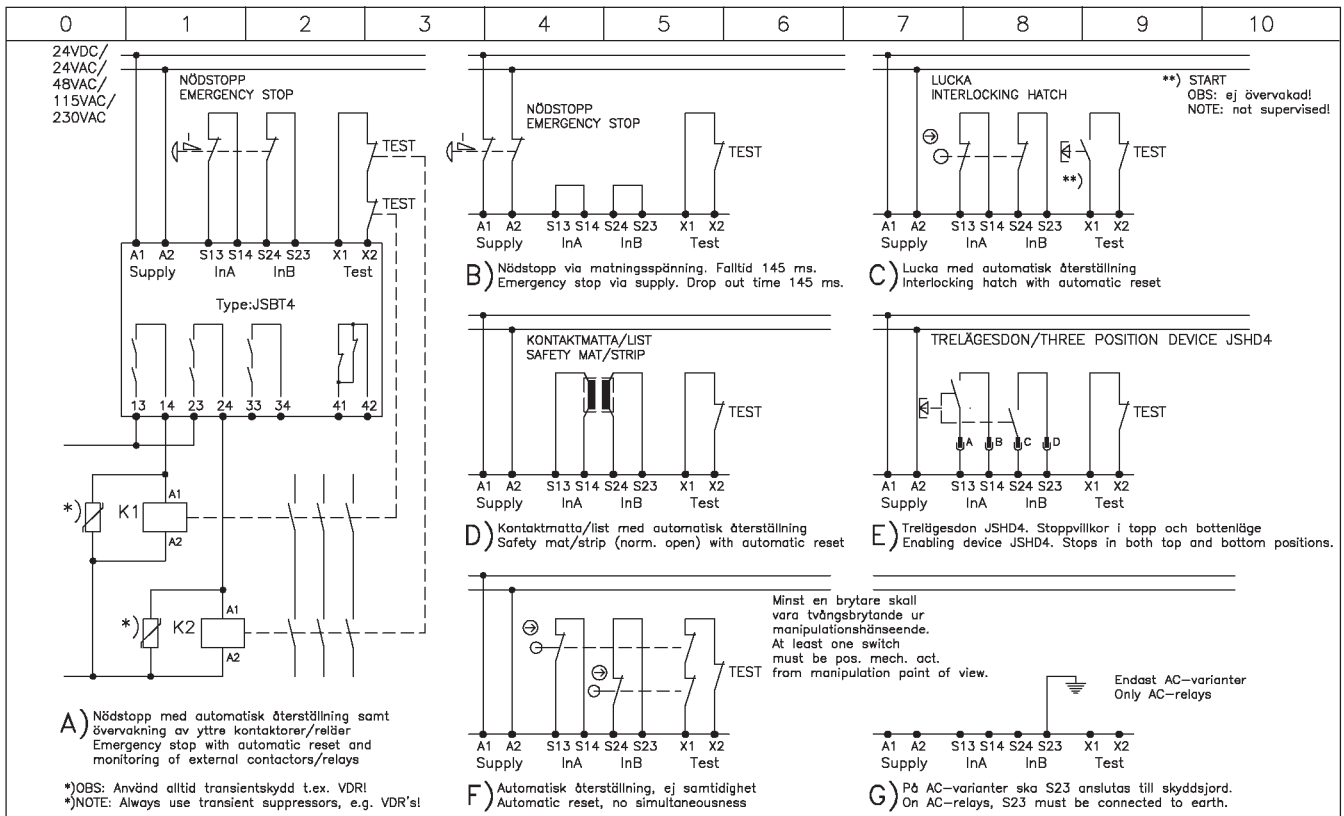
E) Tvåhandsdon med knapparna i gemensam eller separat kapsling
Twohand device with PB's in common or separate enclosures

G) På AC-varianter ska S23 anslutas till skyddsjord
On AC-relays, S23 must be connected to earth.

Anmärkning Remark	Konstr Design	Godk Appr	Datum Date	Blad Sheet
ANSLUTNINGSEXEMPEL JSBR4 CONNECTION EXAMPLES JSBR4	JS		990120	1
	Ritad Drawn	Sidor Pages	Ritn nr Drawing no	Forts Cont
	JS	1	HA5400A	-

It is the user's responsibility to ensure that all control devices are correctly installed, cared for and operated to meet all applicable European, national and local codes/regulations. Specifications subject to change without notice.

HA6400A Connection examples JSBT4



A) Nödstop med automatisk återställning samt övervakning av yttre kontaktorer/reläer
Emergency stop with automatic reset and monitoring of external contactors/relays

*OBS: Använd alltid transientkydd t.ex. VDR!
*NOTE: Always use transient suppressors, e.g. VDR's!

B) Nödstop via matningsspänning. Falltid 145 ms.
Emergency stop via supply. Drop out time 145 ms.

D) Kontaktmatta/list med automatisk återställning
Safety mat/strip (norm. open) with automatic reset

F) Automatisk återställning, ej samtidigthetskrav
Automatic reset, no simultaneousness

C) Lucka med automatisk återställning
Interlocking hatch with automatic reset

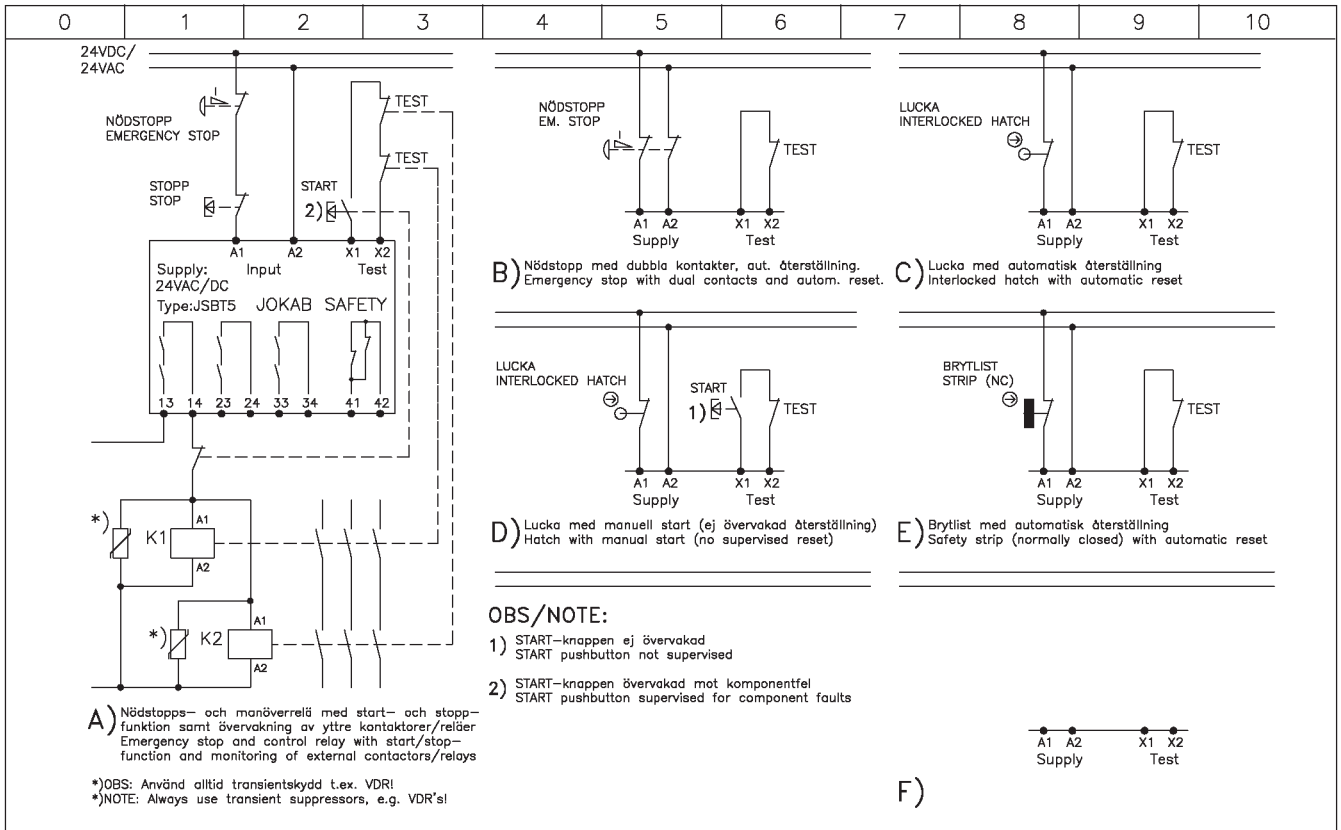
E) Trelägesdon JSHD4. Stoppvillkor i topp och bottenläge
Enabling device JSHD4. Stops in both top and bottom positions.

G) På AC-varianter ska S23 anslutas till skyddsjord.
On AC-relays, S23 must be connected to earth.

Anmärkning Remark	Konstr Design	Godk Appr	Datum Date	Blad Sheet
ANSLUTNINGSEXEMPEL JSBT4 CONNECTION EXAMPLES JSBT4	JS		991206	1
	Ritad Drawn	Sidor Pages	Ritn nr Drawing no	Forts Cont
	JS	1	HA6400A	-

It is the user's responsibility to ensure that all control devices are correctly installed, cared for and operated to meet all applicable European, national and local codes/regulations. Specifications subject to change without notice.

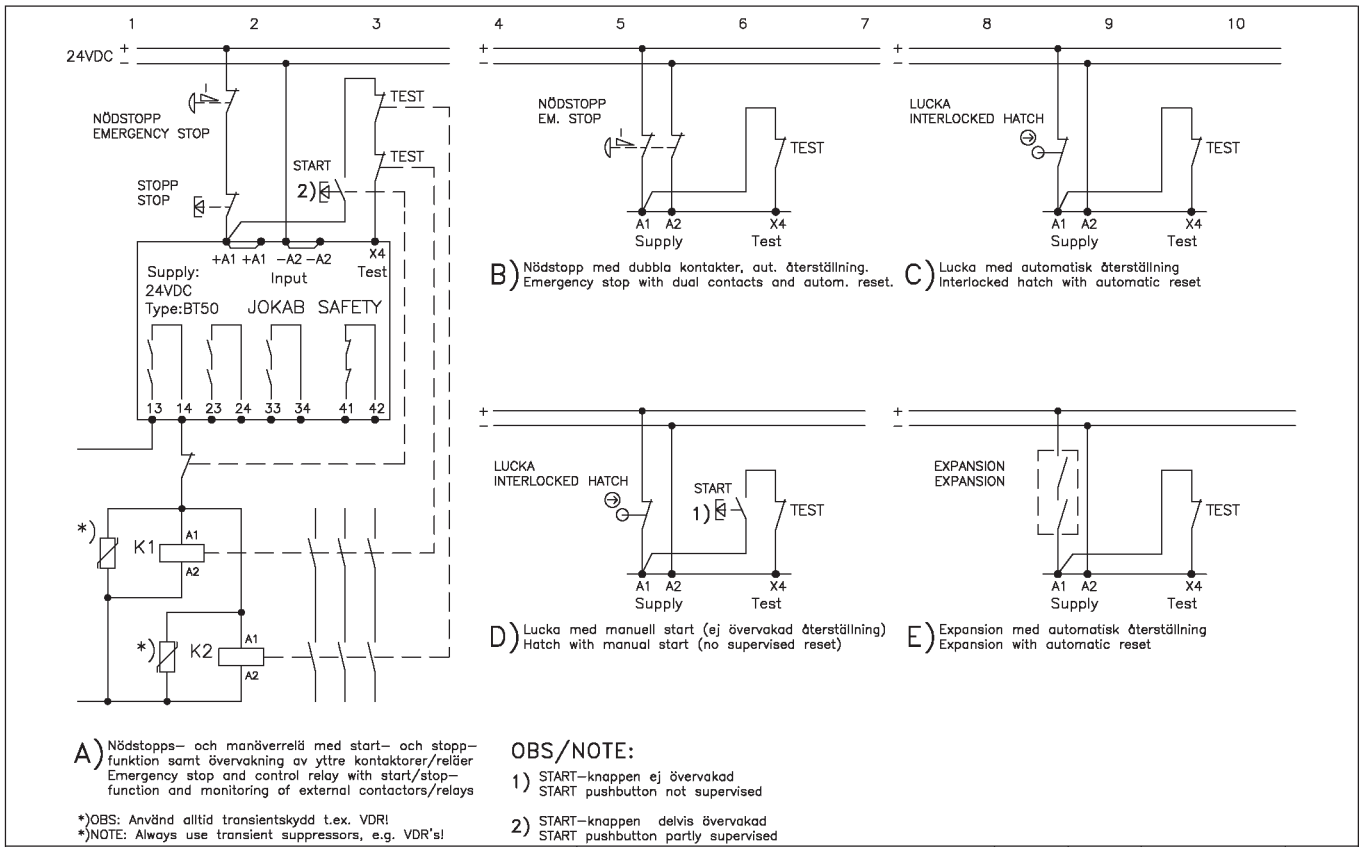
HA6500A Connection examples JSBT5



Anmärkning Remark ANSLUTNINGSEXEMPEL JSBT5 CONNECTION EXAMPLES JSBT5	≡ JOKAB SAFETY ≡				Konstr JS	Design JS	Godk JS	Appr JS	Datum 990120	Date 1	Blad 1	Sheet 1
					Ritad JS	Drawn JS	Sidor 1	Pages 1	Ritn nr HA6500A	Drawing no HA6500A	Forts -	Cont -

It is the user's responsibility to ensure that all control devices are correctly installed, cared for and operated to meet all applicable European, national and local codes/regulations. Specifications subject to change without notice.

HA6500B Connection examples BT50



Anmärkning Remark ANSLUTNINGSEXEMPEL BT50 CONNECTION EXAMPLES BT50	≡ JOKAB SAFETY ≡				Konstr JS	Design JS	Godk JS	Appr JS	Datum 20070823	Date 1	Blad 1	Sheet 1
					Ritad JS	Drawn JS	Sidor 1	Pages 1	Ritn nr HA6500B	Drawing no HA6500B	Forts -	Cont -

It is the user's responsibility to ensure that all control devices are correctly installed, cared for and operated to meet all applicable European, national and local codes/regulations. Specifications subject to change without notice.

HA6501B Connection examples BT50T

A) Nödstopps- och manöverrelä med start- och stopp-funktion samt övervakning av yttre kontaktorer/reläer
Emergency stop and control relay with start/stop-function and monitoring of external contactors/relays

B) Nödstopps med dubbla kontakter, aut. återställning.
Emergency stop with dual contacts and autom. reset.

C) Lucka med automatisk återställning
Interlocked hatch with automatic reset

D) Lucka med manuell start (ej övervakad återställning)
Hatch with manual start (no supervised reset)

E) Expansion med automatisk återställning
Expansion with automatic reset

F) BT50T Info utgång
BT50T Info. output

G) BT50T Fördröjningstider
BT50T Delay times

OBS/NOTE:
1) START-knappen ej övervakad
START pushbutton not supervised
2) START-knappen delvis övervakad
START pushbutton partly supervised

Anmärkning Remark		Konstr Design		Godk Appr		Datum Date		Blad Sheet	
ANSLUTNINGSEXEMPEL BT50T CONNECTION EXAMPLES BT50T		JS JS		JS JS		20070823			
		Ritad Drawn		Sidor Pages		Ritn nr Drawing no		Forts Cont	
		JS JS		1		HA6501B			

It is the user's responsibility to ensure that all control devices are correctly installed, cared for and operated to meet all applicable European, national and local codes/regulations. Specifications subject to change without notice.

HA6500C Connection examples BT51

A) Nödstopps- och manöverrelä med start- och stopp-funktion samt övervakning av yttre kontaktorer/reläer
Emergency stop and control relay with start/stop-function and monitoring of external contactors/relays

B) Nödstopps med dubbla kontakter, aut. återställning.
Emergency stop with dual contacts and autom. reset.

C) Lucka med automatisk återställning
Interlocked hatch with automatic reset

D) Lucka med manuell start (ej övervakad återställning)
Hatch with manual start (no supervised reset)

E) Expansion med automatisk återställning
Expansion with automatic reset

OBS/NOTE:
1) START-knappen ej övervakad
START pushbutton not supervised
2) START-knappen delvis övervakad
START pushbutton partly supervised

Anmärkning Remark		Konstr Design		Godk Appr		Datum Date		Blad Sheet	
ANSLUTNINGSEXEMPEL BT51 CONNECTION EXAMPLES BT51		JS JS		JS JS		20070828			
		Ritad Drawn		Sidor Pages		Ritn nr Drawing no		Forts Cont	
		JS JS		1		HA6500C			

It is the user's responsibility to ensure that all control devices are correctly installed, cared for and operated to meet all applicable European, national and local codes/regulations. Specifications subject to change without notice.

HA6501C Connection examples BT51T

A) Nödstopps- och manöverrelä med start- och stopp-funktion samt övervakning av yttre kontaktorer/reläer
Emergency stop and monitoring of external contactors/relays

B) Nödstopp med dubbla kontakter, aut. återställning.
Emergency stop with dual contacts and automatic reset.

C) Lucka med automatisk återställning
Interlocked hatch with automatic reset

D) Lucka med manuell start (ej övervakad återställning)
Hatch with manual start (no supervised reset)

E) Expansion med automatisk återställning
Expansion with automatic reset

F) BT51T Info utgång
BT51T Info. output

G) BT51T Fördöringstider
BT51T Delay times

OBS/NOTE:
1) START-knappen ej övervakad
START pushbutton not supervised
2) START-knappen delvis övervakad
START pushbutton partly supervised

Anmärkning Remark
ANSLUTNINGSEXEMPEL BT51T
CONNECTION EXAMPLES BT51T

Konstr JS	Design JS	Godk JS	Appr JS	Datum 20070910	Blad 1
Ritad JS	Drawn JS	Sidor 1	Pages 1	Ritn nr HA6501C	Forts Cont

It is the user's responsibility to ensure that all control devices are correctly installed, cared for and operated to meet all applicable European, national and local codes/regulations. Specifications subject to change without notice.

HA7100A Connection examples JSBRT11

A) Nödstopp med manuell återställning samt övervakning av yttre kontaktorer/reläer
Emergency stop with manual reset and monitoring of external contactors/relays

B) Grind/lucka med manuell återställning.
Interl. door/hatch with manual reset.

C) Lucka med automatisk återställning.
Interl. hatch with automatic reset.

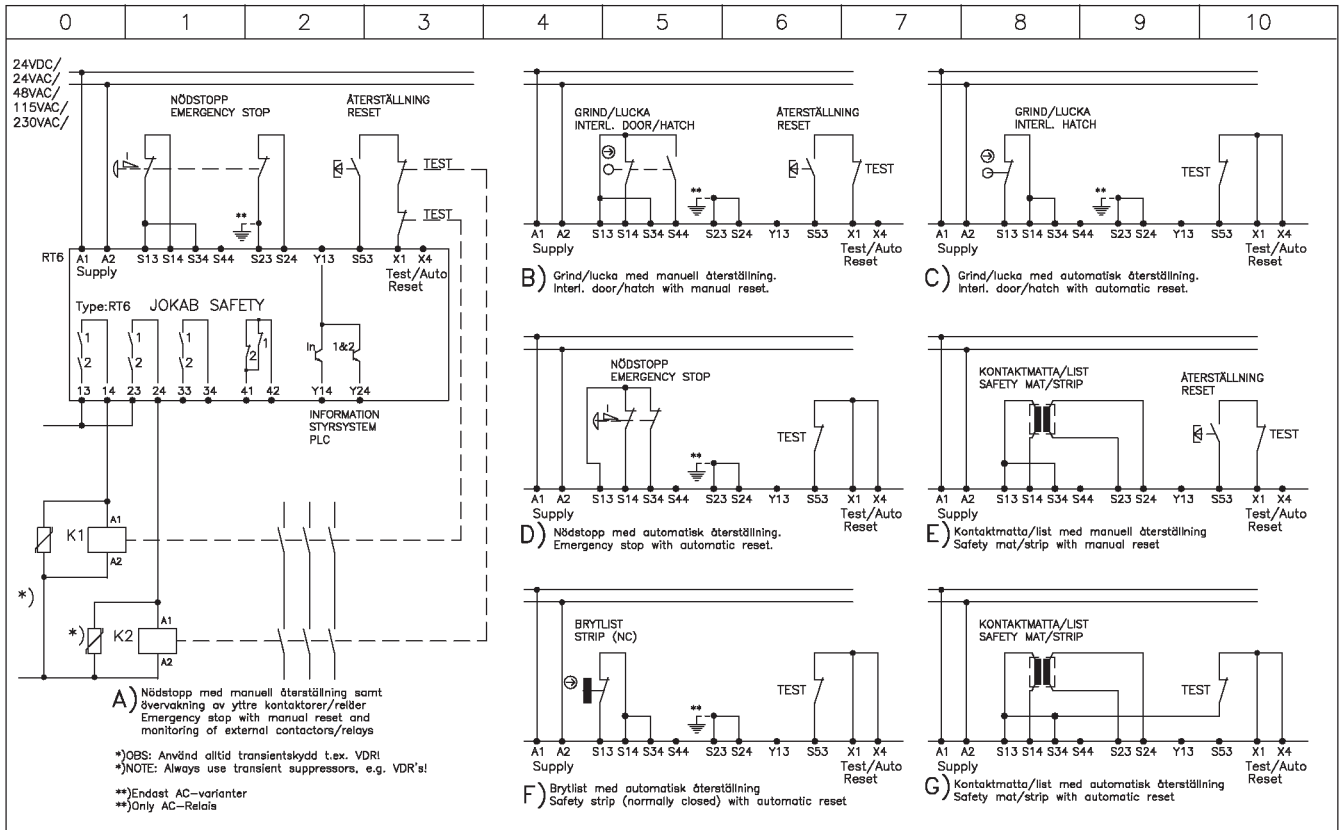
D) Nödstopp med automatisk återställning.
Emergency stop with automatic reset.

Anmärkning Remark
ANSLUTNINGSEXEMPEL JSBRT11
CONNECTION EXAMPLES JSBRT11

Konstr JS	Design JS	Godk JS	Appr JS	Datum 990120	Blad 1
Ritad JS	Drawn JS	Sidor 1	Pages 1	Ritn nr HA7100A	Forts Cont

It is the user's responsibility to ensure that all control devices are correctly installed, cared for and operated to meet all applicable European, national and local codes/regulations. Specifications subject to change without notice.

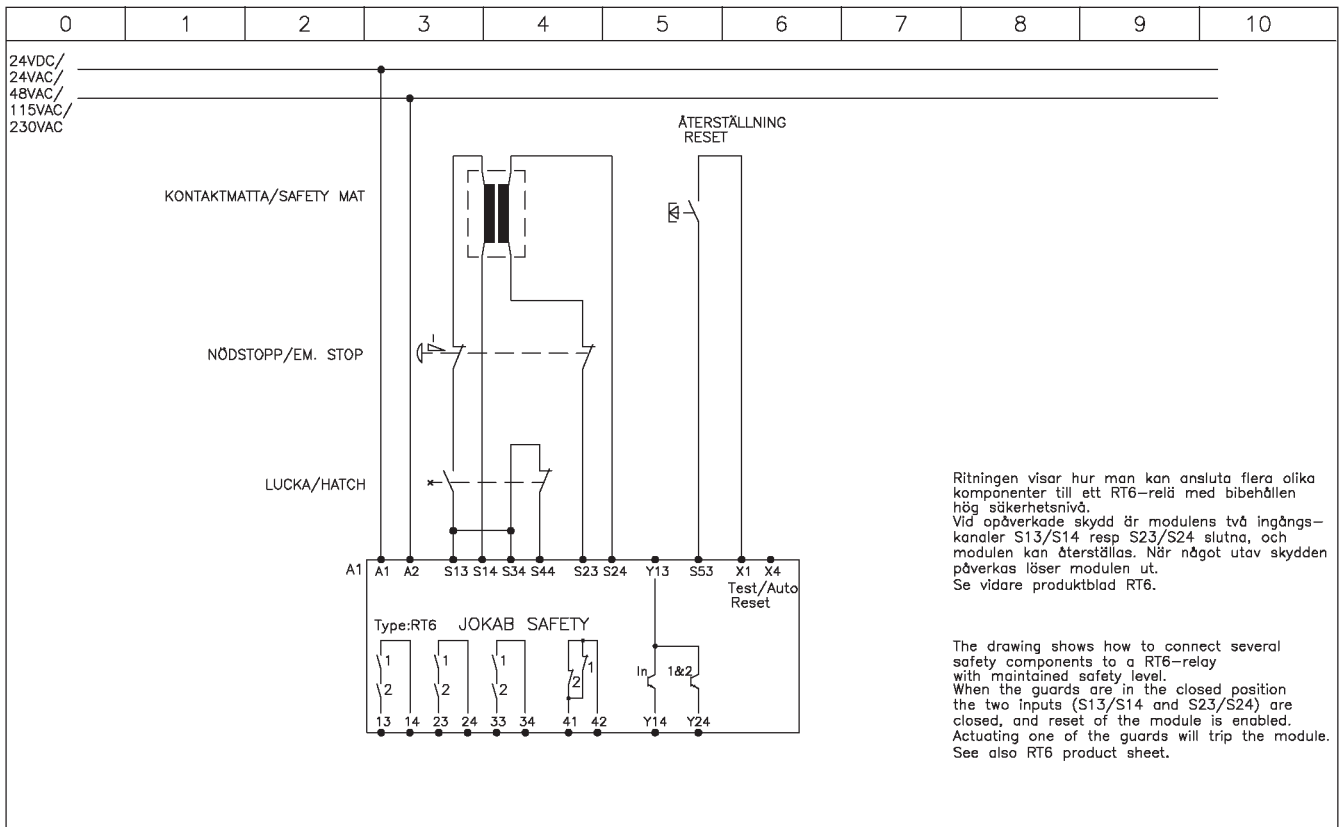
HA7600A Connection examples RT6



Anmärkning Remark	ANSLUTNINGSEXEMPEL RT6 CONNECTION EXAMPLES RT6	JOKAB SAFETY	Konstr JS	Design JS	Godk JS	Appr JS	Datum 990120	Date 1	Blad Sheet	1
			Ritad JS	Drawn JS	Sidor 1	Pages 1	Ritn nr HA7600A	Drawing no	Forta Cont	-

It is the user's responsibility to ensure that all control devices are correctly installed, cared for and operated to meet all applicable European, national and local codes/regulations. Specifications subject to change without notice.

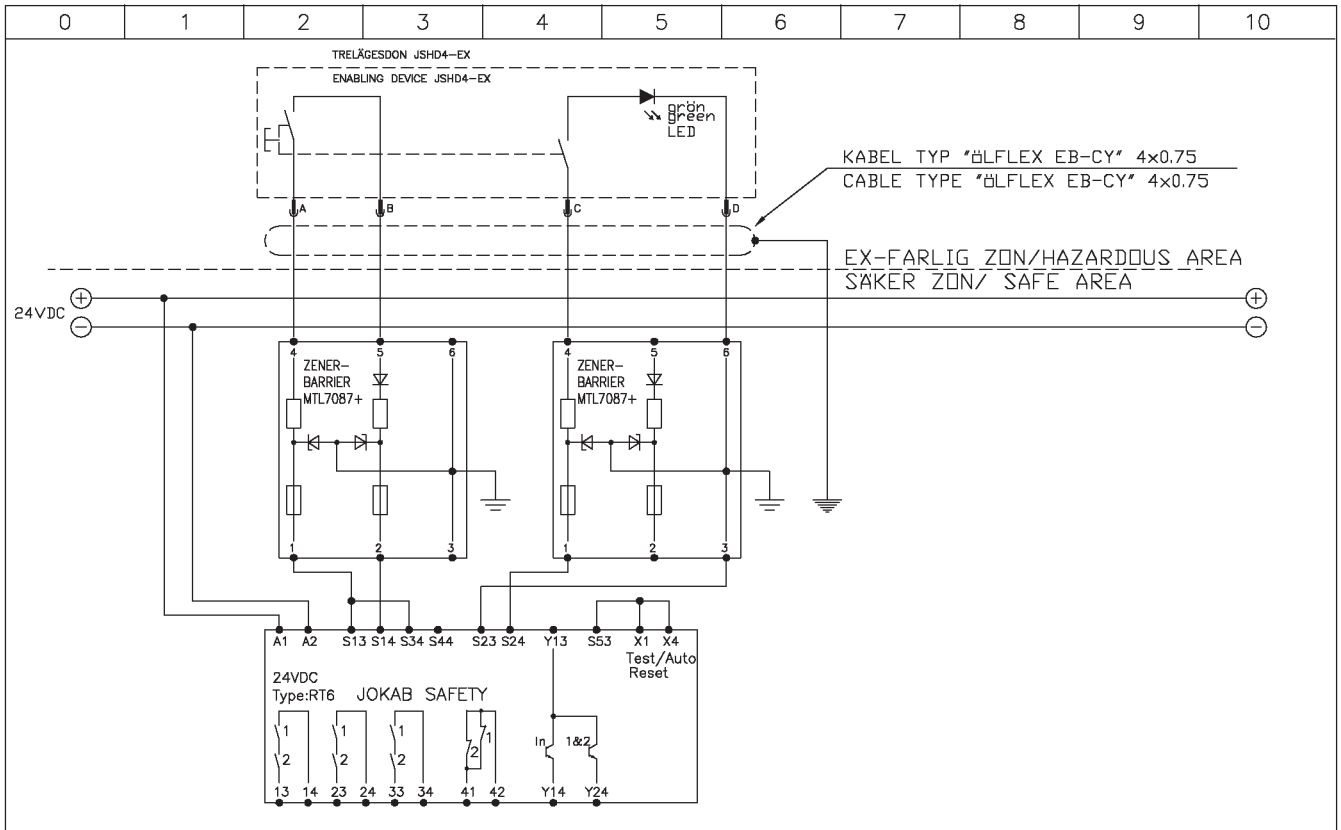
HA7600B Principle drawing RT6



Anmärkning Remark	KONTAKTMATTA, NÖDSTOPP OCH LUCKA TILL RT6 SAFETY MAT, EM. STOP AND HATCH WITH RT6 PRINCIPRITNING/PRINCIPLE DRAWING	JOKAB SAFETY	Konstr JS	Design JS	Godk JS	Appr JS	Datum 990409	Date 1	Blad Sheet	1
			Ritad JS	Drawn JS	Sidor 1	Pages 1	Ritn nr HA7600B	Drawing no	Forta Cont	-

It is the user's responsibility to ensure that all control devices are correctly installed, cared for and operated to meet all applicable European, national and local codes/regulations. Specifications subject to change without notice.

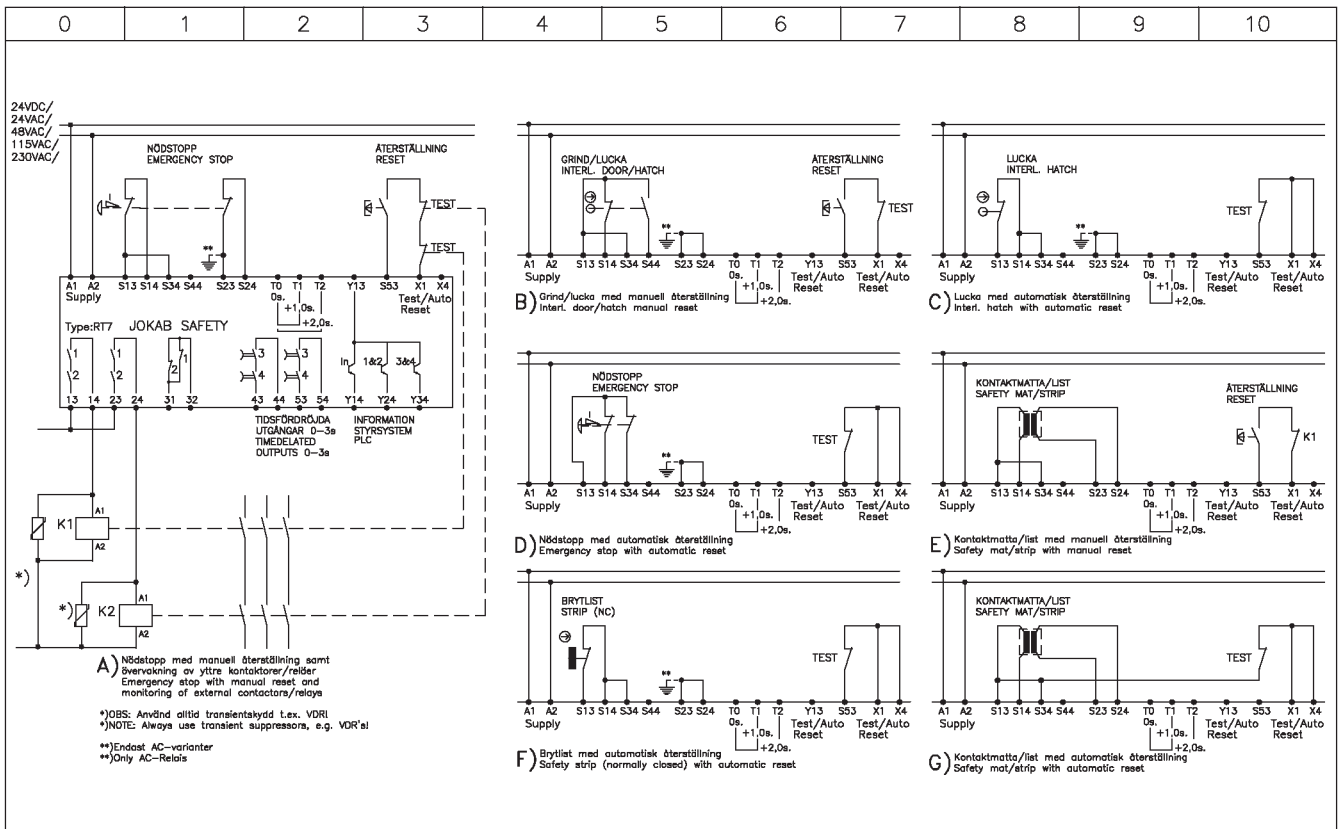
HA7672A Enabling device JSHD4 - EX with RT6



Anmärkning Remark TRELÄGESDON JSD4-EX MED RT6 ENABLING DEVICE JSHD4-EX WITH RT6	≡ JOKAB SAFETY ≡			Konstr Design JS	Godk Appr	Datum Date 990120	Blad Sheet 1
	Ritad Drawn JS	Sidor Pages 1	Ritn nr Drawing no HA7672A	Forts Cont -			

It is the user's responsibility to ensure that all control devices are correctly installed, cared for and operated to meet all applicable European, national and local codes/regulations. Specifications subject to change without notice.

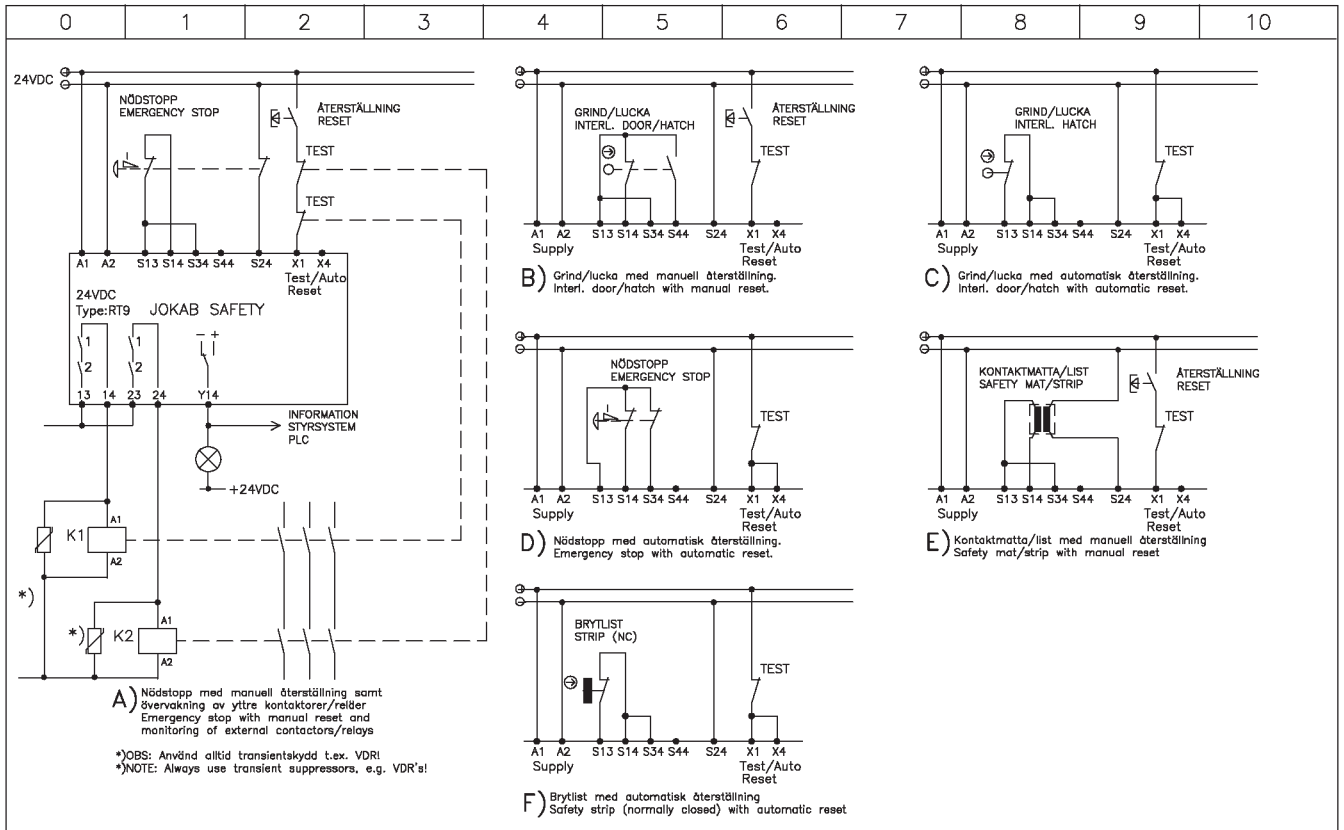
HA7700A Connection examples RT7



Anmärkning Remark ANSLUTNINGSEXEMPEL RT7 CONNECTION EXAMPLES RT7	≡ JOKAB SAFETY ≡			Konstr Design JS	Godk Appr	Datum Date 990120	Blad Sheet 1
	Ritad Drawn JS	Sidor Pages 1	Ritn nr Drawing no HA7700A	Forts Cont -			

It is the user's responsibility to ensure that all control devices are correctly installed, cared for and operated to meet all applicable European, national and local codes/regulations. Specifications subject to change without notice.

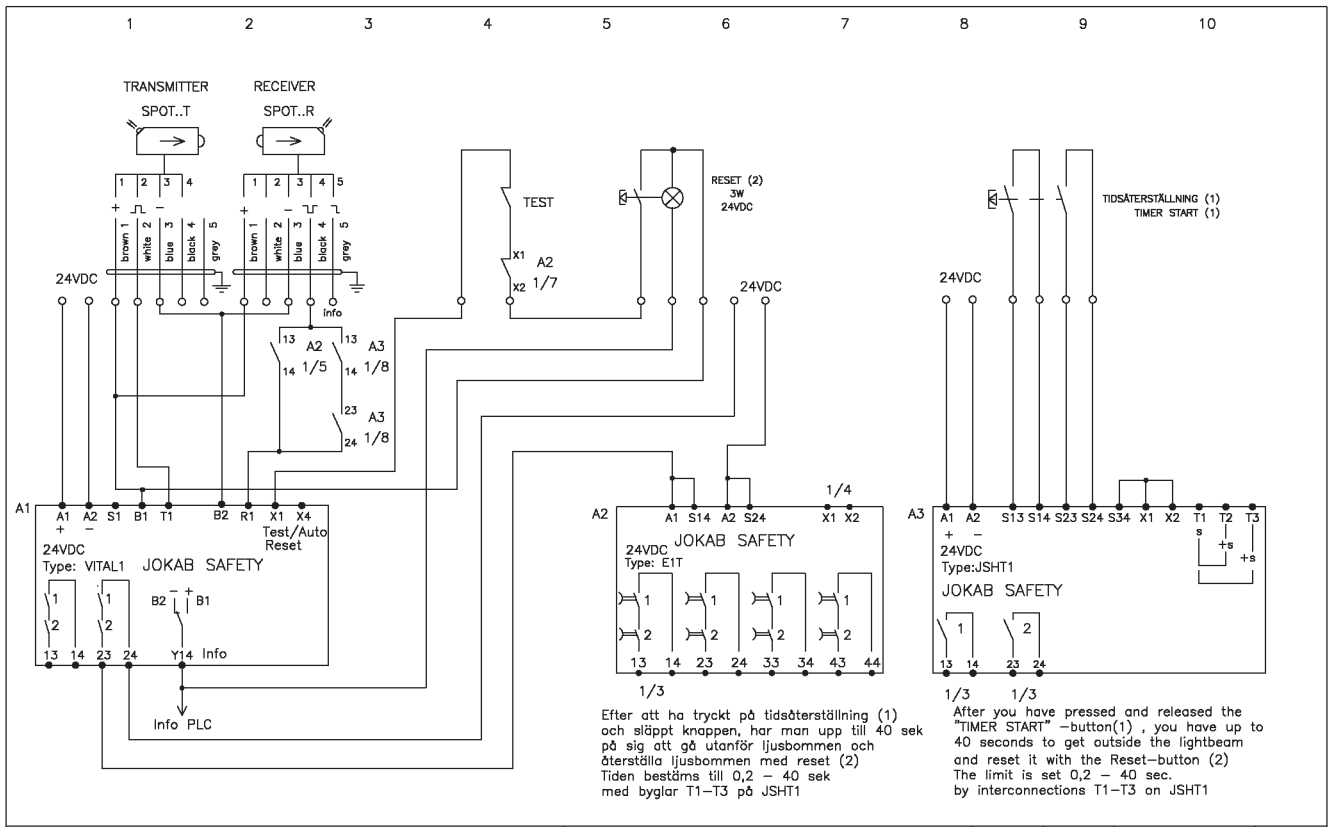
HA7900A Connection examples RT9



Anmärkning Remark	Konstr DesignGödk Appr	Datum Date	Blad Sheet
ANSLUTNINGSEXEMPEL RT9 CONNECTION EXAMPLES RT9	JS	990120	1
	Ritad Drawn	Ritn nr Drawing no	Forts Cont
	JS	HA7900A	-

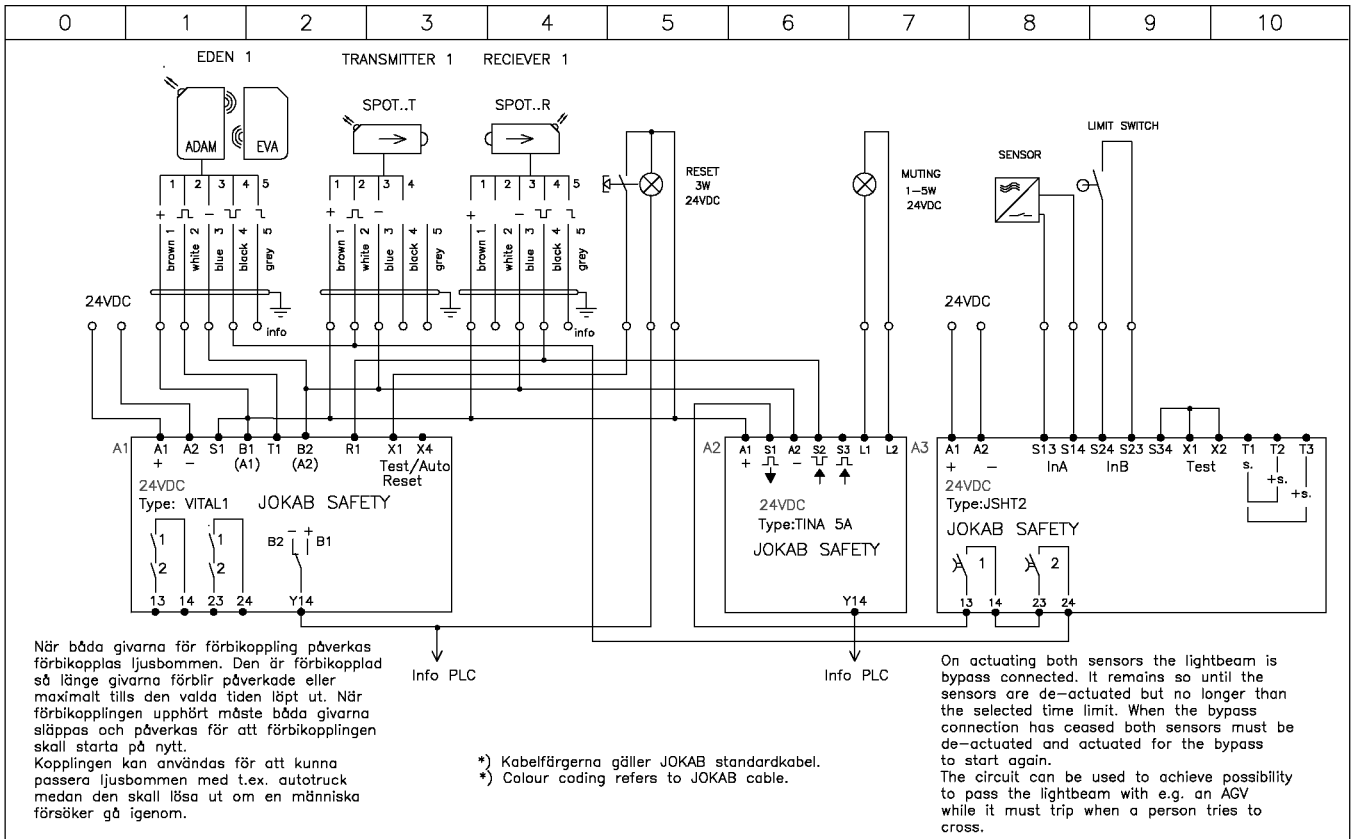
It is the user's responsibility to ensure that all control devices are correctly installed, cared for and operated to meet all applicable European, national and local codes/regulations. Specifications subject to change without notice.

HE3811B Safety Light Beam Spot with time-limited reset



Anmärkning Remark	Konstr DesignGödk Appr	Datum Date	Blad Sheet
LJUSBOM SPOT MED TIDSÅTERSTÄLLNING SAFETY LIGHT BEAM SPOT WITH TIME-LIMITED RESET	JS	20070910	1
	Ritad Drawn	Ritn nr Drawing no	Forts Cont
	JS	HE3811B	-

HE3824C Lightbeam with time-limited bypass 0.2-40 s



Anmärkning Remark
LJUSBOM MED TIDSFÖRBIKOPPLING 0,2-40 SEK.
LIGHTBEM WITH TIME-LIMITED BYPASS 0,2-40S.

*) Kabelfärgerna gäller JOKAB standardkabel.
*) Colour coding refers to JOKAB cable.

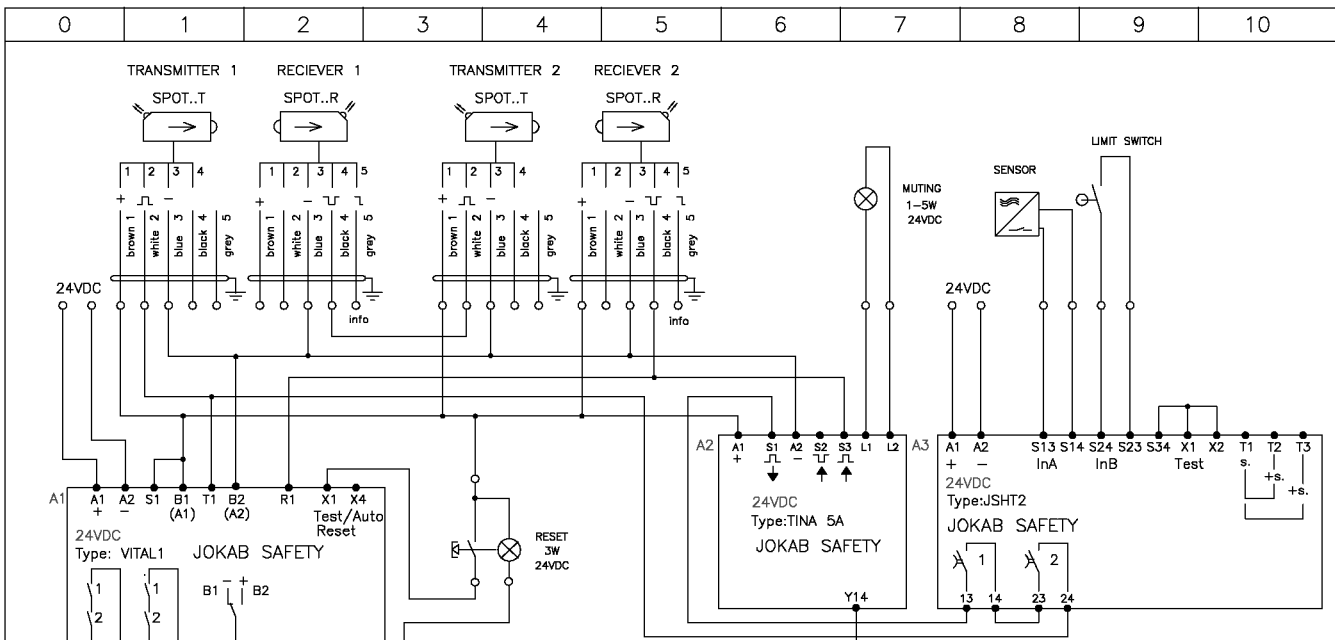
On actuating both sensors the lightbeam is bypass connected. It remains so until the sensors are de-actuated but no longer than the selected time limit. When the bypass connection has ceased both sensors must be de-actuated and actuated for the bypass to start again.
The circuit can be used to achieve possibility to pass the lightbeam with e.g. an AGV while it must trip when a person tries to cross.



Konstr. Design	JS	Godk. Appr	Datum Date	020530	Blad Sheet	1
Ritad Drawn	JS	Sidor Pages	Ritn nr Drawing no	HE3824C	Forts Cont	-

It is the user's responsibility to ensure that all control devices are correctly installed, cared for and operated to meet all applicable European, national and local codes/regulations. Specifications subject to change without notice.

HE3824E Lightbeams with time-limited bypass 0.2-40 s



Anmärkning Remark
LJUSBOMMAR MED TIDSFÖRBIKOPPLING 0,2-40 SEK.
LIGHTBEAMS WITH TIME-LIMITED BYPASS 0,2-40S.

*) Kabelfärgerna gäller JOKAB standardkabel.
*) Colour coding refers to JOKAB cable.

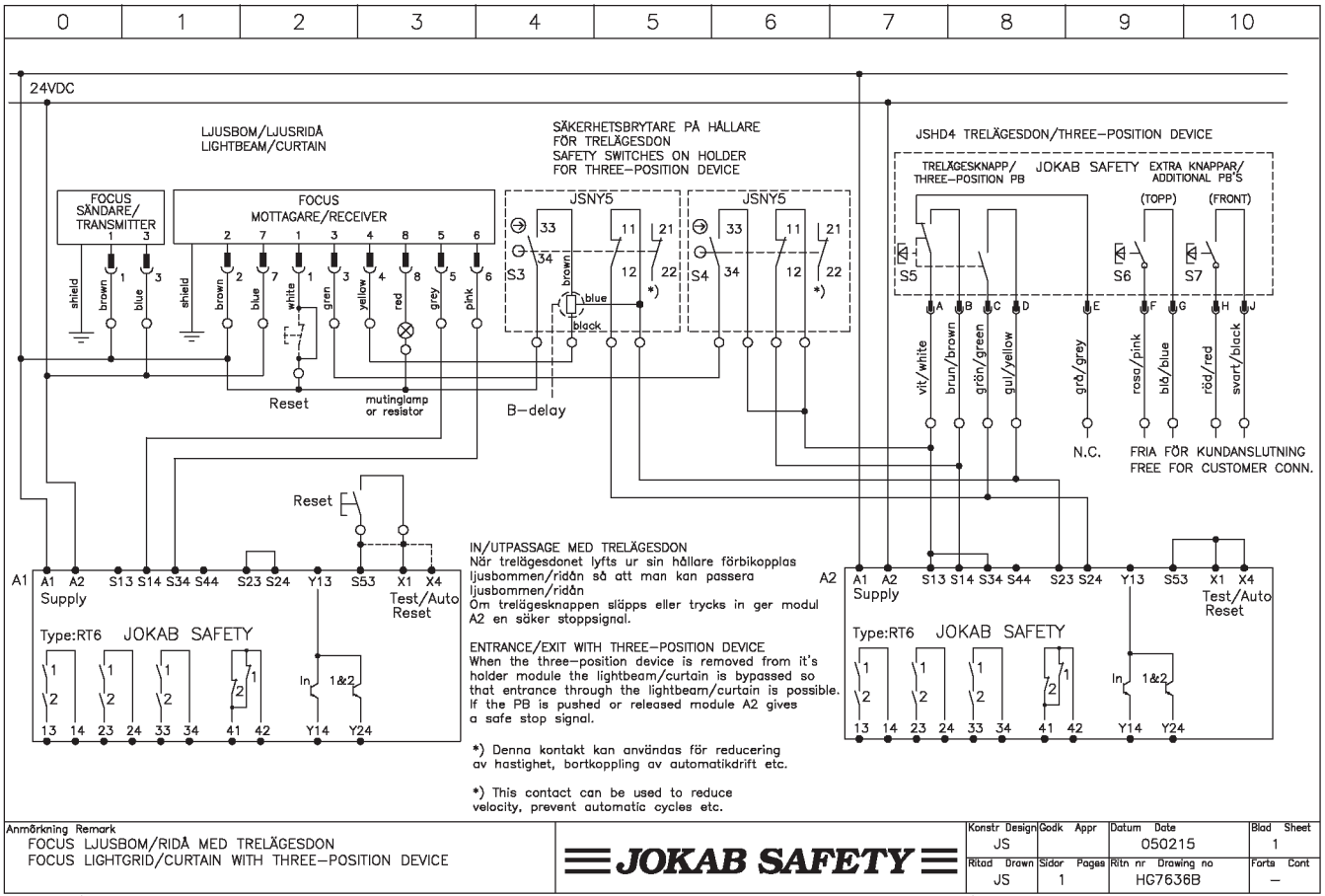
On actuating both sensors the lightbeam is bypass connected. It remains so until the sensors are de-actuated but no longer than the selected time limit. When the bypass connection has ceased both sensors must be de-actuated and actuated for the bypass to start again.
The circuit can be used to achieve possibility to pass the lightbeam with e.g. an AGV while it must trip when a person tries to cross.



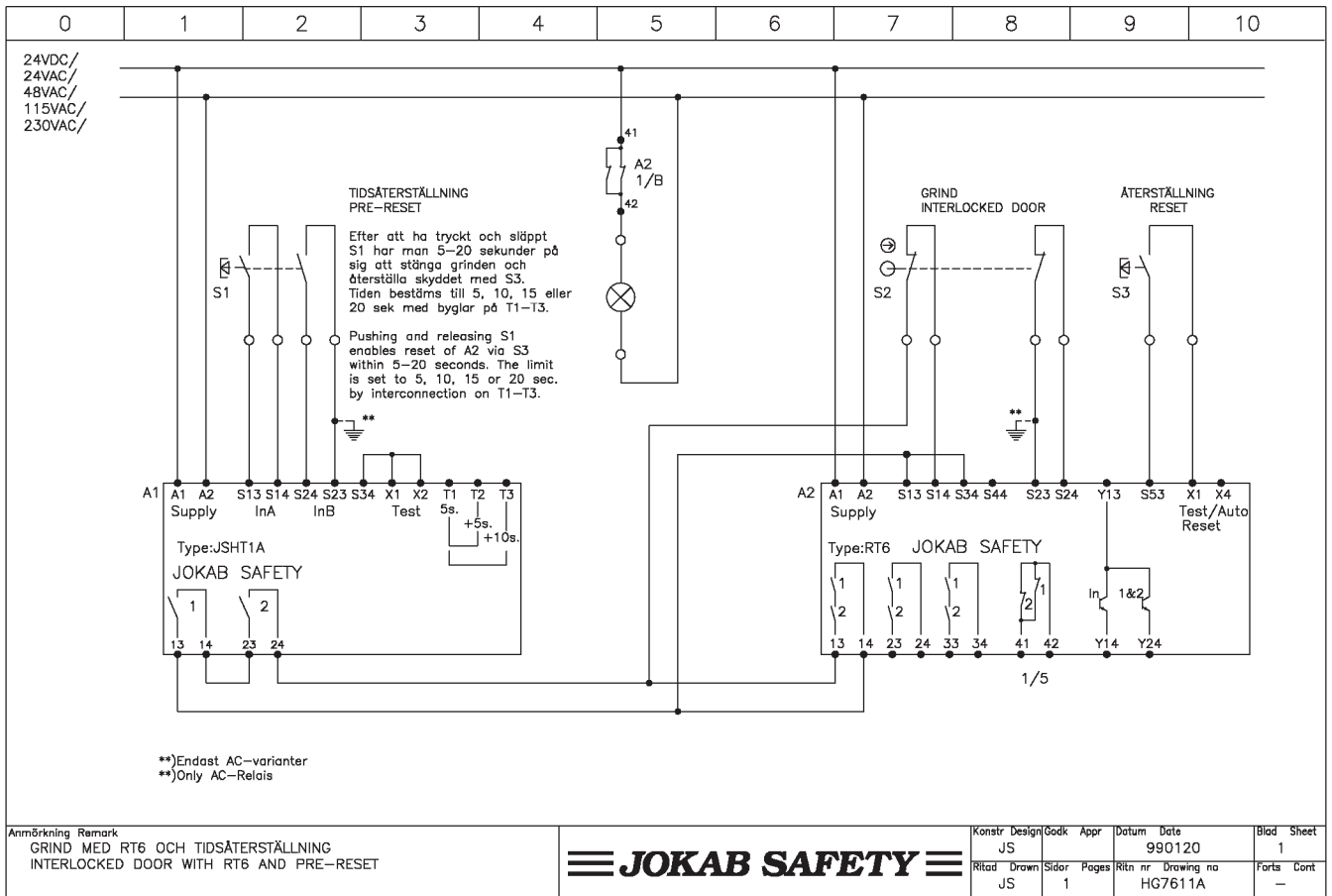
Konstr. Design	JS	Godk. Appr	Datum Date	020527	Blad Sheet	1
Ritad Drawn	JS	Sidor Pages	Ritn nr Drawing no	HE3824E	Forts Cont	-

It is the user's responsibility to ensure that all control devices are correctly installed, cared for and operated to meet all applicable European, national and local codes/regulations. Specifications subject to change without notice.

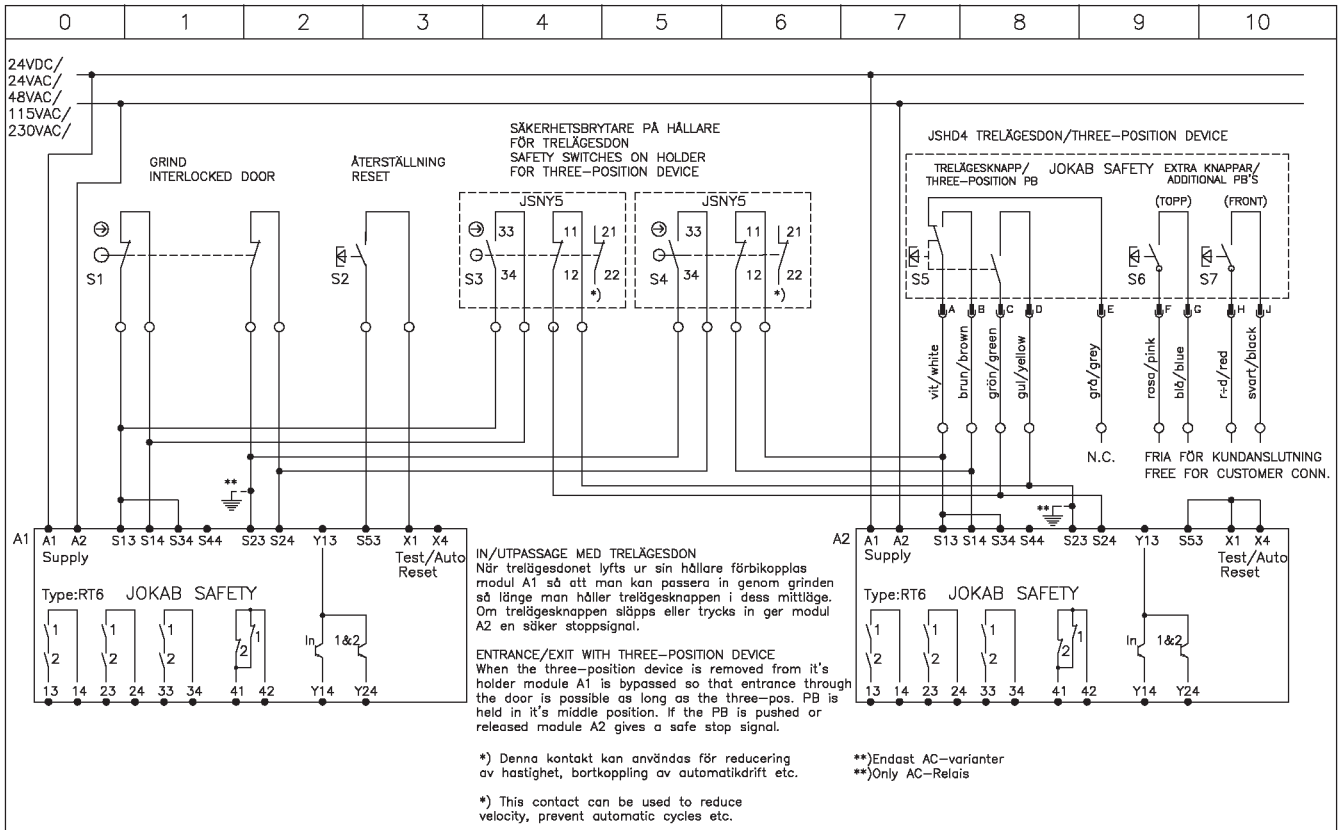
HG7636B Focus light grid/curtain with three-position device



HG7611A Interlocked door with RT6 and pre-reset



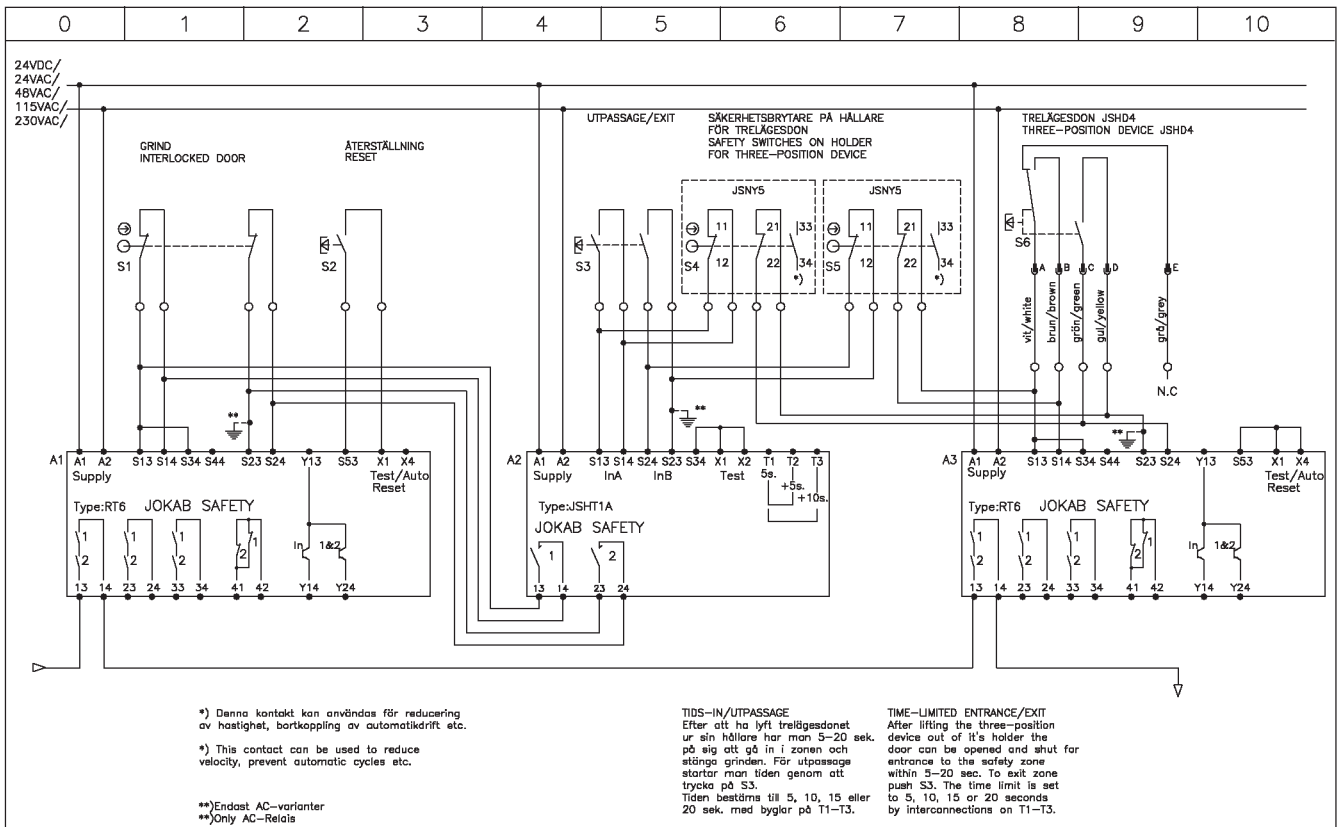
HG7636A Interlocked door with three-position device



Anmärkning Remark	Konstr Design	Godk Appr	Datum Date	Blad Sheet
GRIND MED TRELÄGESDON INTERLOCKED DOOR WITH THREE-POSITION DEVICE	JS		040311	1
	Ritad Drawn	Sidor Pages	Ritn nr Drawing no	Forts Cont
	JS	1	HG7636A	-

It is the user's responsibility to ensure that all control devices are correctly installed, cared for and operated to meet all applicable European, national and local codes/regulations. Specifications subject to change without notice.

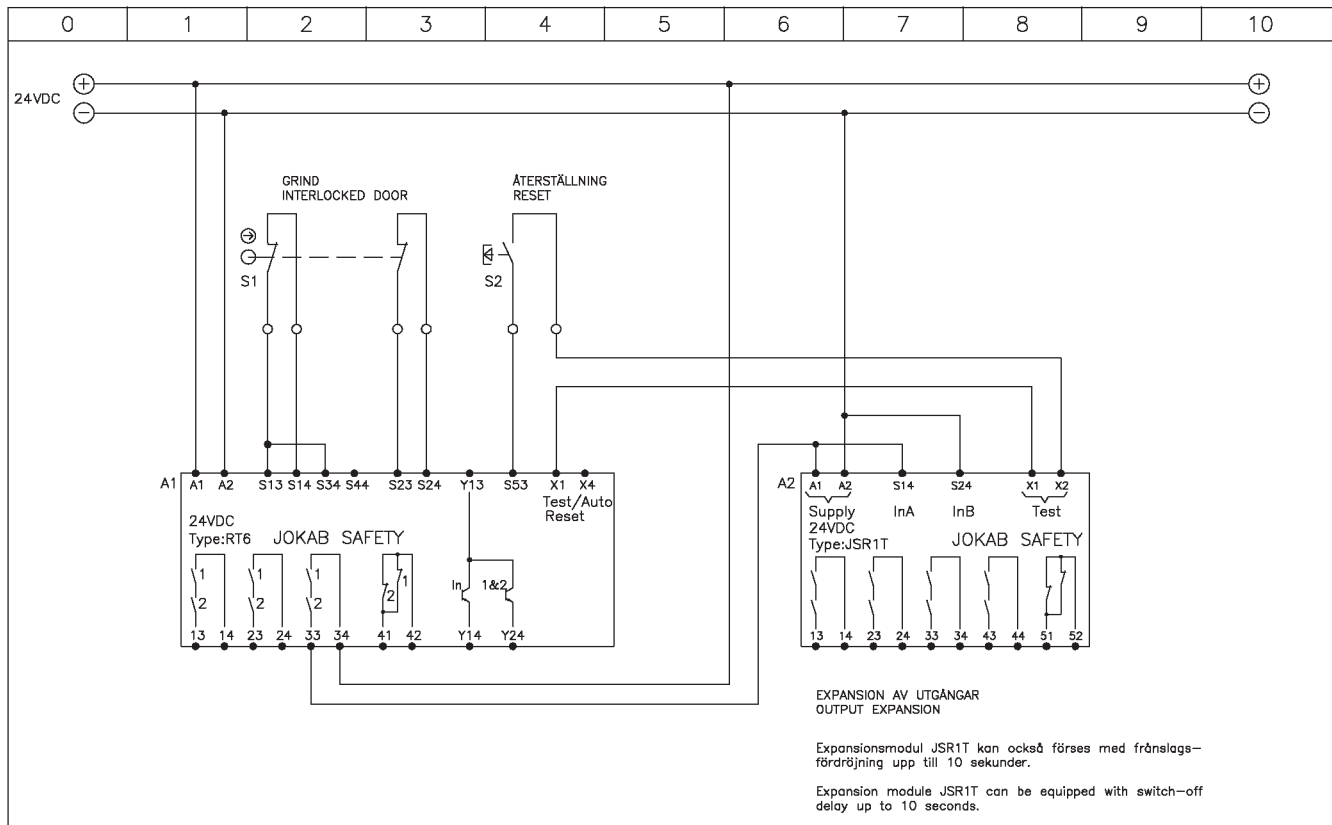
HG7646A Interlocked door with three-position device and time-limited entrance/exit



Anmärkning Remark	Konstr Design	Godk Appr	Datum Date	Blad Sheet
GRIND MED TRELÄGESDON OCH TIDS-IN/UTPASSAGE INTERLOCKED DOOR WITH THREE-POSITION DEVICE AND TIME-LIMITED ENTRANCE/EXIT	JS		040311	1
	Ritad Drawn	Sidor Pages	Ritn nr Drawing no	Forts Cont
	JS	1	HG7646A	-

It is the user's responsibility to ensure that all control devices are correctly installed, cared for and operated to meet all applicable European, national and local codes/regulations. Specifications subject to change without notice.

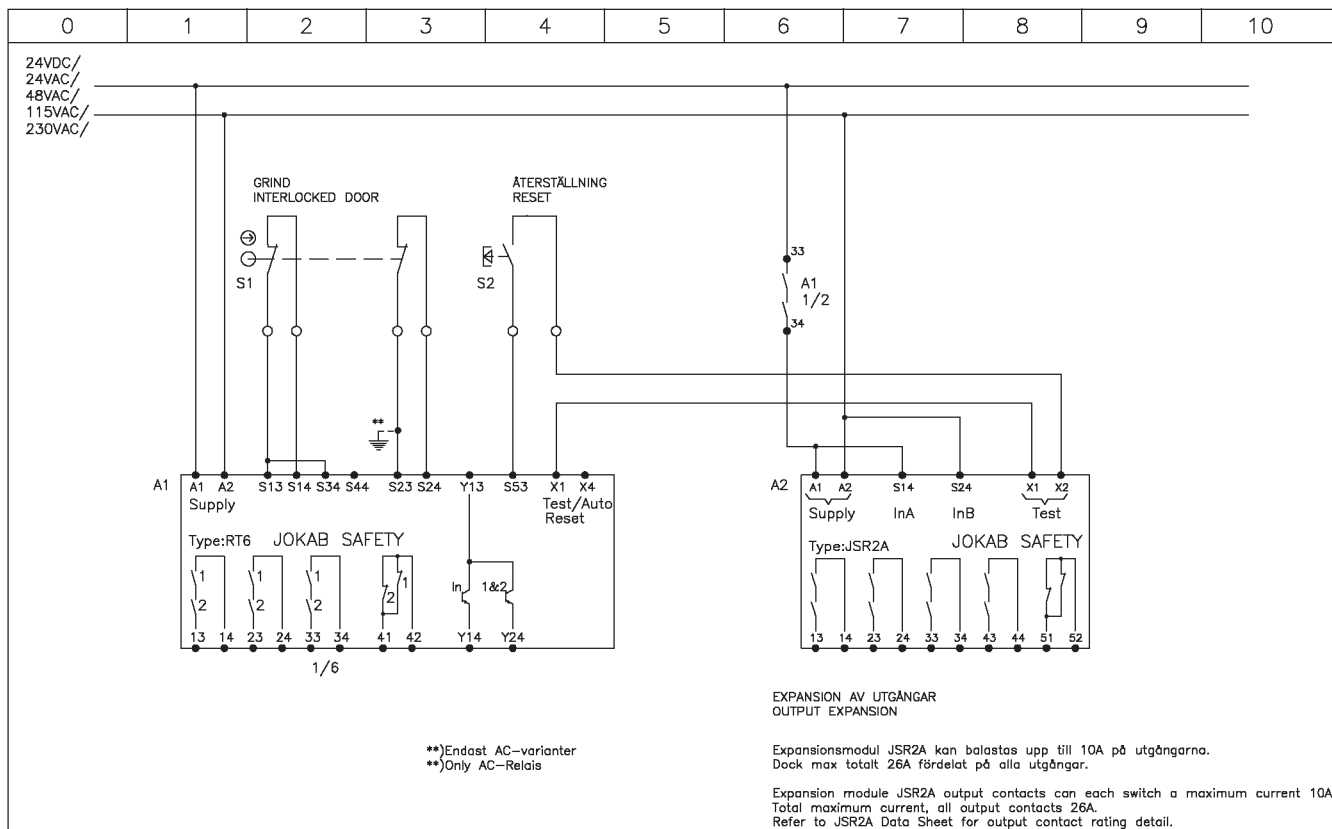
HG7654A Interlocked door with RT6 and output expansion JSR1T



Anmärkning Remark GRIND MED RT6 OCH EXPANSION JSR1T INTERLOCKED DOOR WITH RT6 AND OUTPUT EXPANSION JSR1T	≡ JOKAB SAFETY ≡	Konstr JS	Design JS	Godk JS	Appr JS	Datum 990120	Date 990120	Blad 1	Sheet 1
		Ritad JS	Drawn JS	Sidor 1	Pages 1	Ritn nr HG7654A	Drawing no HG7654A	Forts -	Cont -

It is the user's responsibility to ensure that all control devices are correctly installed, cared for and operated to meet all applicable European, national and local codes/regulations. Specifications subject to change without notice.

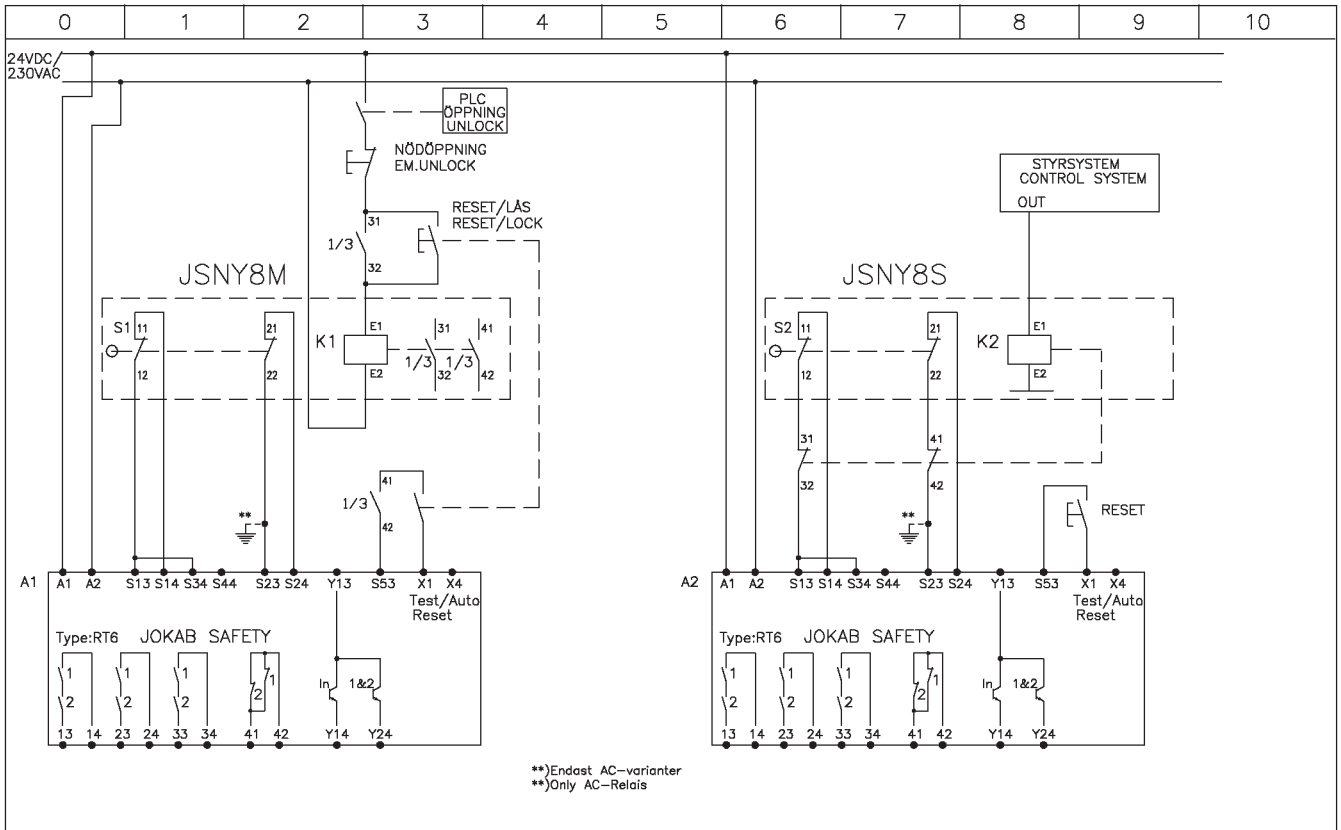
HG7658A Interlocked door with RT6 and output expansion JSR2A



Anmärkning Remark GRIND MED RT6 OCH EXPANSION JSR2A INTERLOCKED DOOR WITH RT6 AND OUTPUT EXPANSION JSR2A	≡ JOKAB SAFETY ≡	Konstr JS	Design JS	Godk JS	Appr JS	Datum 990120	Date 990120	Blad 1	Sheet 1
		Ritad JS	Drawn JS	Sidor 1	Pages 1	Ritn nr HG7658A	Drawing no HG7658A	Forts -	Cont -

It is the user's responsibility to ensure that all control devices are correctly installed, cared for and operated to meet all applicable European, national and local codes/regulations. Specifications subject to change without notice.

HG7673A Interlock switch JSNY8 with RT6

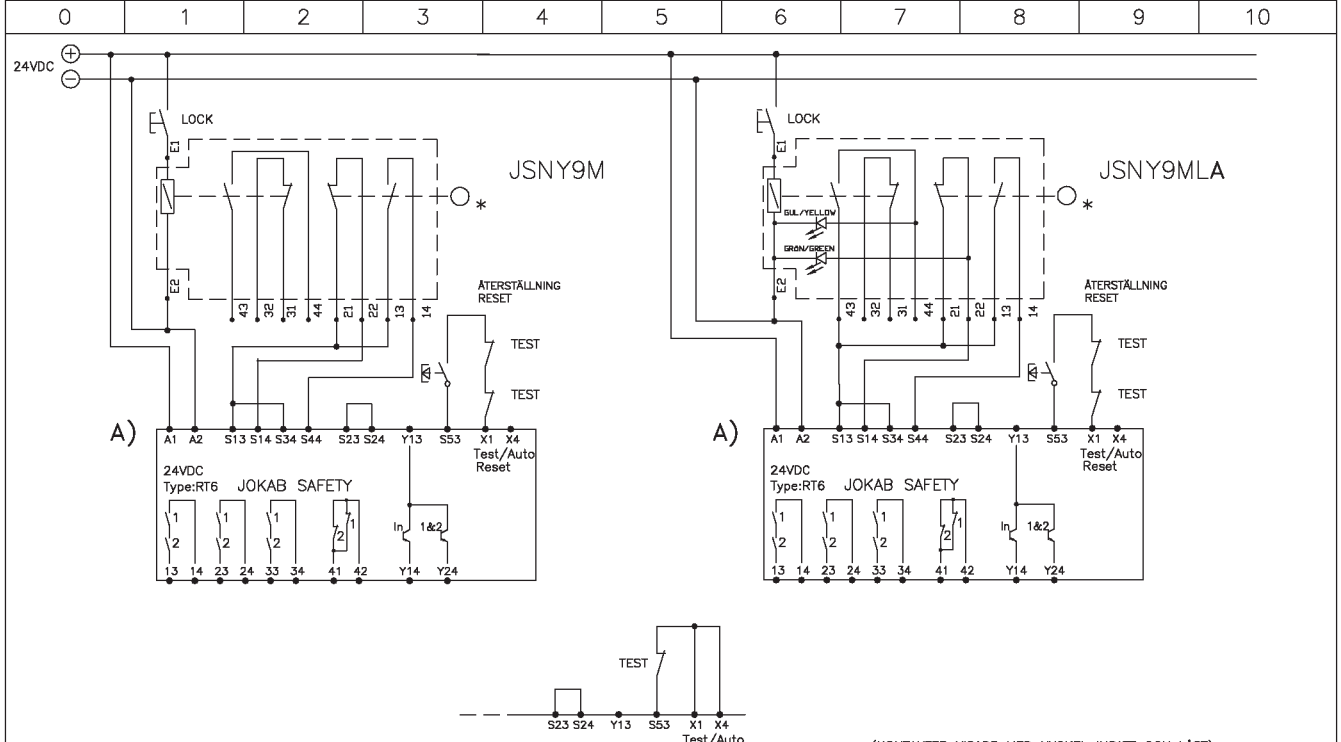


**Endast AC-varianter
**)Only AC-Relais

Anmärkning Remark NYCKELBRYTARE JSNY8 MED RT6 INTERLOCK SWITCH JSNY8 WITH RT6	≡ JOKAB SAFETY ≡				Konstr JS	Design JS	Godek JS	Appr JS	Datum 990120	Blad 1	Sheet 1
					Ritad JS	Drawn JS	Sidor 1	Pages 1	Ritn nr HG7673A	Drawing no HG7673A	Forts -

It is the user's responsibility to ensure that all control devices are correctly installed, cared for and operated to meet all applicable European, national and local codes/regulations. Specifications subject to change without notice.

HG7674A Safety interlock switch JSNY9M/MLA with RT6



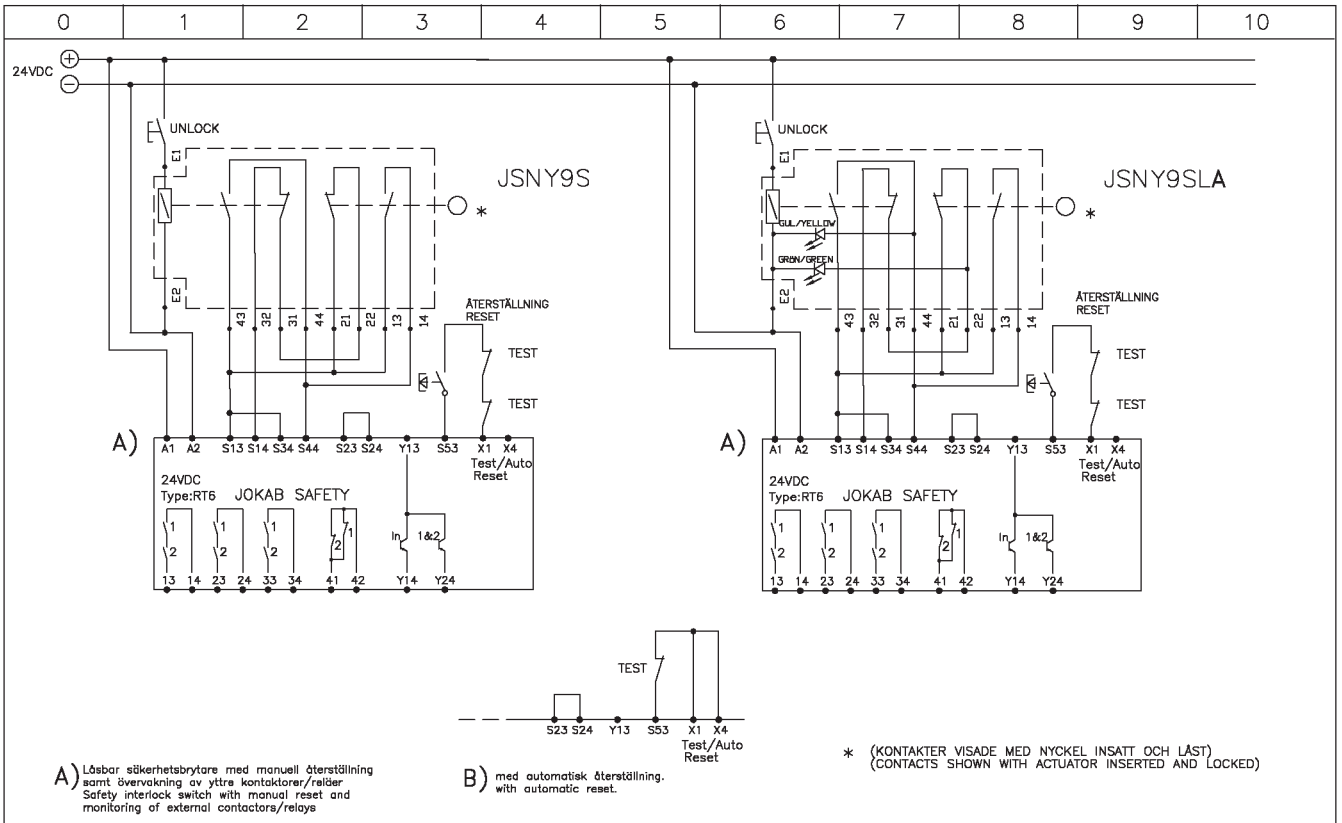
- A) Lösbar säkerhetsbrytare med manuell återställning samt övervakning av yttre kontaktor/reläer. Safety interlock switch with manual reset and monitoring of external contactors/relays
- B) med automatisk återställning. with automatic reset.

* (KONTAKTER VISADE MED NYCKEL INSATT OCH LÅST)
(CONTACTS SHOWN WITH ACTUATOR INSERTED AND LOCKED)

Anmärkning Remark LÅSBAR SÄKERHETSBRYTARE JSNY9M/MLA MED RT6 SAFETY INTERLOCK SWITCH JSNY9M/MLA WITH RT6	≡ JOKAB SAFETY ≡				Konstr JS	Design JS	Godek JS	Appr JS	Datum 040311	Blad 1	Sheet 1
					Ritad JS	Drawn JS	Sidor 1	Pages 1	Ritn nr HG7674A	Drawing no HG7674A	Forts -

It is the user's responsibility to ensure that all control devices are correctly installed, cared for and operated to meet all applicable European, national and local codes/regulations. Specifications subject to change without notice.

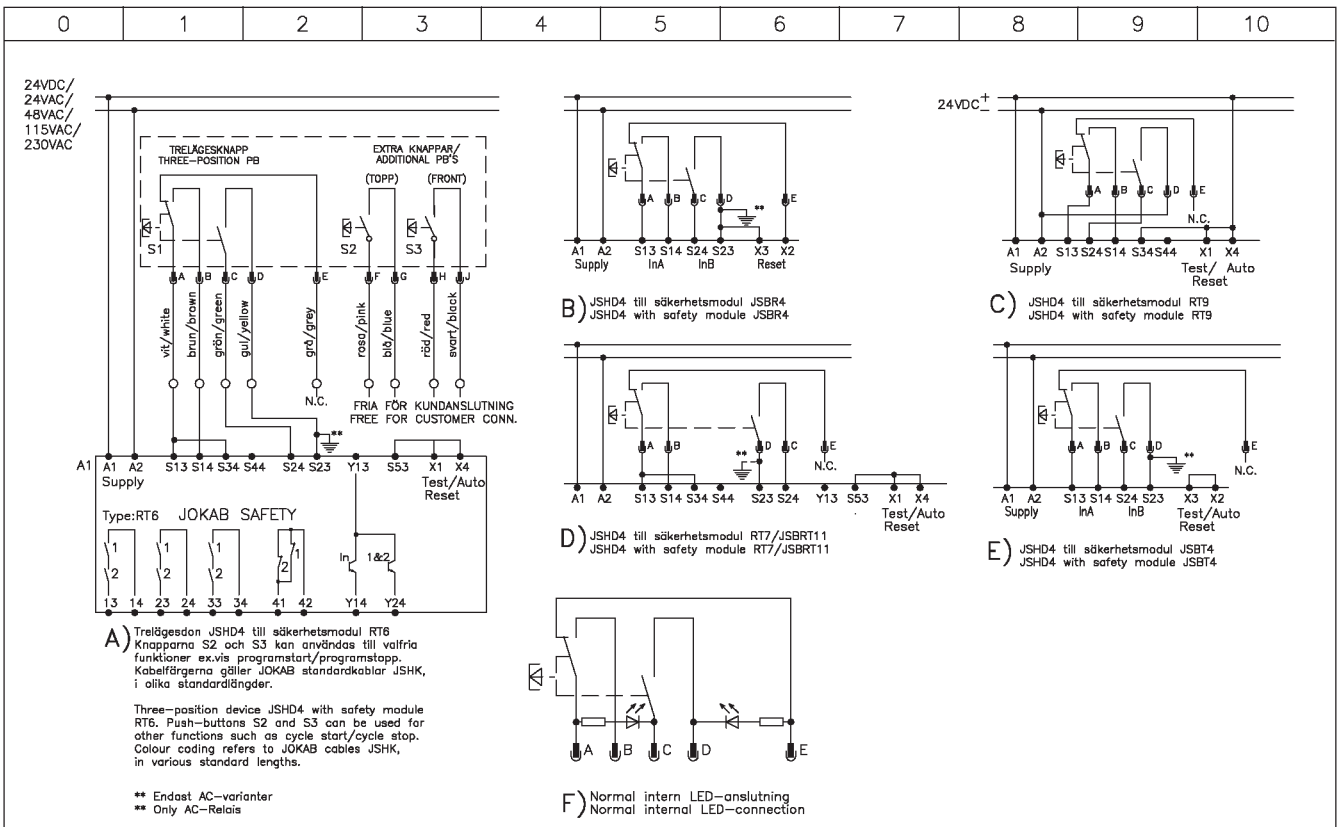
HG7674B Safety interlock switch JSNY9S/SLA with RT6



Anmärkning Remark LÅSBAR SÄKERHETSBRYTARE JSNY9S/SLA MED RT6 SAFETY INTERLOCK SWITCH JSNY9S/SLA WITH RT6	≡ JOKAB SAFETY ≡			Konstr Design	Godk Appr	Datum Date	Blad Sheet
				JS		991209	1
	Ritad Drawn	Sidor Pages	Ritn nr Drawing no				
	JS	1	HG7674B				

It is the user's responsibility to ensure that all control devices are correctly installed, cared for and operated to meet all applicable European, national and local codes/regulations. Specifications subject to change without notice.

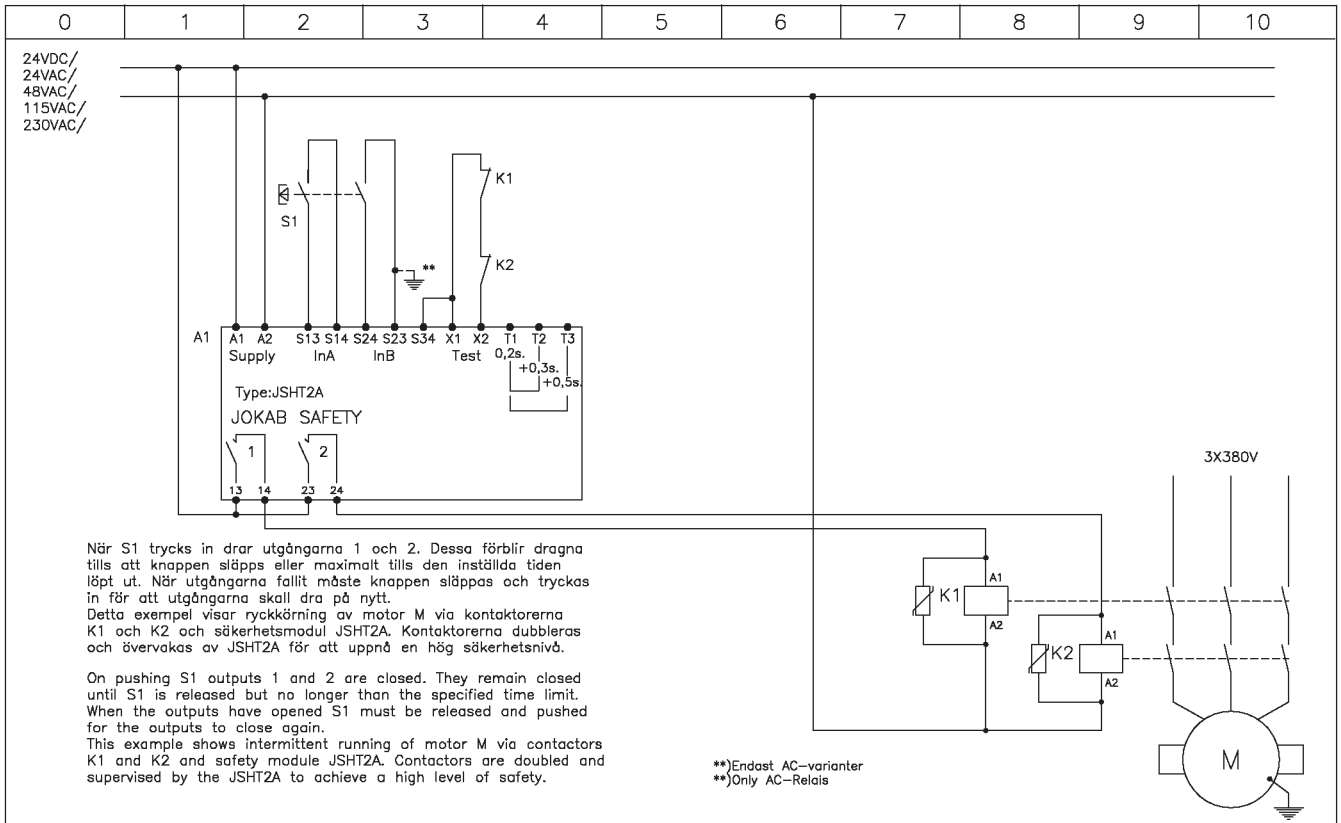
HH000C Three-position device JSHD4 with various safety modules



Anmärkning Remark TRELÄGESDON JSHD4 TILL OLIKA SÄKERHETSMODULER THREE-POSITION DEVICE JSHD4 WITH VARIOUS SAFETY MODULES	≡ JOKAB SAFETY ≡			Konstr Design	Godk Appr	Datum Date	Blad Sheet
				JS		050112	1
	Ritad Drawn	Sidor Pages	Ritn nr Drawing no				
	JS	1	HH000C				

It is the user's responsibility to ensure that all control devices are correctly installed, cared for and operated to meet all applicable European, national and local codes/regulations. Specifications subject to change without notice.

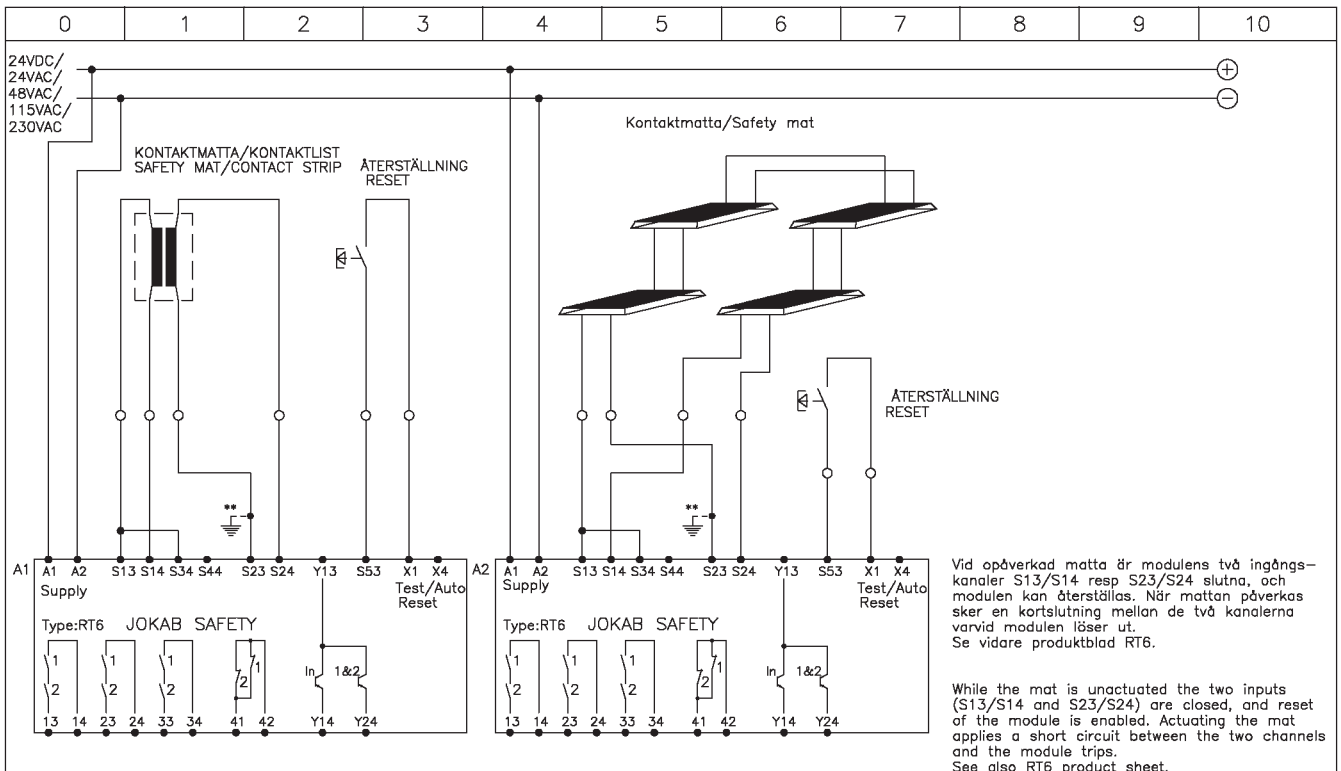
HI8552A Connection examples JSHT2 intermittent running



Anmärkning Remark ANSLUTNINGSEXEMPEL JSHT2 RYCKKÖRNING CONNECTION EXAMPLE JSHT2 INTERMITTENT RUNNING	≡ JOKAB SAFETY ≡				Konstr Design	Godk Appr	Datum Date	Blad Sheet
					JS	JS	990120	1
					Ritad Drawn	Sidor Pages	Ritn nr Drawing no	Forts Cont
					JS	1	HI8552A	-

It is the user's responsibility to ensure that all control devices are correctly installed, cared for and operated to meet all applicable European, national and local codes/regulations. Specifications subject to change without notice.

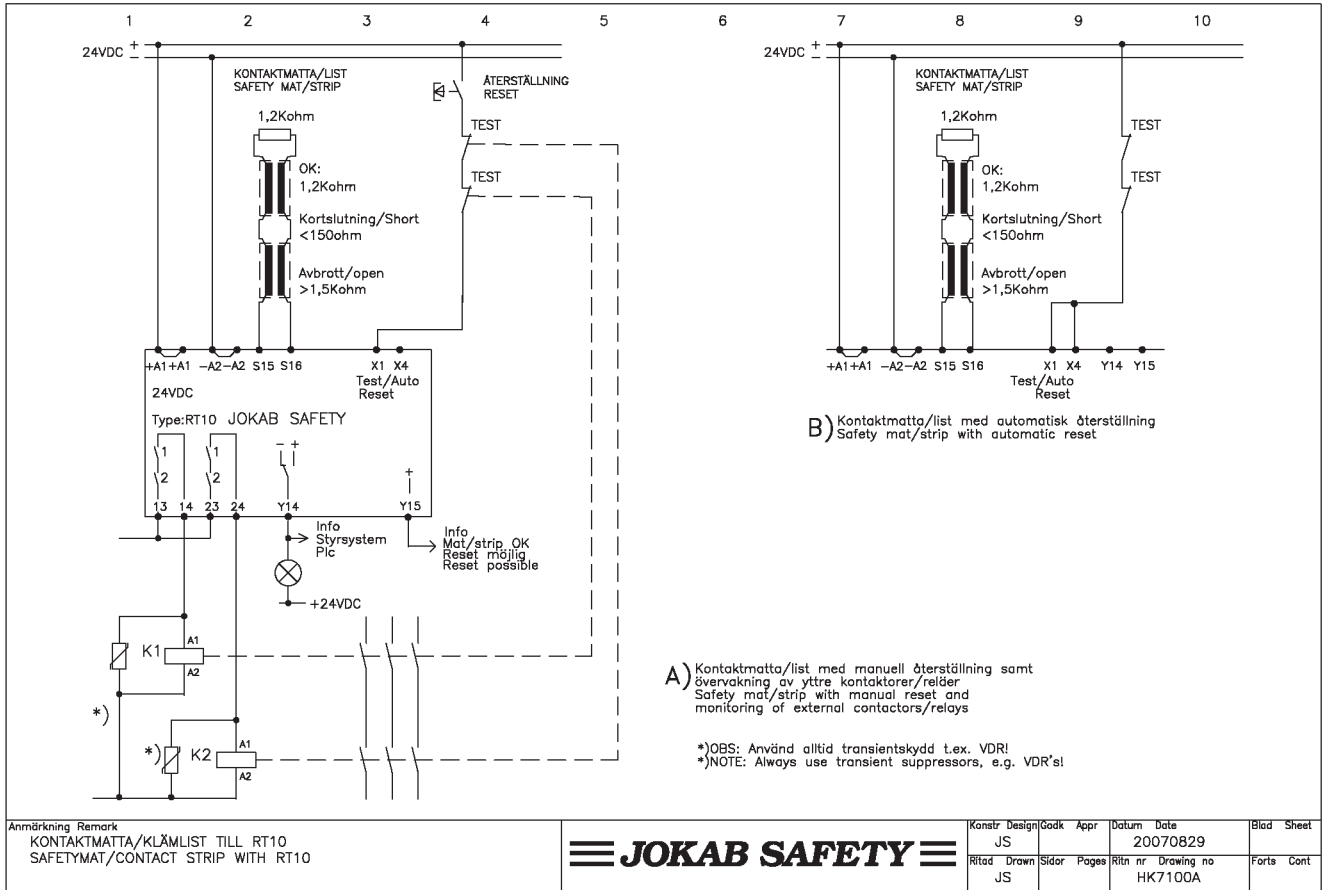
HK7600A Safety mat/Contact strip with RT6



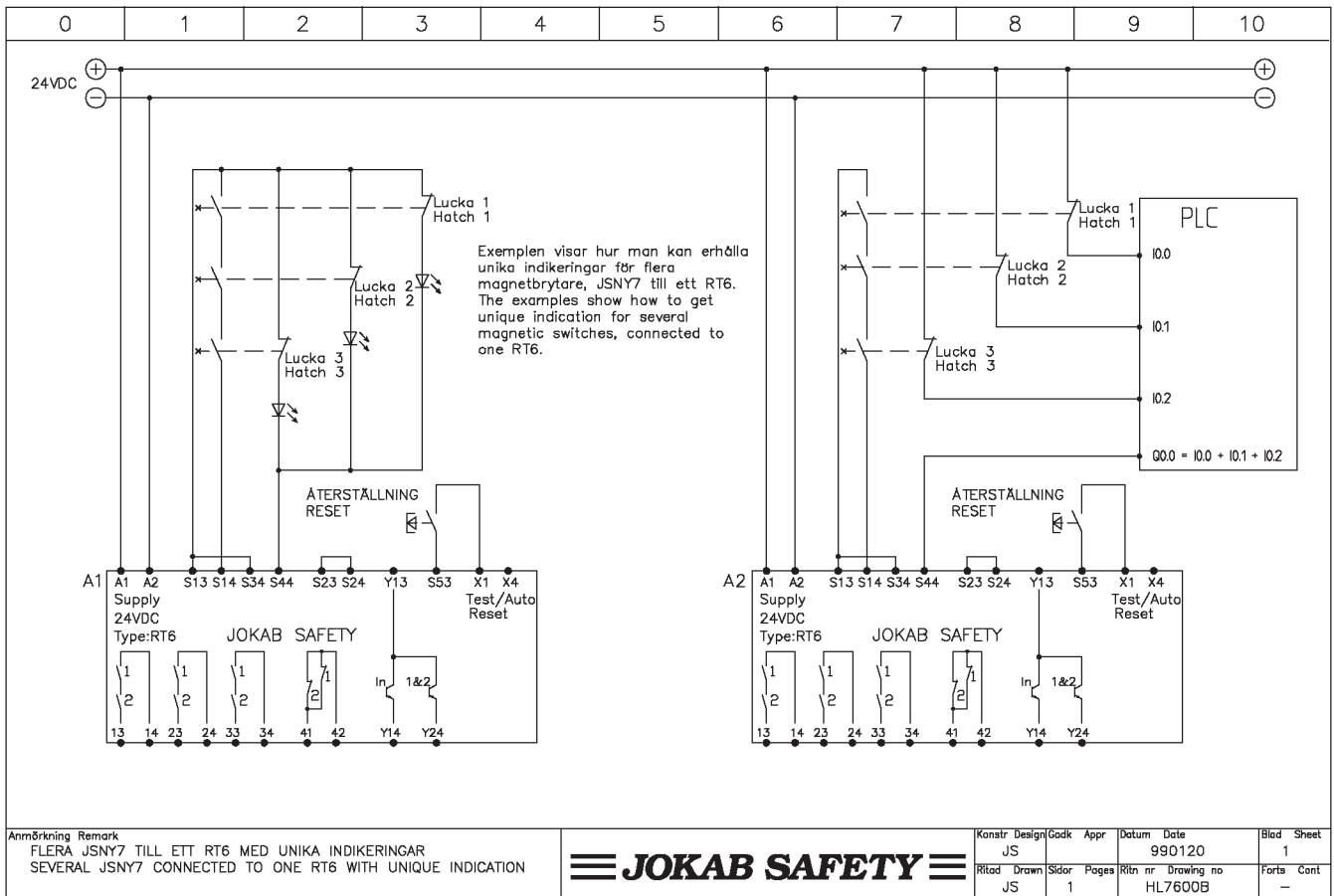
Anmärkning Remark KONTAKTMATTA/KONTAKTLIST TILL RT6 SAFETY MAT/CONTACT STRIP WITH RT6 PRINCIPITNING/PRINCIPLE DRAWING	≡ JOKAB SAFETY ≡				Konstr Design	Godk Appr	Datum Date	Blad Sheet
					JS	JS	990120	1
					Ritad Drawn	Sidor Pages	Ritn nr Drawing no	Forts Cont
					JS	1	HK7600A	-

It is the user's responsibility to ensure that all control devices are correctly installed, cared for and operated to meet all applicable European, national and local codes/regulations. Specifications subject to change without notice.

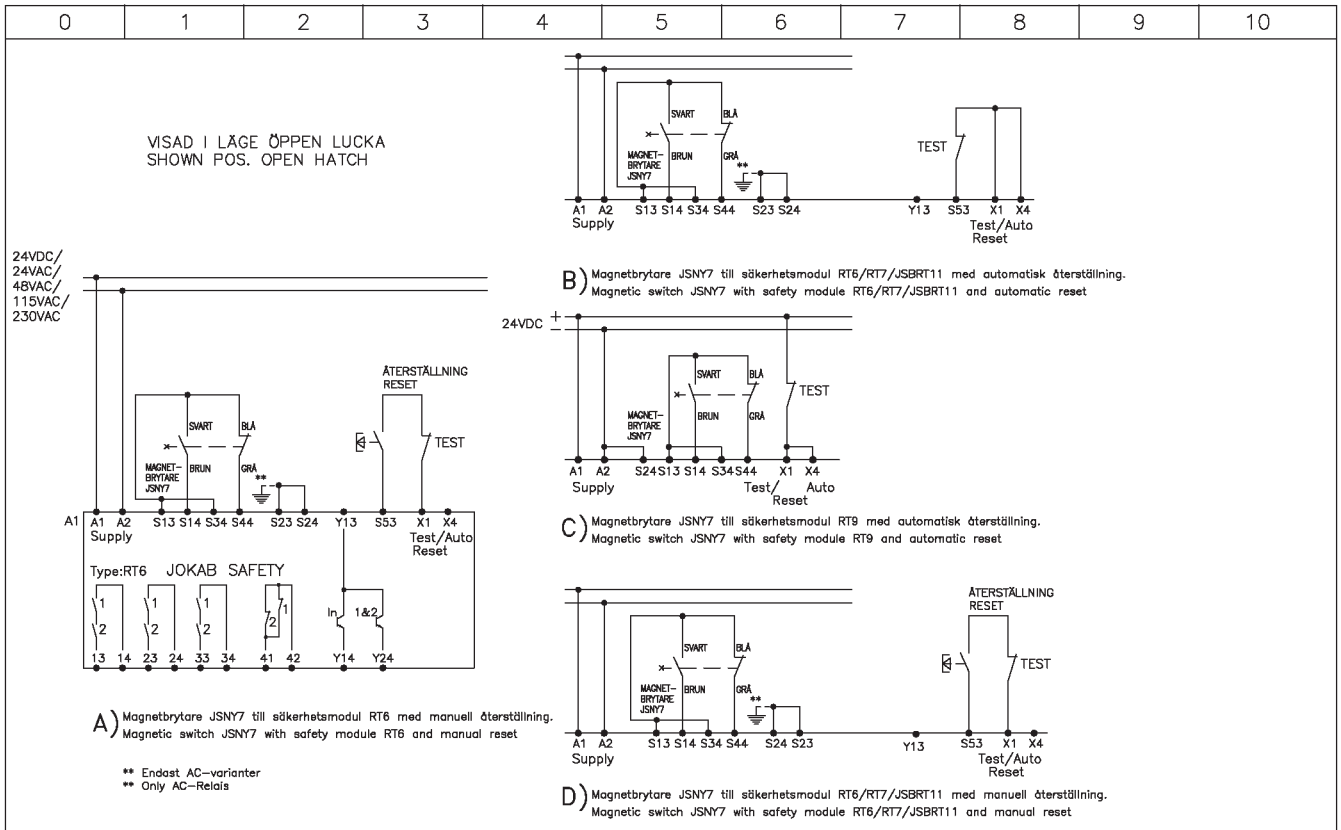
HK7100A Safety mat/Contact strip with RT10



HL7600B Several JSNY7 connected to one RT6 with unique indication



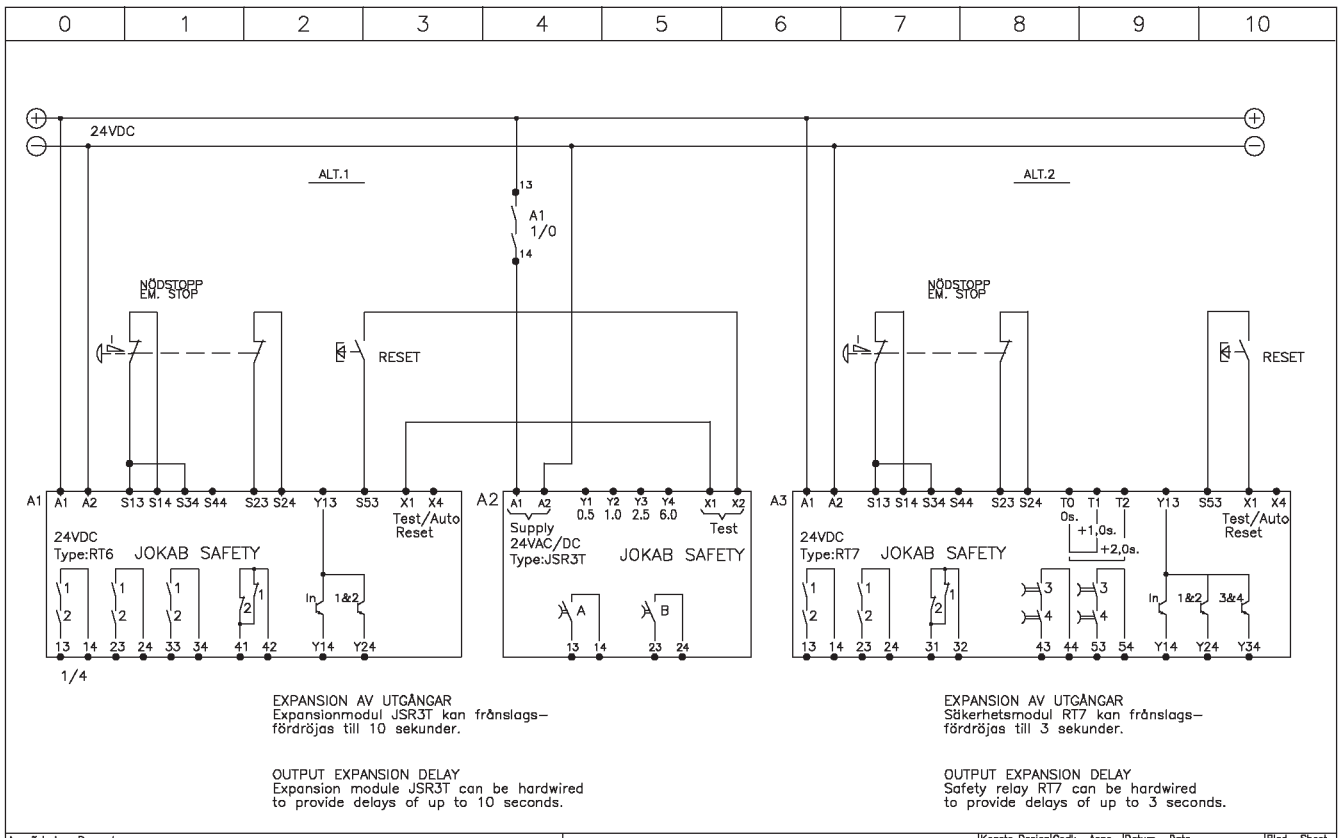
HM0000A Magnetic switch JSNY7 with various safety modules



Anmärkning Remark MAGNETBRYTARE JSNY7 TILL OLIKA SÄKERHETSMODULER MAGNETIC SWITCH JSNY7 WITH VARIOUS SAFETY MODULES	≡ JOKAB SAFETY ≡				Konstr DesignGodk Appr	Datum Date	Blad Sheet
	Ritad Drawn	Sidor Pages	Ritn nr Drawing no	Forts Cont	JS	991209	1
					JS	1	HM0000A

It is the user's responsibility to ensure that all control devices are correctly installed, cared for and operated to meet all applicable European, national and local codes/regulations. Specifications subject to change without notice.

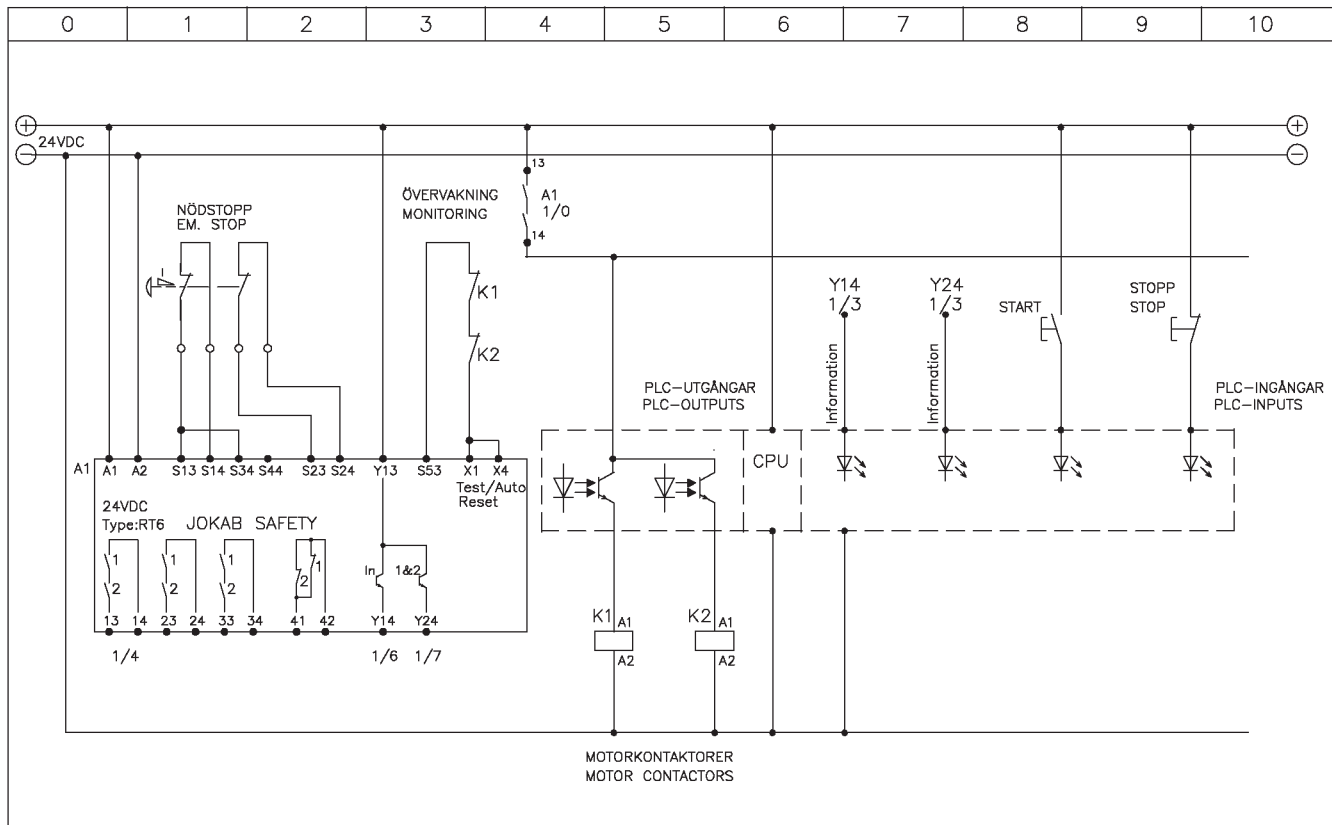
HN7660A Delayed outputs RT6 with output expansion JSR3T and RT7



Anmärkning Remark ALT.1 FÖRDRÖJDA UTGÅNGAR RT6 MED EXPANSION JSR3T/ ALT.2 RT7 ALT.1 DELAYED OUTPUTS RT6 WITH OUTPUT EXPANSION JSR3T/ ALT.2 RT7	≡ JOKAB SAFETY ≡				Konstr DesignGodk Appr	Datum Date	Blad Sheet
	JS	JS	1	HN7660A	JS	990120	1

It is the user's responsibility to ensure that all control devices are correctly installed, cared for and operated to meet all applicable European, national and local codes/regulations. Specifications subject to change without notice.

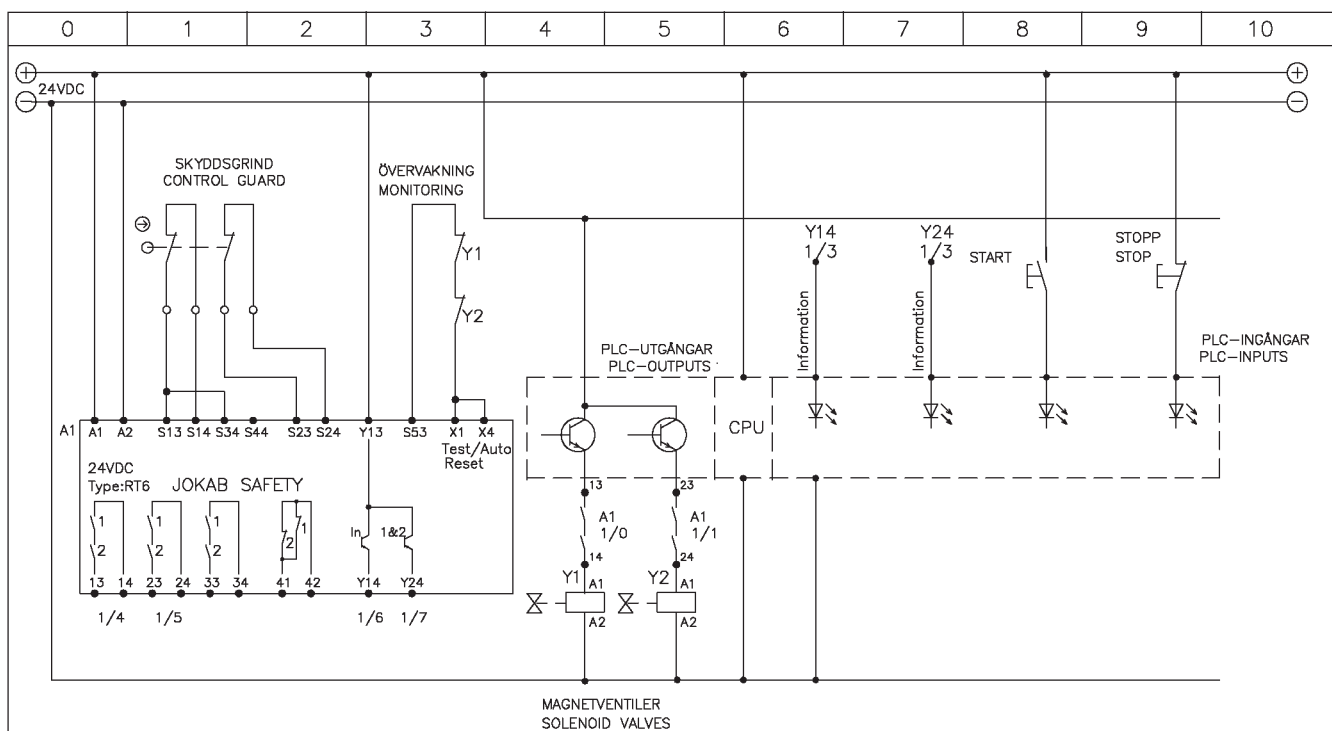
HP7600A Machine control - Isolation of PLC inputs and outputs



Anmärkning Remark MASKINSTYRNING - BORTKOPPLING AV PLC IN- OCH UTGÅNGAR MACHINE CONTROL - ISOLATION OF PLC INPUTS AND OUTPUTS	≡ JOKAB SAFETY ≡				Konstr Design	Godk Appr	Datum Date	Blad Sheet			
					JS		990120	1			
					Ritad Drawn	Sidor Pages	Ritn nr Drawing no	Forts Cont			
								JS	1	HP7600A	-

It is the user's responsibility to ensure that all control devices are correctly installed, cared for and operated to meet all applicable European, national and local codes/regulations. Specifications subject to change without notice.

HP7600B Machine control-Isolation of PLC outputs

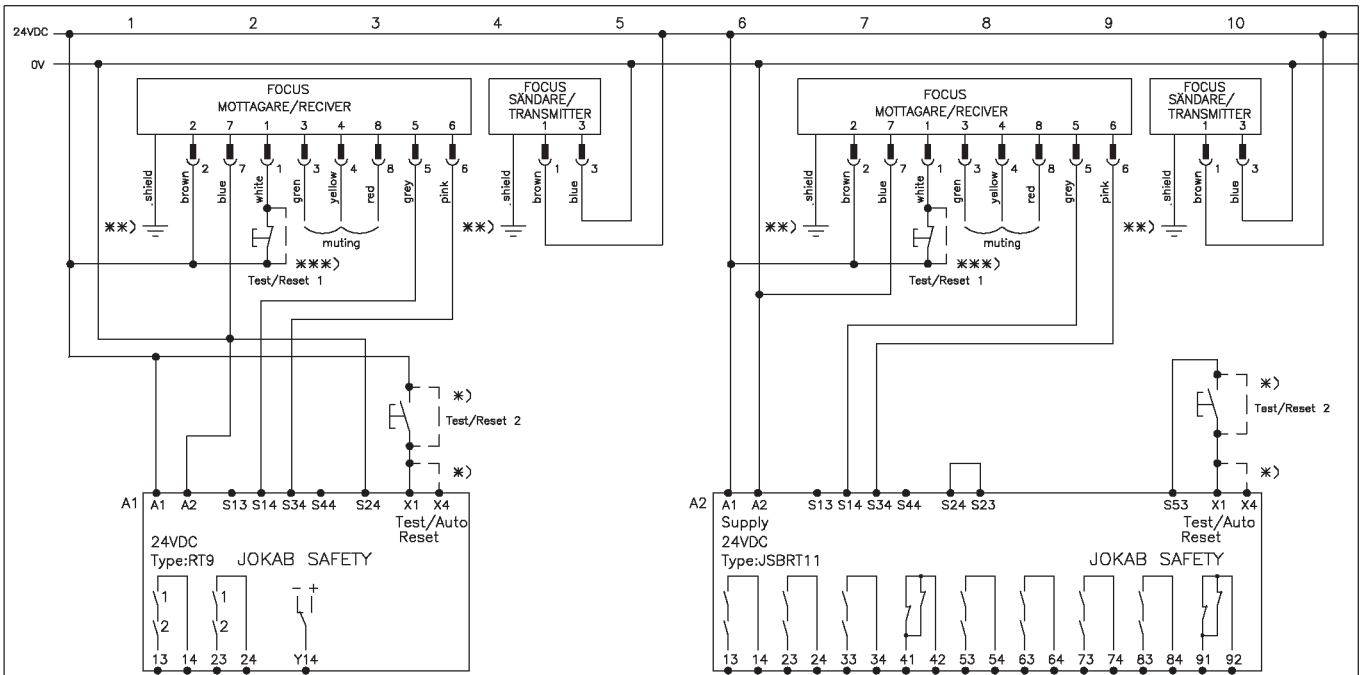


Högriskapplikation t.ex. manuellt betjänade pressar.
High risk application for example manually operated presses.

Anmärkning Remark MASKINSTYRNING - BORTKOPPLING AV PLC-STYRDA UTGÅNGAR MACHINE CONTROL - ISOLATION OF PLC OUTPUTS	≡ JOKAB SAFETY ≡				Konstr Design	Godk Appr	Datum Date	Blad Sheet			
					JS		990120	1			
					Ritad Drawn	Sidor Pages	Ritn nr Drawing no	Forts Cont			
								JS	1	HP7600B	-

It is the user's responsibility to ensure that all control devices are correctly installed, cared for and operated to meet all applicable European, national and local codes/regulations. Specifications subject to change without notice.

HR7200B Focus light curtain/beam



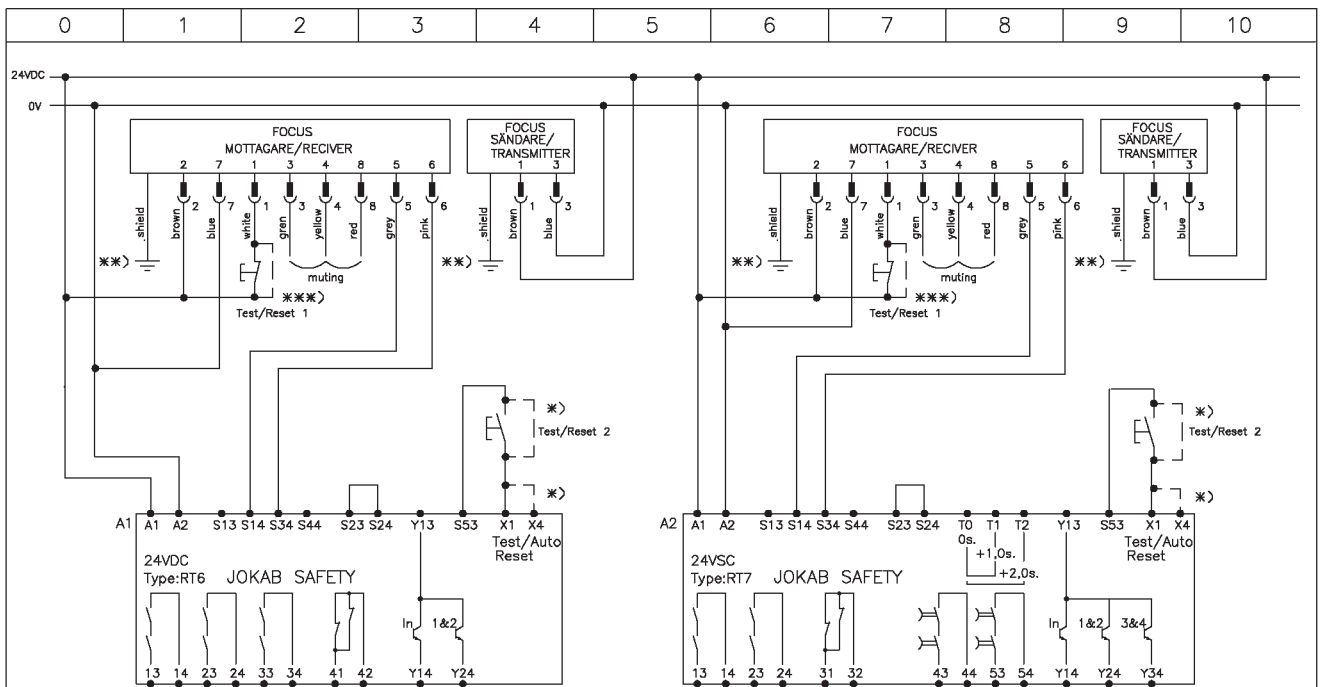
***)Återställning av ljusriddå/ljusbom
För mer information se Focus manual
***)Reset of the Safety Light Curtain/Barrier
For more information se The Focus Manual

*)Automatisk återställning/Automatic reset (säkerhetsrelä/safetyrelays)
**)Skärmen jordas endast i skåpsänden.
**)The cable shield should only be connected at the cabinet end.

Anmärkning Remark FOCUS LJUSRIDDÅ/LJUSBOM FOCUS LIGHT CURTAIN/BEAM	≡ JOKAB SAFETY ≡				Konstr DesignGödk Appr	Datum Date	Blad Sheet
					JS	040311	
					Ritad Drawn	Sidor Pages	Forts Cont
					JS	1	
					Ritn nr	Drawing no	
						HR7200B	

It is the user's responsibility to ensure that all control devices are correctly installed, cared for and operated to meet all applicable European, national and local codes/regulations. Specifications subject to change without notice.

HR7800B Focus lightbeam/curtain



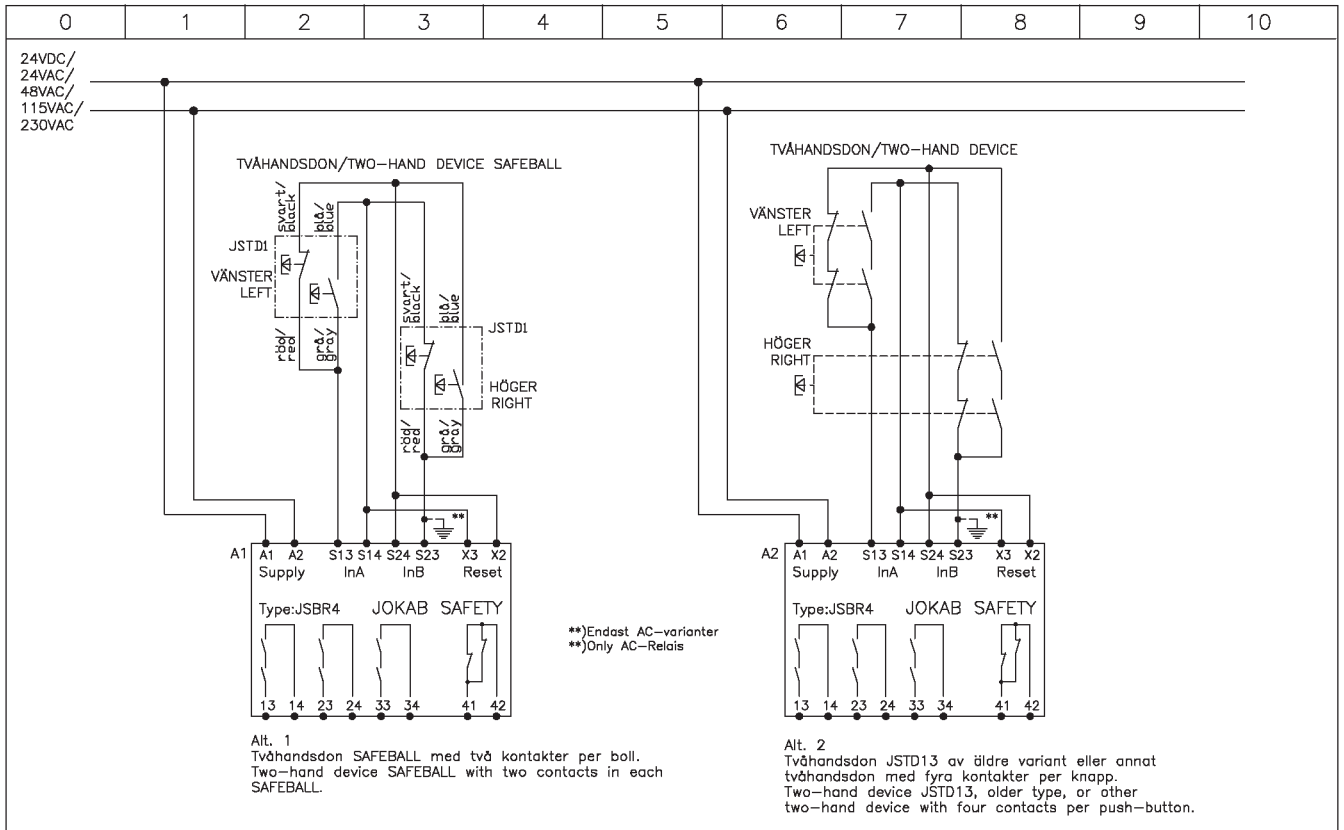
***)Återställning av ljusriddå/ljusbom
För mer information se Focus manual
***)Reset of the Safety Light Curtain/Barrier
For more information se The Focus Manual

*)Automatisk återställning/Automatic reset (säkerhetsrelä/safetyrelays)
**)Skärmen jordas endast i skåpsänden.
**)The cable shield should only be connected at the cabinet end.

Anmärkning Remark FOCUS LJUSBOM/LJUSRIDA FOCUS LIGHTBEAM/CURTAIN	≡ JOKAB SAFETY ≡				Konstr DesignGödk Appr	Datum Date	Blad Sheet
					JS	20040831	
					Ritad Drawn	Sidor Pages	Forts Cont
					JS		
					Ritn nr	Drawing no	
						HR7800B	

It is the user's responsibility to ensure that all control devices are correctly installed, cared for and operated to meet all applicable European, national and local codes/regulations. Specifications subject to change without notice.

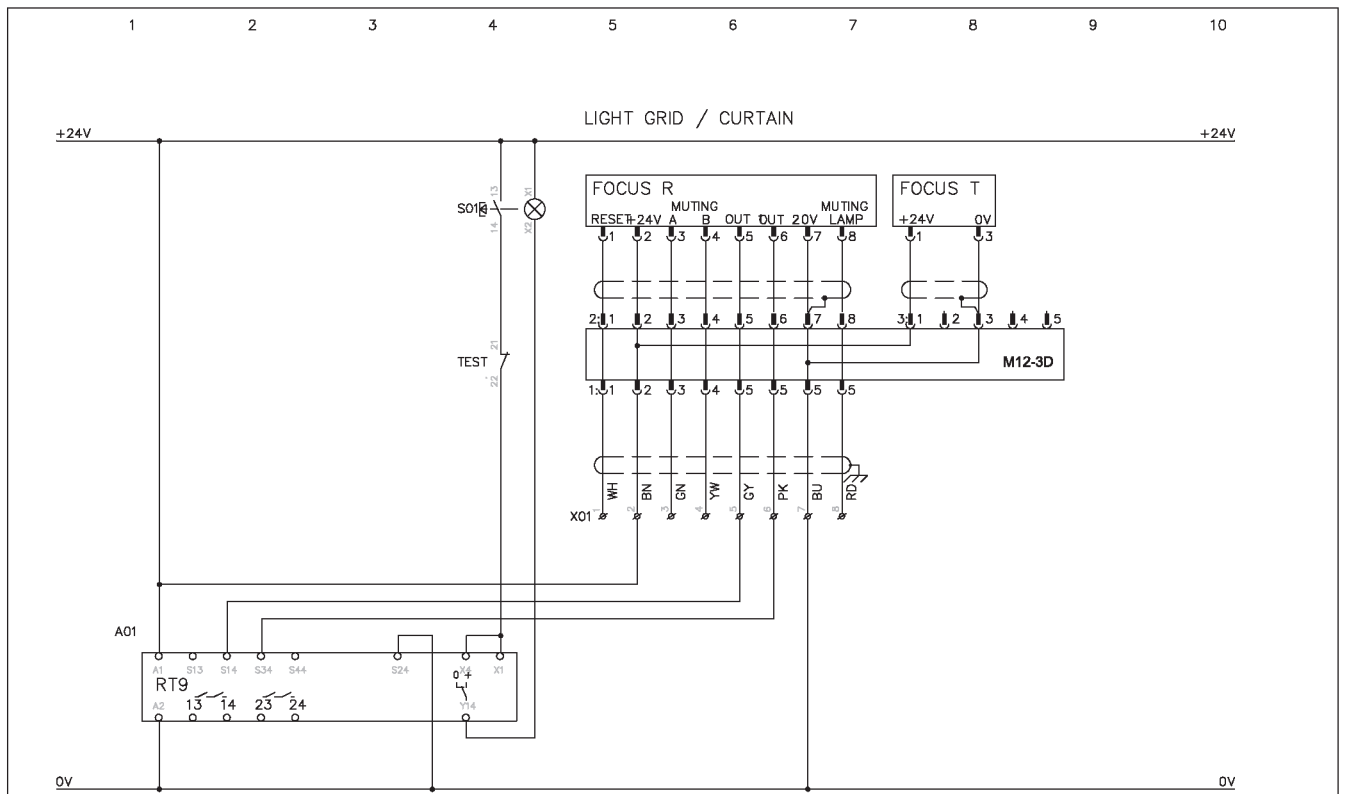
HT5400A Two-hand device with safety relay JSBR4



Anmärkning Remark TVÅHANDSDON MED SÄKERHETSRELÄ JSBR4 TWO-HAND DEVICE WITH SAFETY RELAY JSBR4	≡ JOKAB SAFETY ≡				Konstr Design Godk Appr	Datum Date	Blad Sheet
	Ritad Drawn	Sidor Pages	Ritn nr Drawing no	Forts Cont	JS	000228	1

It is the user's responsibility to ensure that all control devices are correctly installed, cared for and operated to meet all applicable European, national and local codes/regulations. Specifications subject to change without notice.

HB0008A Focus light curtain/light beam connected to an RT9 with the aid of a M12-3D



Anmärkning Remark FOCUS WITH M12-3D TO RT9	≡ JOKAB SAFETY ≡				Konstr Design Godk Appr	Datum Date	Blad Sheet
	Ritad Drawn	Sidor Pages	Ritn nr Drawing no	Forts Cont	JS	20080402	1

It is the user's responsibility to ensure that all control devices are correctly installed, cared for and operated to meet all applicable European, national and local codes/regulations. Specifications subject to change without notice.