

Snap-On Relay Output Module LSRA



Snap-on potential-free relay outputs

for the use of safety light curtains of the ULVT and BLVT series

easy-to-install serial connections with other safety sensors

enables the connection to common safety bus nodes

provides the solution for cost-saving serial connections

offers high switching performance

no more additional switching units required

Application

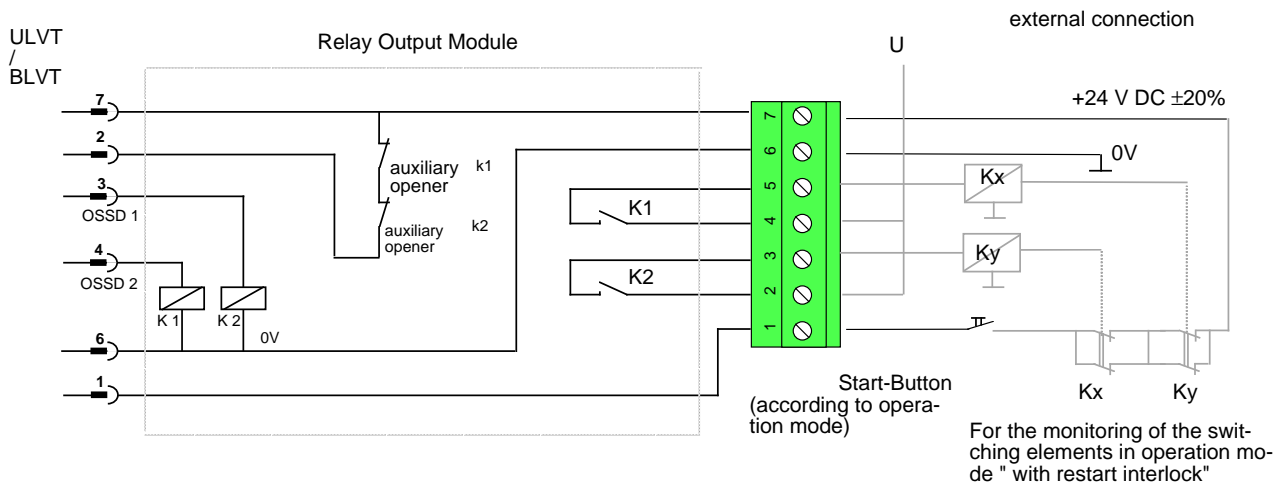
The standard safety light barriers of the ULVT and BLVT series are equipped with electronical semiconductor outputs.

In order to directly connect the barriers to the outputs using higher currents, i.e. higher voltages, a snap-on relay output module has been developed.

Both potential-free relay outputs of the LSRA provide an easy-to-install serial connection of several safety light barriers or safety sensors.

By the use of the snap-on relay output module LSRA, the safety light barriers of the ULVT and BLVT series can be connected to a multitude of safety bus nodes.

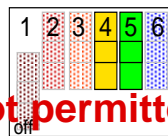
Connection Diagram



Required selection of operational modes at the ULVT

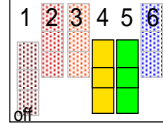
The cable layout of the cables between the terminals 2, 3, 4, 5, must be arranged in a way that there is no possibility of the conductors' short circuiting. Therefore all cables not protected have to be installed in reinforced hoses and/or in cable channels.

without contactor control



not permitted

with contactor control



The operation mode **with contactor control** provides the monitoring of the Relay Output Module. When operating the Relay Output Module with the ULVT, the option "Relay Output Module" must be selected at the ULVT. Refer to page 9 ULVT operating instruction.

Technical Data:

Maximum load capacity of the potential-free contacts:	5A / 50V
Dimensions in mm:	L: 116, B: 46, H: 70
Weight :	200g