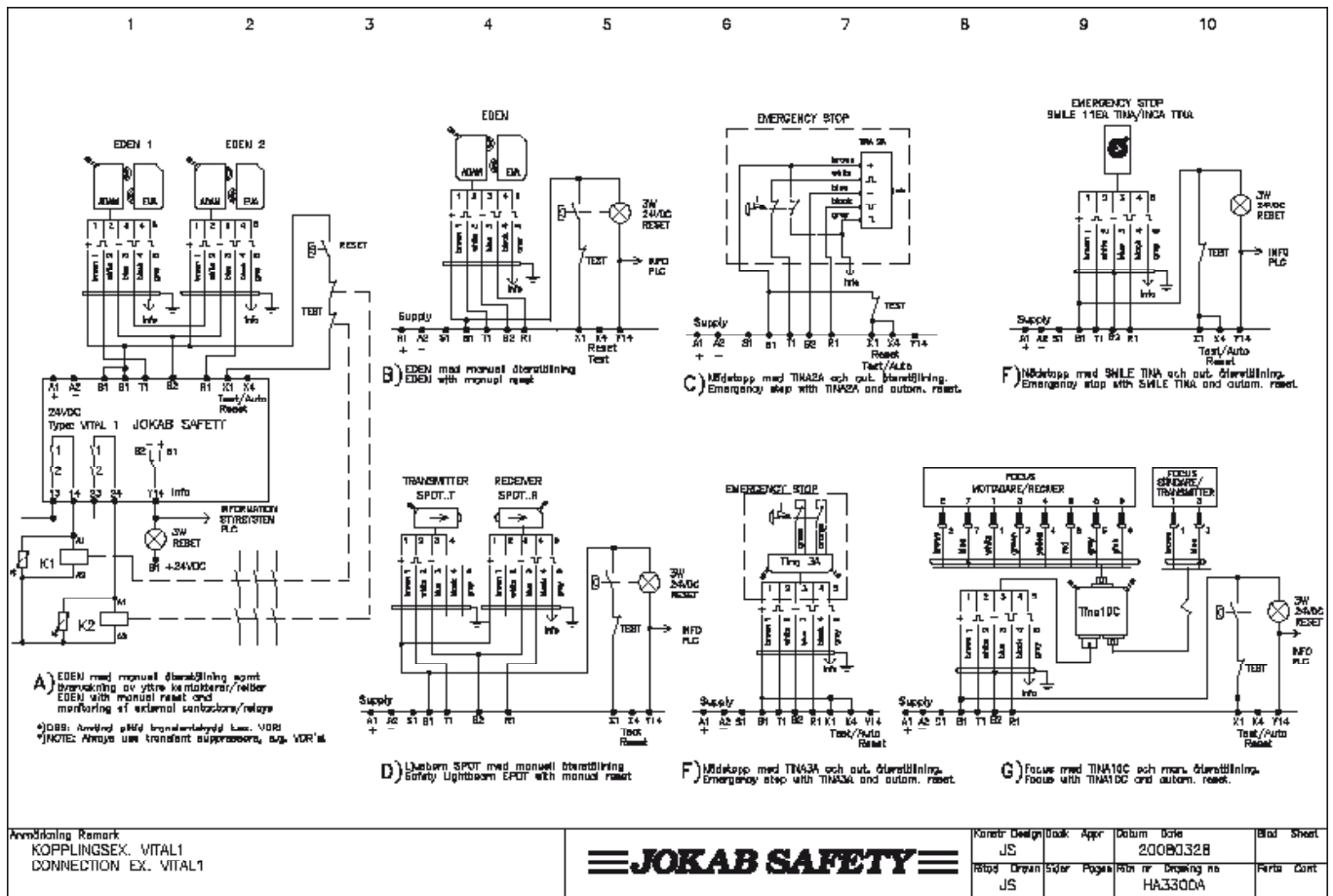


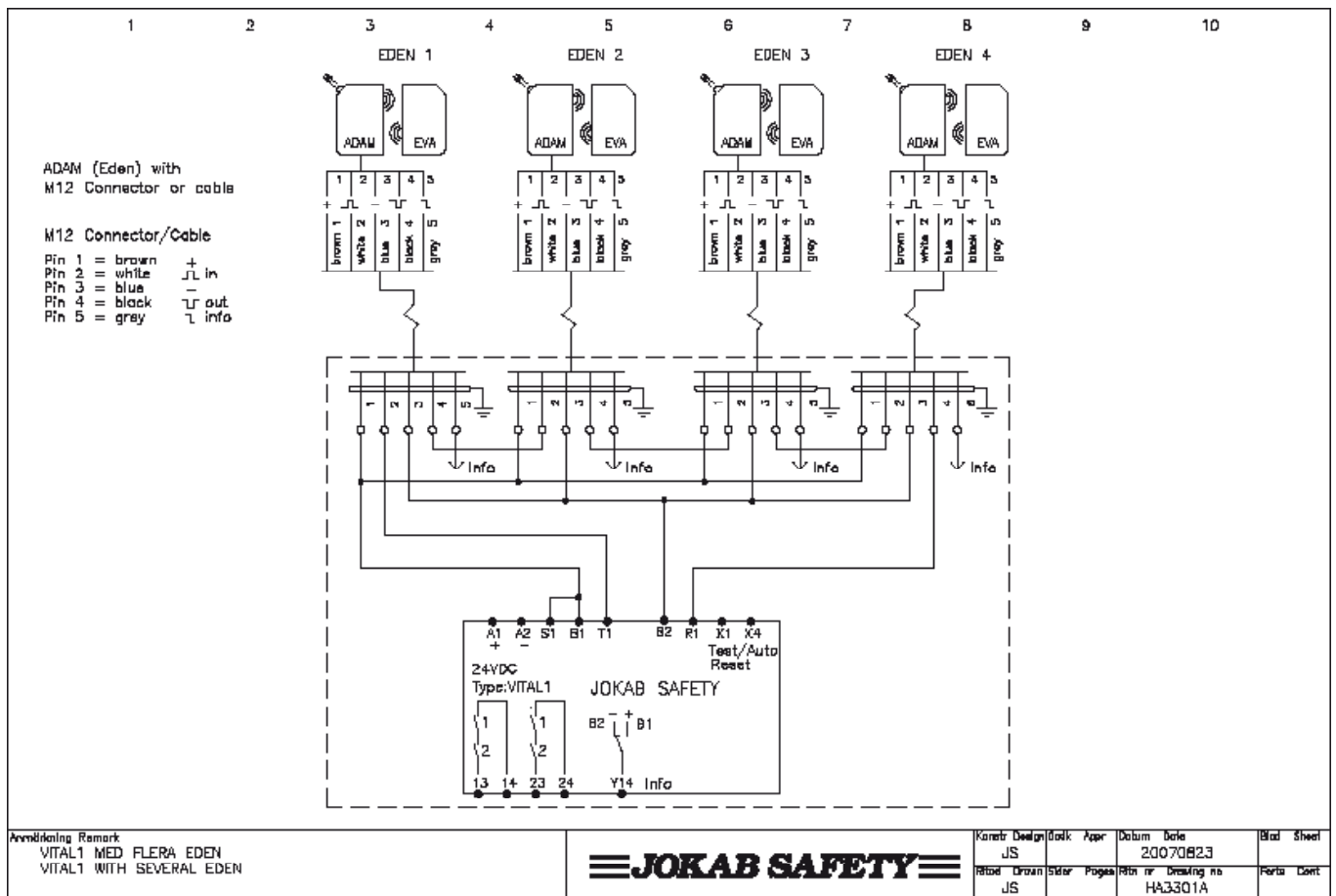
| Spis treści | Page |
|---|------|
| HH3300F Vital 1z Tina 8B Profibus i różnymi rodzajami urządzeń bezpieczeństwa _____ | 3:23 |
| HA3300A Przykład połączenia Vital 1 _____ | 3:25 |
| HA3301A Vital 1 z kilkoma urządzeniami Eden _____ | 3:25 |
| HA3302A Vital 1 i Tina 4A z 4 urządzeniami Eden _____ | 3:26 |
| HA3302B Vital 1 i Tiny 4A i urządzenia Eden z stopem awaryjnym _____ | 3:26 |
| HA3303A Vital 1 z zatrzymaniem bezpieczeństwa i Tina 2A _____ | 3:27 |
| HA3304A Vital 1 z zatrzymaniem bezpieczeństwa i Tina 3A _____ | 3:27 |
| HA3305A Vital 1 Eden i kurtyna świetlna Focus i Tina 10C _____ | 3:28 |
| HA3306C Vital 1 z barierami optoelektrycznymi Spot _____ | 3:28 |
| HA3306D Vital 1 z barierami optoelektrycznymi Spot _____ | 3:29 |
| HA3307A Vital 1, Eden, kurtyna świetlna i Tina 3 oraz stop awaryjny i Tina 7A _____ | 3:29 |
| HD3800A Vital 1 z barierami optoelektrycznymi bezpieczeństwa Spot _____ | 3:30 |
| HD3801A Vital 1, połączenia szeregowo i równoległe elementów dynamicznych _____ | 3:30 |
| HE3811A Bariera optoelektryczna bezpieczeństwa Spot z resetem ograniczonym czasowo ____ | 3:31 |
| HE3824C Bariera optoelektryczna z mutingiem ograniczonym czasowo 0,2-4,0s. _____ | 3:31 |
| HE3824D Eden i muting bariery optoelektrycznej z Eden _____ | 3:32 |
| HE3824E Bariery optoelektryczne z mutingiem ograniczonym czasowo 0,2-4,0s _____ | 3:32 |
| HE3824F Eden 2 bariery optoelektryczne z mutingiem z Eden _____ | 3:33 |
| HE3824G Eden i 2 osobno mutowane bariery optoelektryczne _____ | 3:33 |
| HH3300A Vital 1z różnymi rodzajami urządzeń bezpieczeństwa i M12-3A _____ | 3:34 |
| HH3300D Vital 1 z Tiną 4A i różnymi rodzajami urządzeń bezpieczeństwa _____ | 3:34 |
| HH3302D Vital 1 z Tiną 8A i różnymi rodzajami urządzeń bezpieczeństwa _____ | 3:35 |
| HH3301E Przykłady połączeń Vital1 _____ | 3:35 |
| HH3400A2 Vital 1 Rozwiązania _____ | 3:36 |
| HB0005A Vital z zatrzymaniem awaryjnym Smile, z oddzielnym resetem _____ | 3:36 |
| HB0006A Vital z 4 jednostkami Eden + reset poprzez M12-3E i Tinę 4A _____ | 3:37 |
| HB0007A Vital z dwoma jednostkami Dalton poprzez Tinę 12A _____ | 3:37 |
| HB0001A Pluto ze stopami awaryjnymi + reset poprzez M12-3E i Adam poprzez Tina 4A _____ | 3:38 |
| HB0002A Pluto z pięcioma jednostkami Eden, dla dwóch stref poprzez M12-3E i Tina 4A _____ | 3:38 |
| HB0003A Pluto z pięcioma jednostkami Smile, poprzez urządzenie Tina 11A i Tina 4A _____ | 3:39 |
| HB0004A Pluto z różnymi strefami dla Eden + reset i dwie jednostki Eden + poprzez M12-3E ____ | 3:39 |

HA3300A Przykład połączenia Vital 1



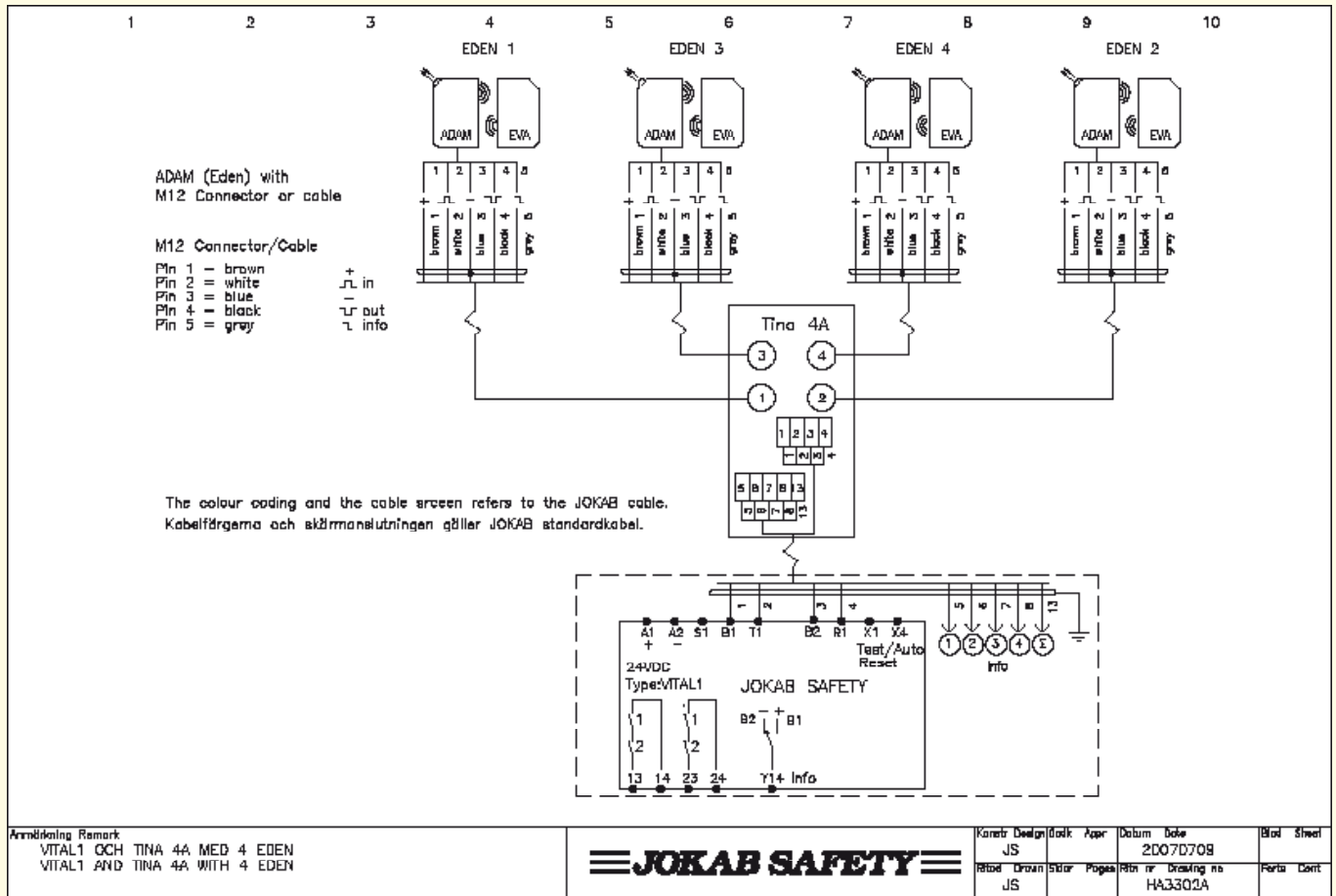
It is the user's responsibility to ensure that all control devices are correctly installed, cared for and operated to meet European, national and local codes/regulations. Subject to change without notice.

HA3301A Vital 1 z kilkoma urządzeniami Eden



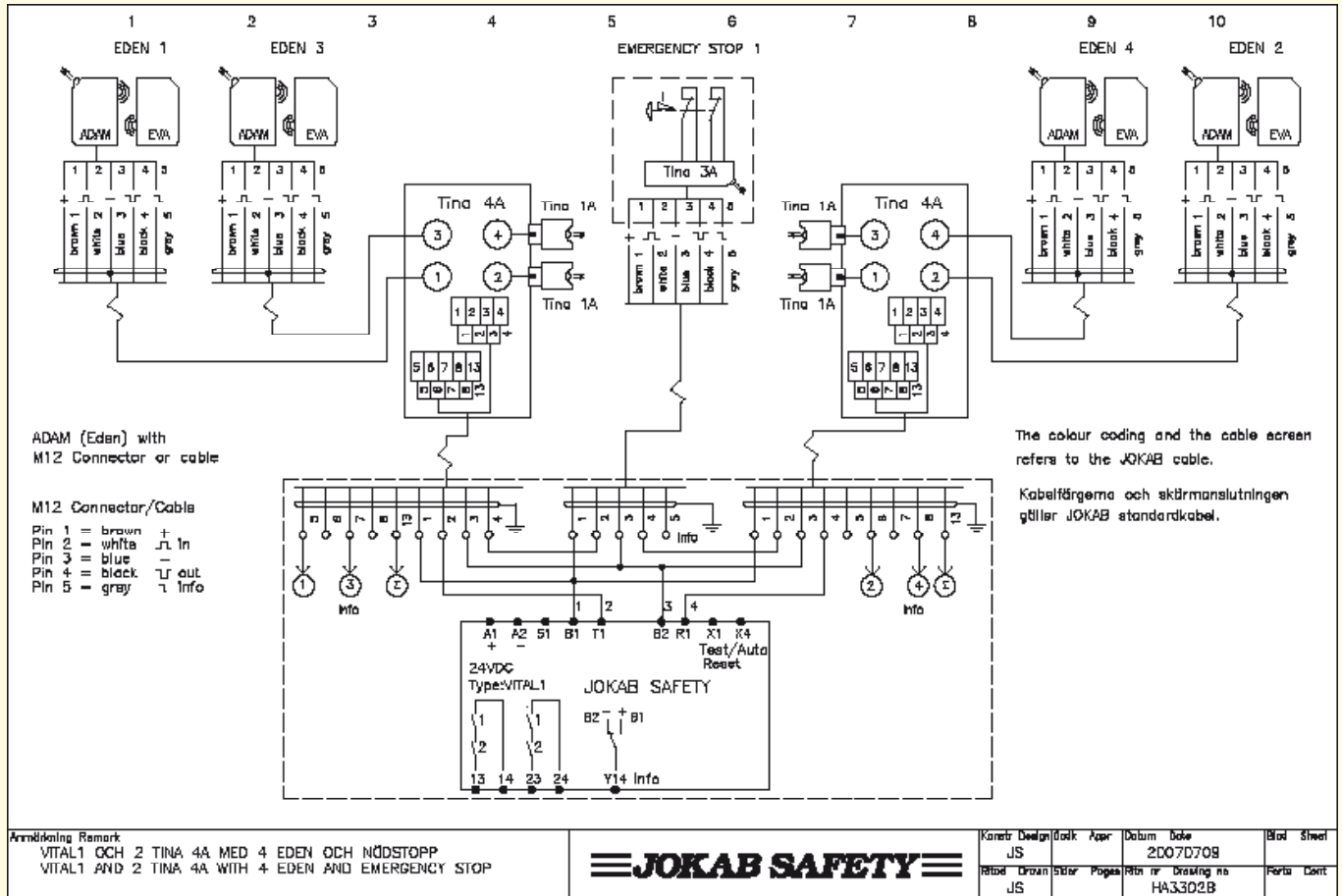
It is the user's responsibility to ensure that all control devices are correctly installed, cared for and operated to meet European, national and local codes/regulations. Subject to change without notice.

HA3302A Vital 1 i Tina 4A z 4 urządzeniami Eden



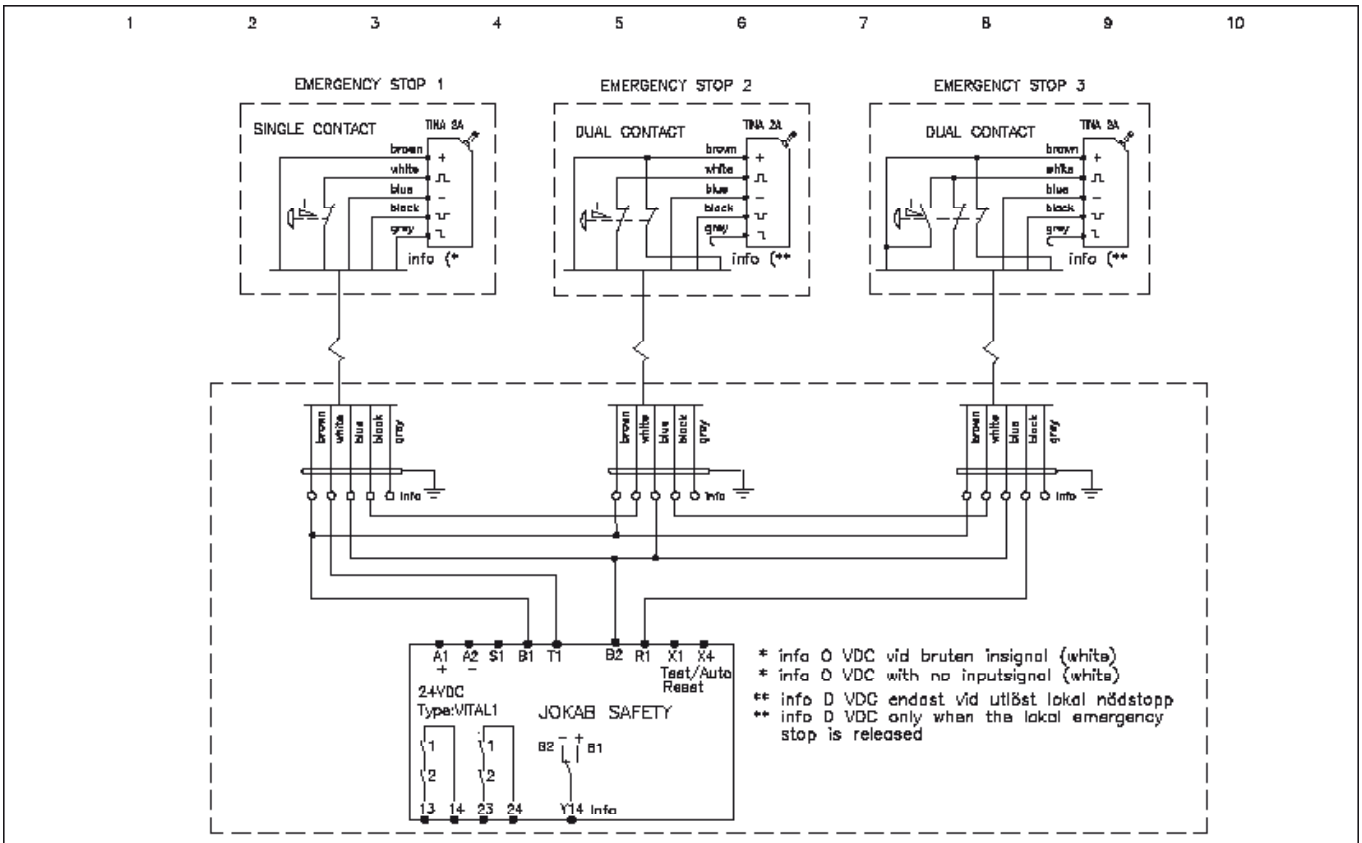
It is the user's responsibility to ensure that all control devices are correctly installed, cared for and operated to meet European, national and local codes/regulations. Subject to change without notice.

HA3302B Vital 1 i 2 Tina 4A i 4urządzenia Eden z zatrzymaniem awaryjnym



It is the user's responsibility to ensure that all control devices are correctly installed, cared for and operated to meet European, national and local codes/regulations. Subject to change without notice.

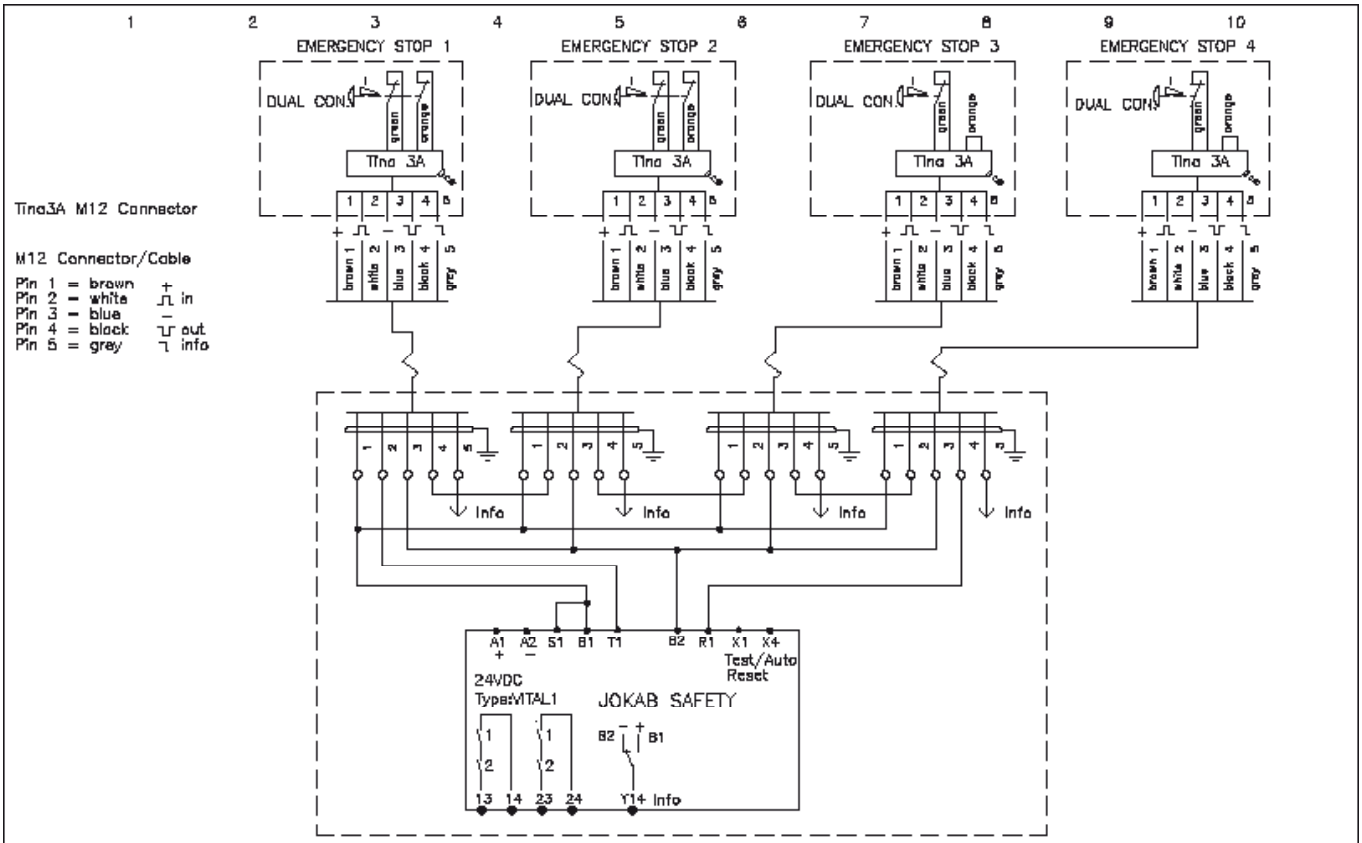
HA3303A Vital 1 z zatrzymaniem bezpieczeństwa / Tina 2A



| | | | | | | | | |
|--|---------------------|----|----------|--|----------------|-------------|--------------------|------------|
| Anmärkning Remark VITAL1 MED NÖDSTOPP/TINA 2A VITAL1 WITH EMERGENCY STOP/TINA 2A | JOKAB SAFETY | | | | Konstr. Design | Gråk. Appr. | Datum Date | Blad Sheet |
| | JS | JS | 20070911 | | Metod Drawn | Står Pages | Ritn nr Drawing no | Porta Cont |
| | | | | | JS | | HA3303B | |

It is the user's responsibility to ensure that all control devices are correctly installed, cared for and operated to meet European, national and local codes/regulations. Subject to change without notice.

HA3304A Vital 1 z zatrzymaniem bezpieczeństwa / Tina 3A

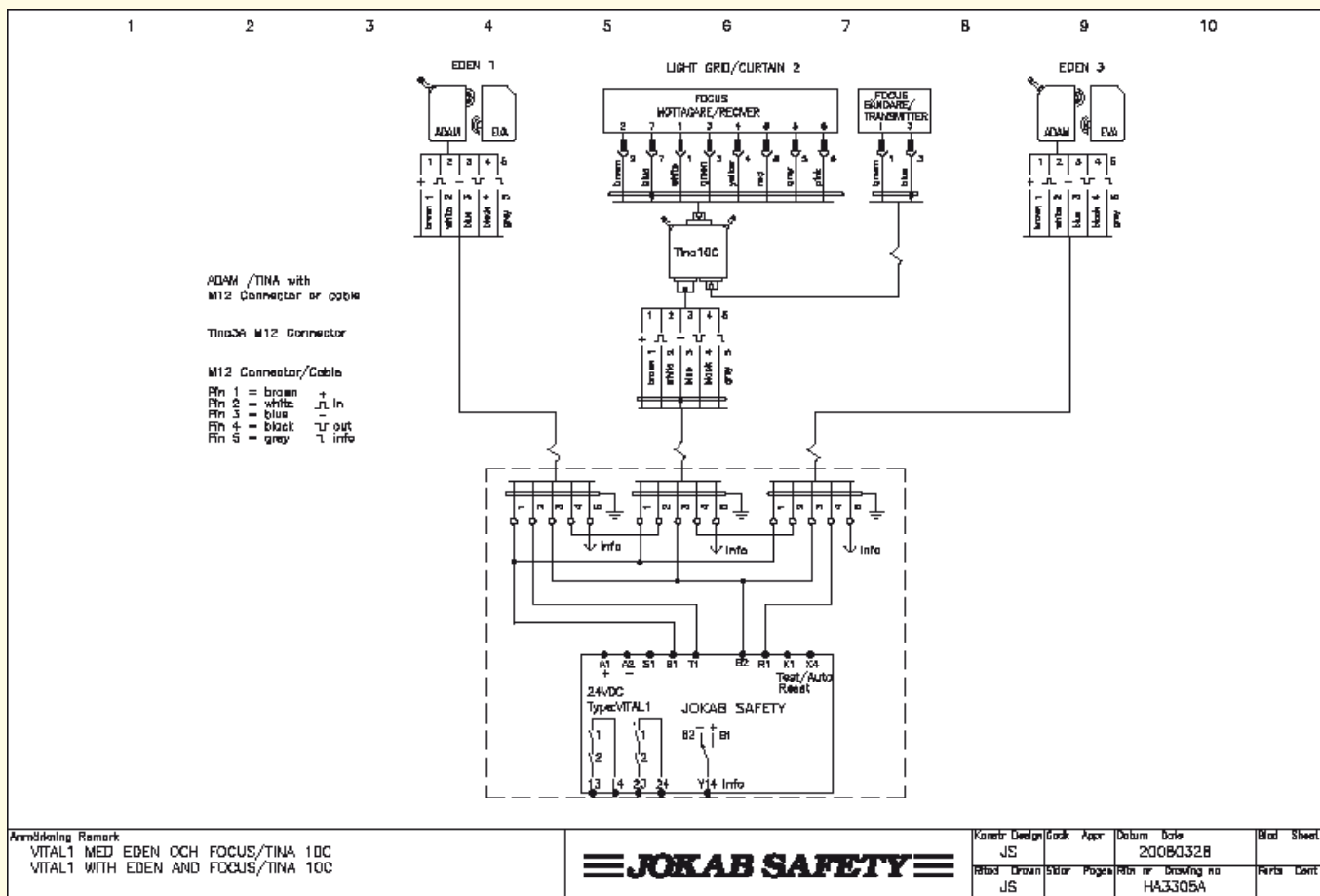


Tina3A M12 Connector
 M12 Connector/Cable
 Pin 1 = brown +
 Pin 2 = white -
 Pin 3 = blue -
 Pin 4 = black -
 Pin 5 = grey -
 Info

| | | | | | | | | |
|--|---------------------|----|----------|--|----------------|-------------|--------------------|------------|
| Anmärkning Remark VITAL1 MED NÖDSTOPP/TINA 3A VITAL1 WITH EMERGENCY STOP/TINA 3A | JOKAB SAFETY | | | | Konstr. Design | Gråk. Appr. | Datum Date | Blad Sheet |
| | JS | JS | 20070823 | | Metod Drawn | Står Pages | Ritn nr Drawing no | Porta Cont |
| | | | | | JS | | HA3304A | |

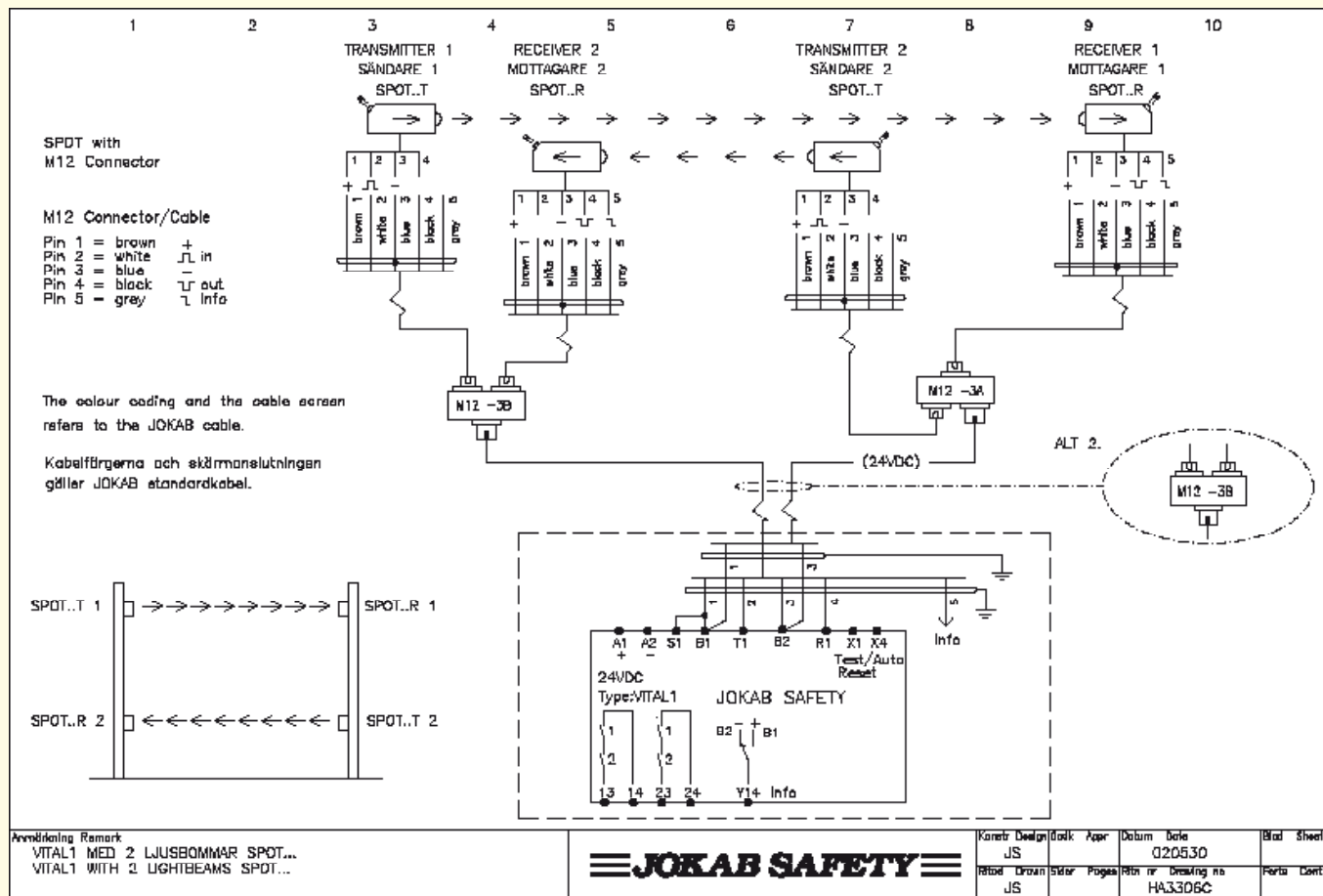
It is the user's responsibility to ensure that all control devices are correctly installed, cared for and operated to meet European, national and local codes/regulations. Subject to change without notice.

HA3305A Vital 1 z Eden oraz siatką świetlną Focus i Tina 10C



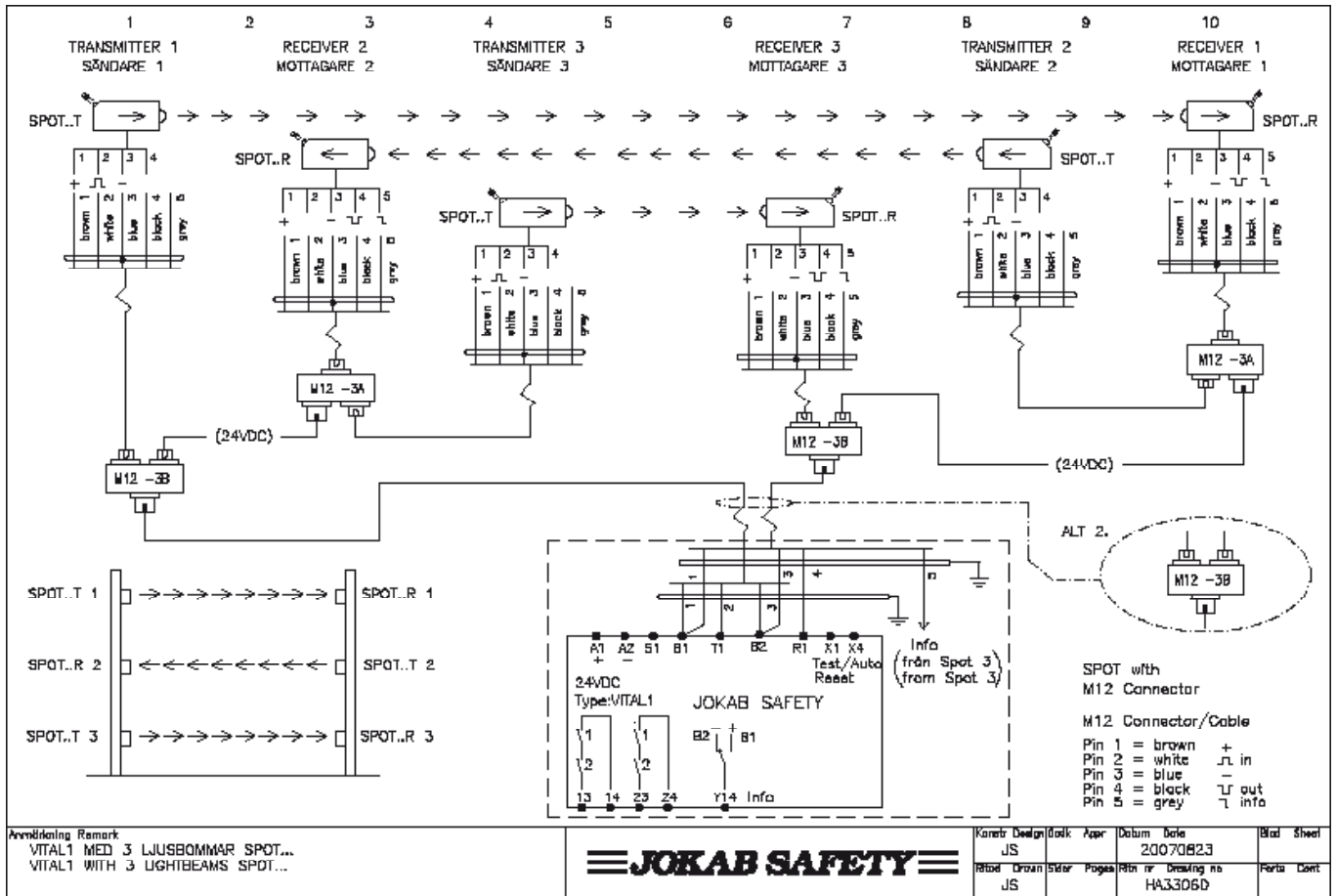
It is the user's responsibility to ensure that all control devices are correctly installed, cared for and operated to meet European, national and local codes/regulations. Subject to change without notice.

HA3306C Vital 1 z 2 barierami optoelektrycznymi Spot



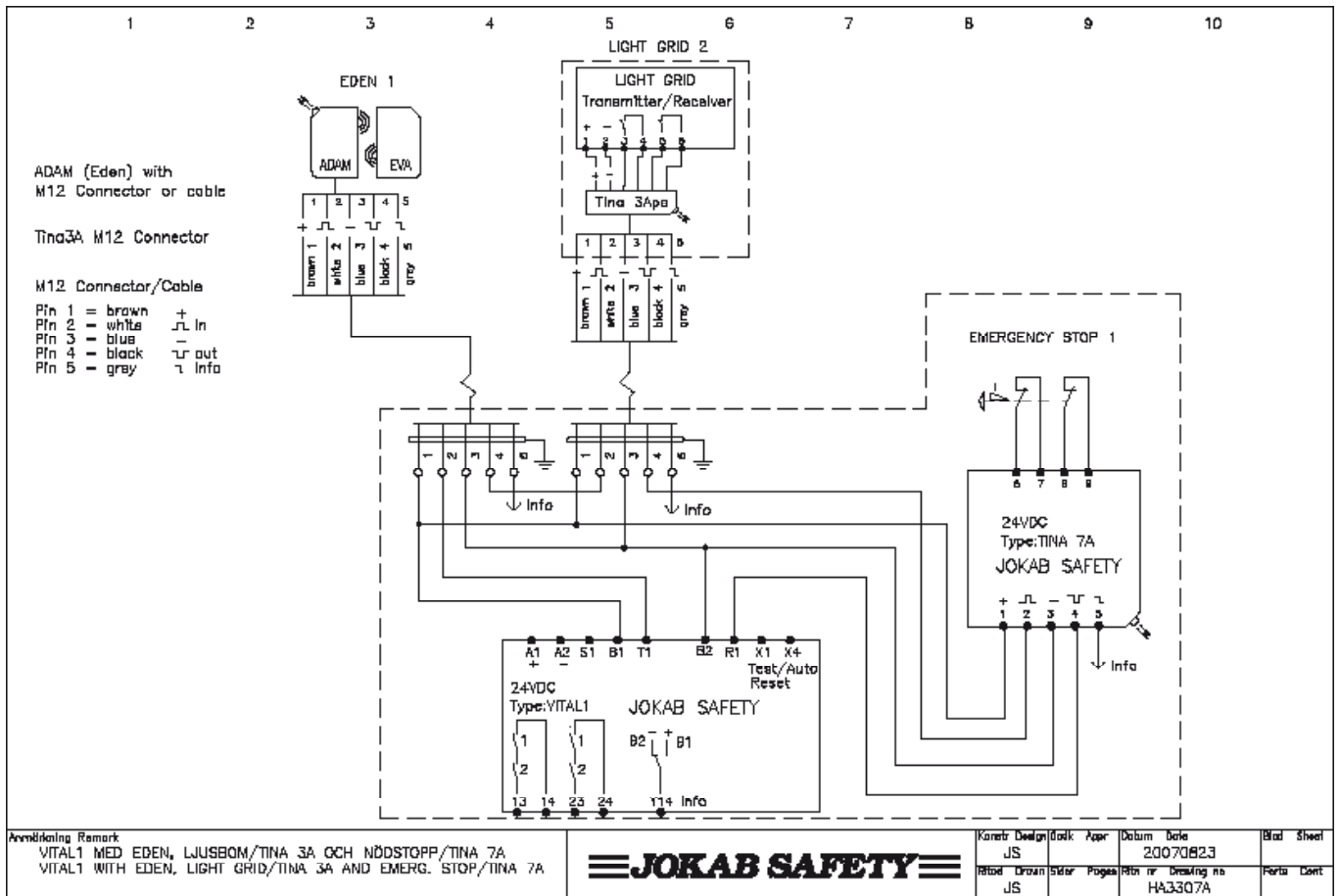
It is the user's responsibility to ensure that all control devices are correctly installed, cared for and operated to meet European, national and local codes/regulations. Subject to change without notice.

HA3306D Vital 1 z 3 barierami optoelektrycznymi Spot



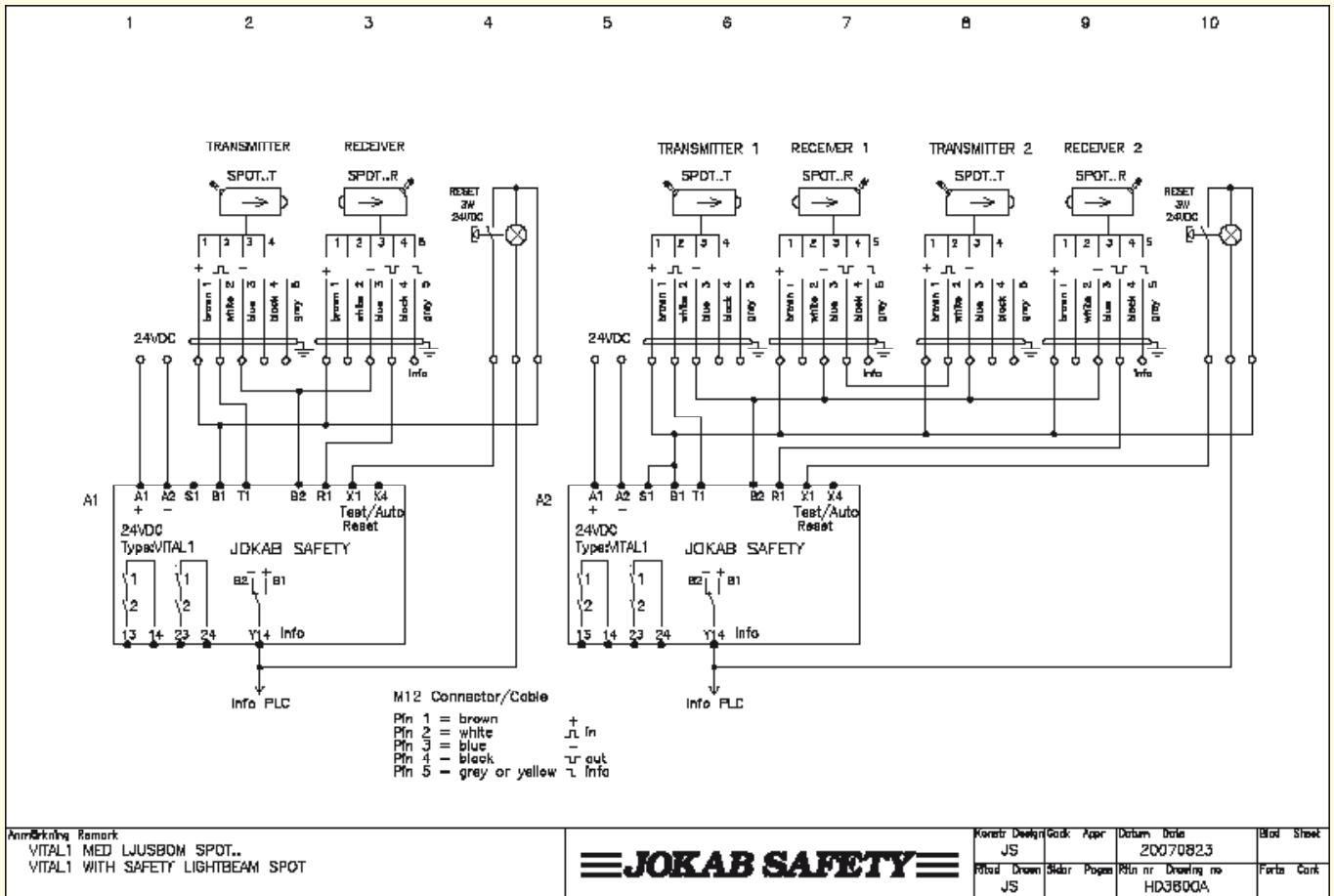
It is the user's responsibility to ensure that all control devices are correctly installed, cared for and operated to meet European, national and local codes/regulations. Subject to change without notice.

HA3307A Vital 1 Eden z siatką świetlną / Tina 3 oraz zatrzymaniem awaryjnym / Tina 7A



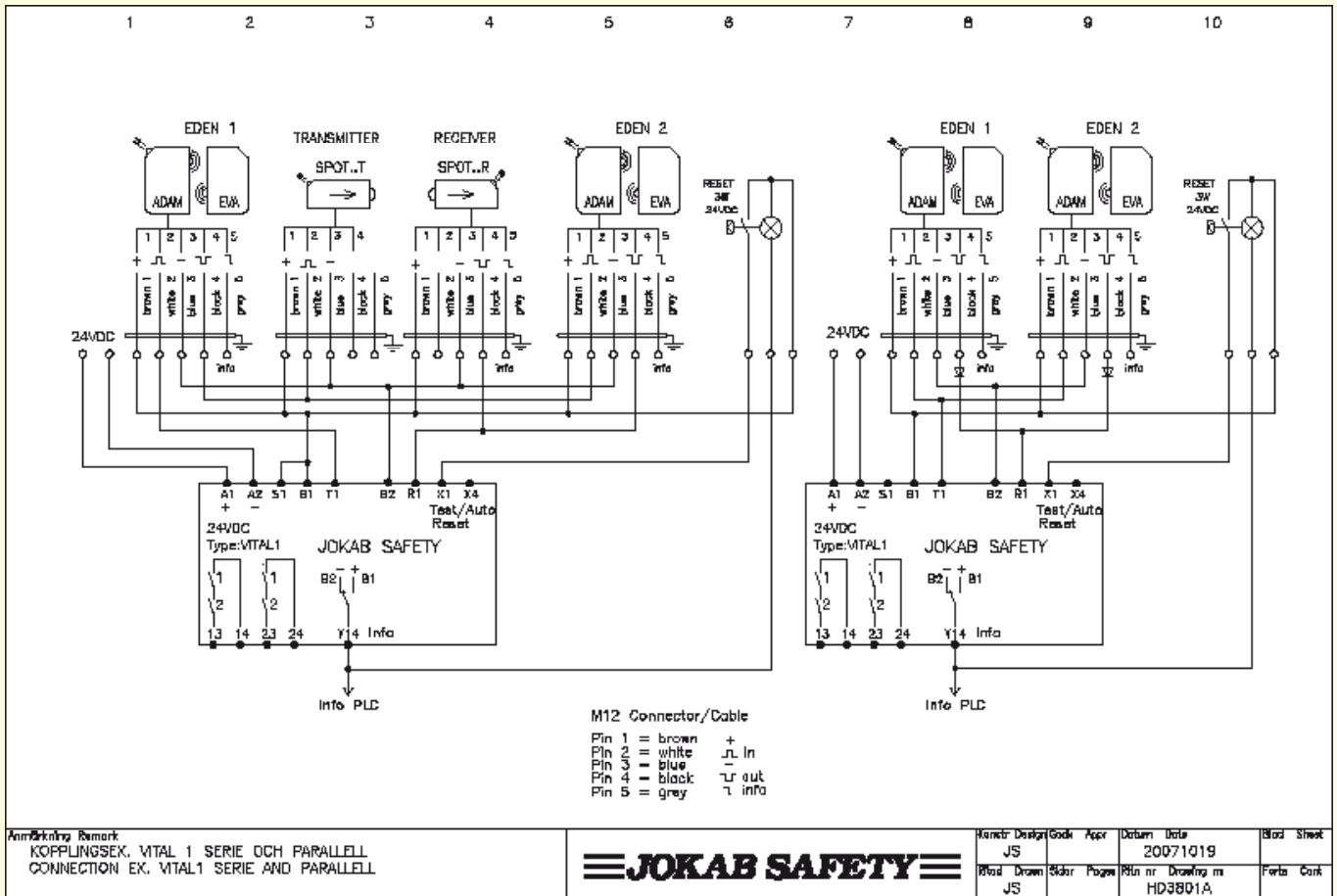
It is the user's responsibility to ensure that all control devices are correctly installed, cared for and operated to meet European, national and local codes/regulations. Subject to change without notice.

HD3800A Vital 1 z barierami optoelektrycznymi bezpieczeństwa Spot



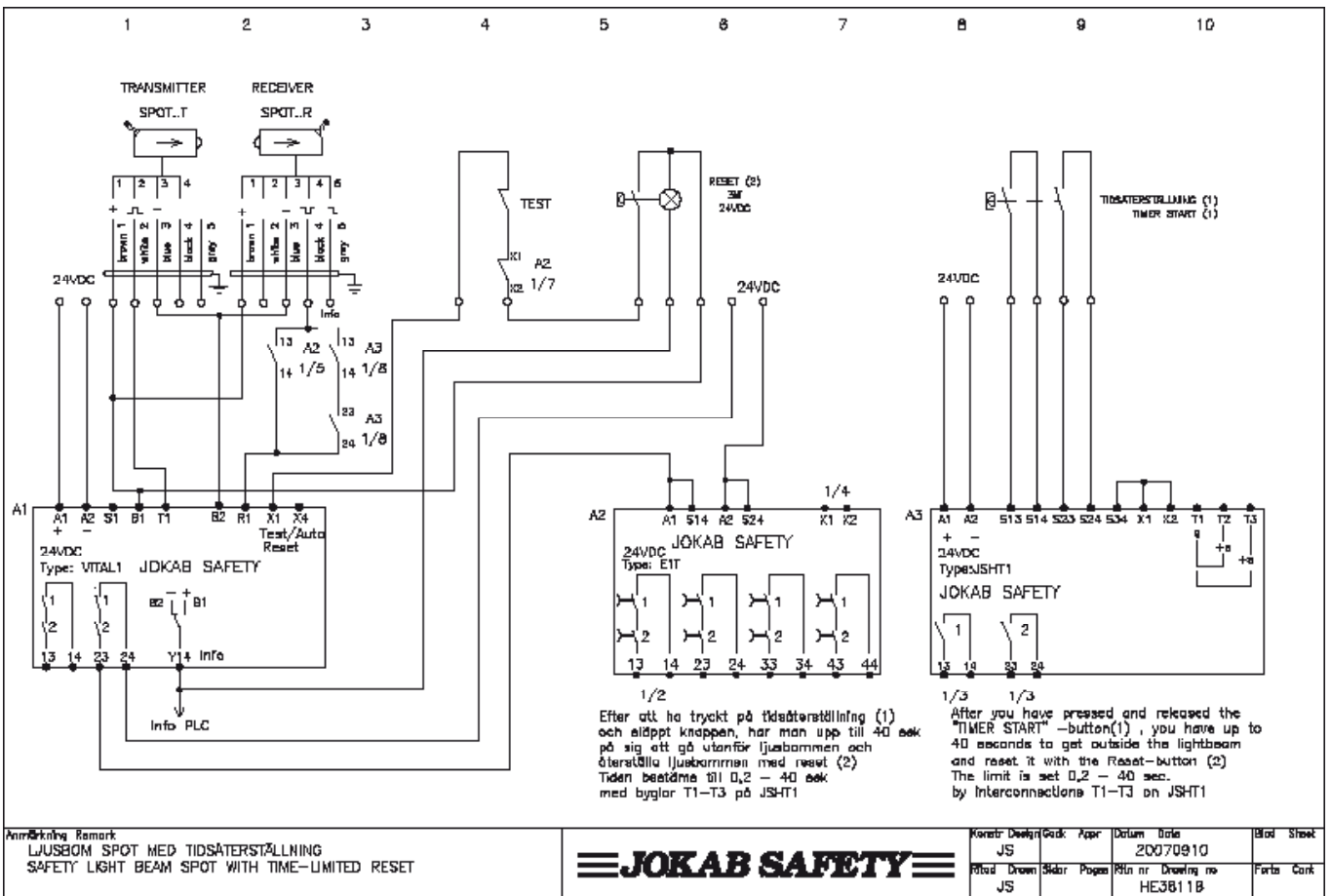
It is the user's responsibility to ensure that all control devices are correctly installed, cared for and operated to meet European, national and local codes/regulations. Subject to change without notice.

HD3801A Vital 1, szeregowe i równoległe

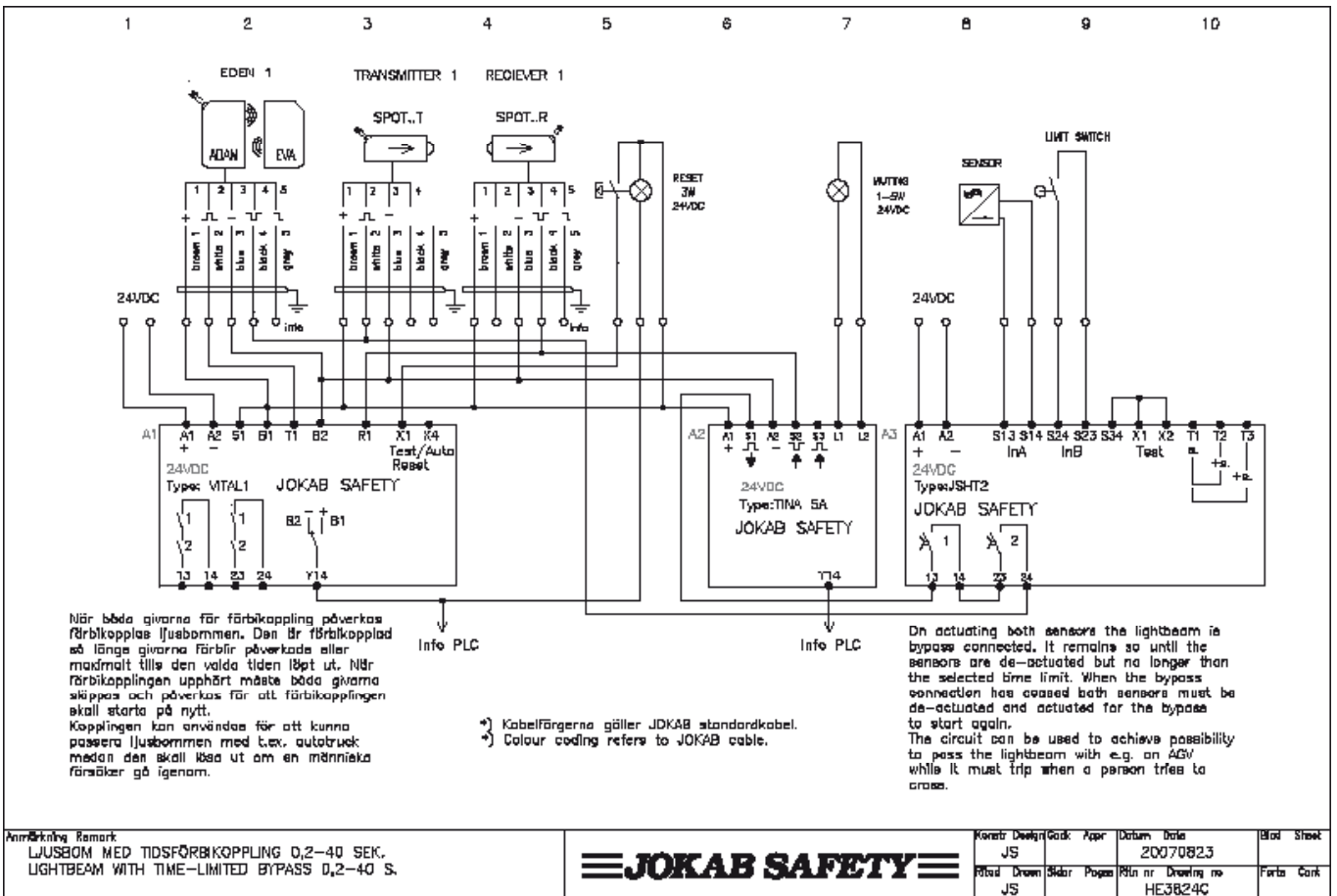


It is the user's responsibility to ensure that all control devices are correctly installed, cared for and operated to meet European, national and local codes/regulations. Subject to change without notice.

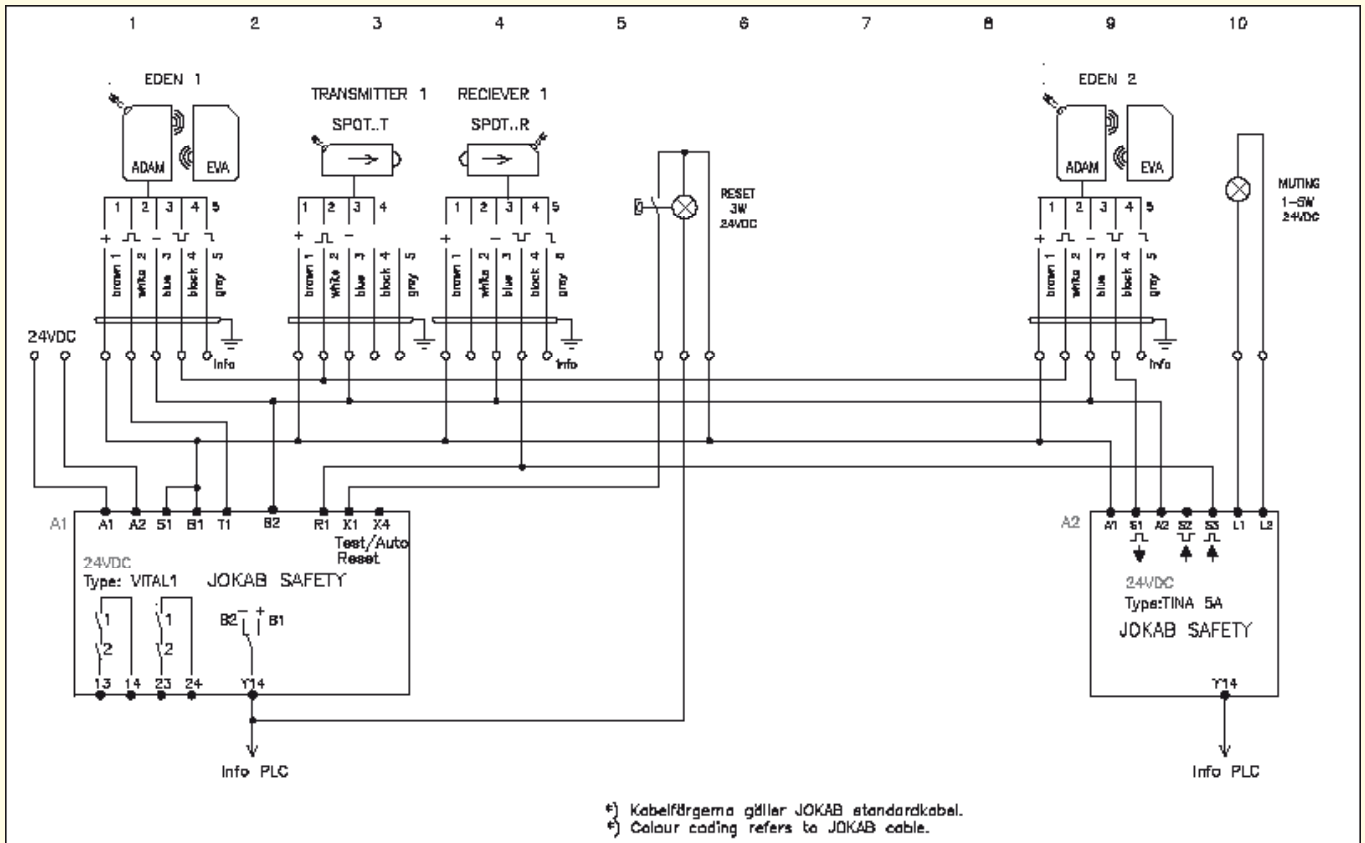
HE3811A Bariera optoelektryczna bezpieczeństwa Spot z resetem ograniczonym czasowo



HE3824C Bariera optoelektryczna z obejściem ograniczonym czasowo 0,2-4,0s.



HE3824D Eden i obchodzona/bypassed bariera optoelektryczna z Eden

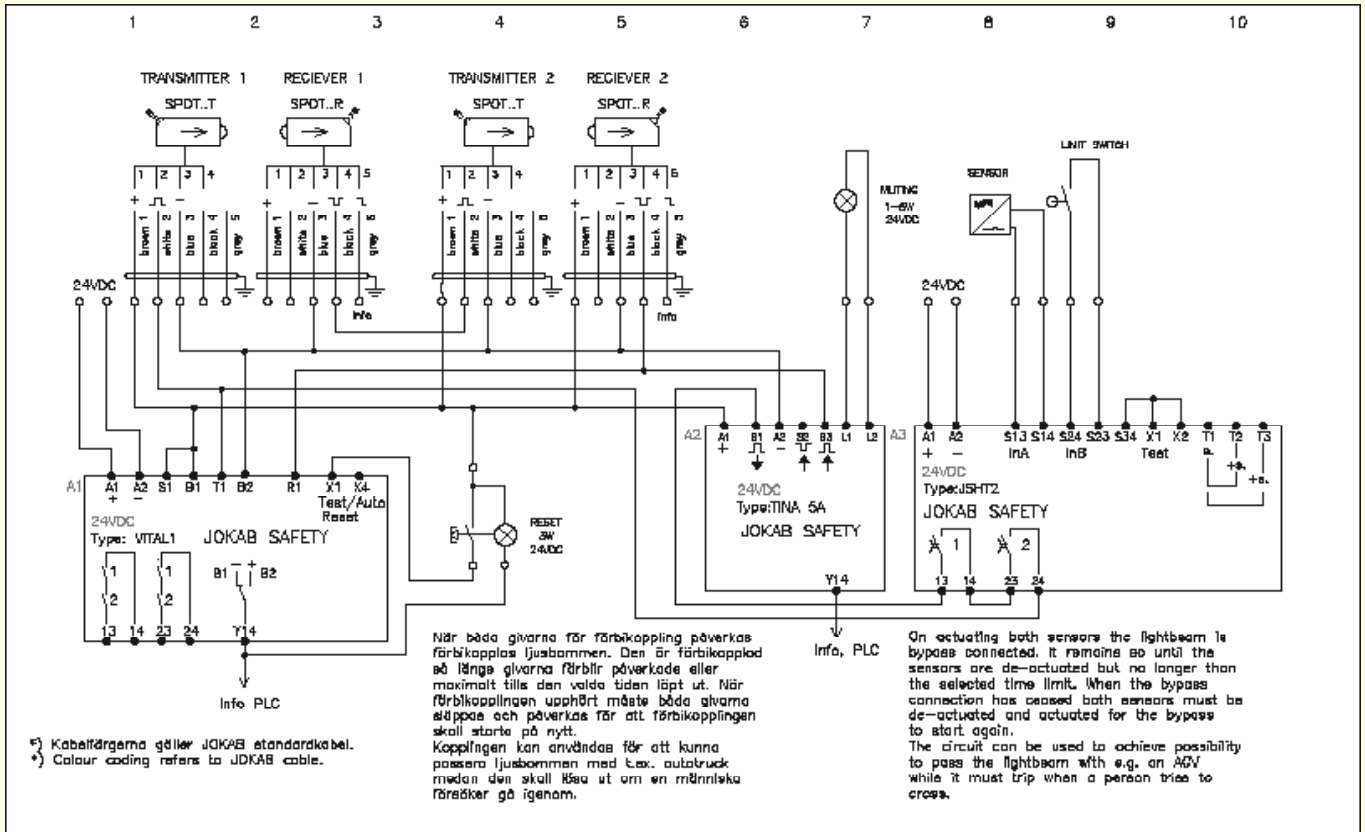


* Kabelfärgerna gäller JOKAB standardkabel.
 *) Colour coding refers to JOKAB cable.

| | | | | | | | | |
|--|---------------------|----|----|----------------|-------------|--------------|--------------------|-------------|
| Anmärkning Remark EDEN OCH FÖRBIKOPPLAD LJUSBOM MED EDEN EDEN AND BYPASSED LIGHTBEAM WITH EDEN | JOKAB SAFETY | | | Konstr. Design | Gösk. Gask | Appr. Appr | Datum Date | Blad Sheet |
| | JS | JS | JS | 20070823 | Ritad Drawn | Skisar Pages | Ritn nr Drawing no | Första Cont |
| | | | | HE3824D | | | | |

It is the user's responsibility to ensure that all control devices are correctly installed, cared for and operated to meet European, national and local codes/regulations. Subject to change without notice.

HE3824E Bariery optoelektryczne z obejściem time limited/ograniczonym czasowo 0,2-4



När båda givarna för förbikoppling påverkas förbikopplas ljusbommen. Den är förbikopplad så länge givarna förblir påverkade eller maximalt tills den valda tiden löpt ut. När förbikopplingen upphört måste båda givarna släppas och påverkas för att förbikopplingen skall starta på nytt. Kopplingen kan användas för att kunna passera ljusbommen med t.ex. autotruck medan den skall låsa ut om en människa försöker gå igenom.

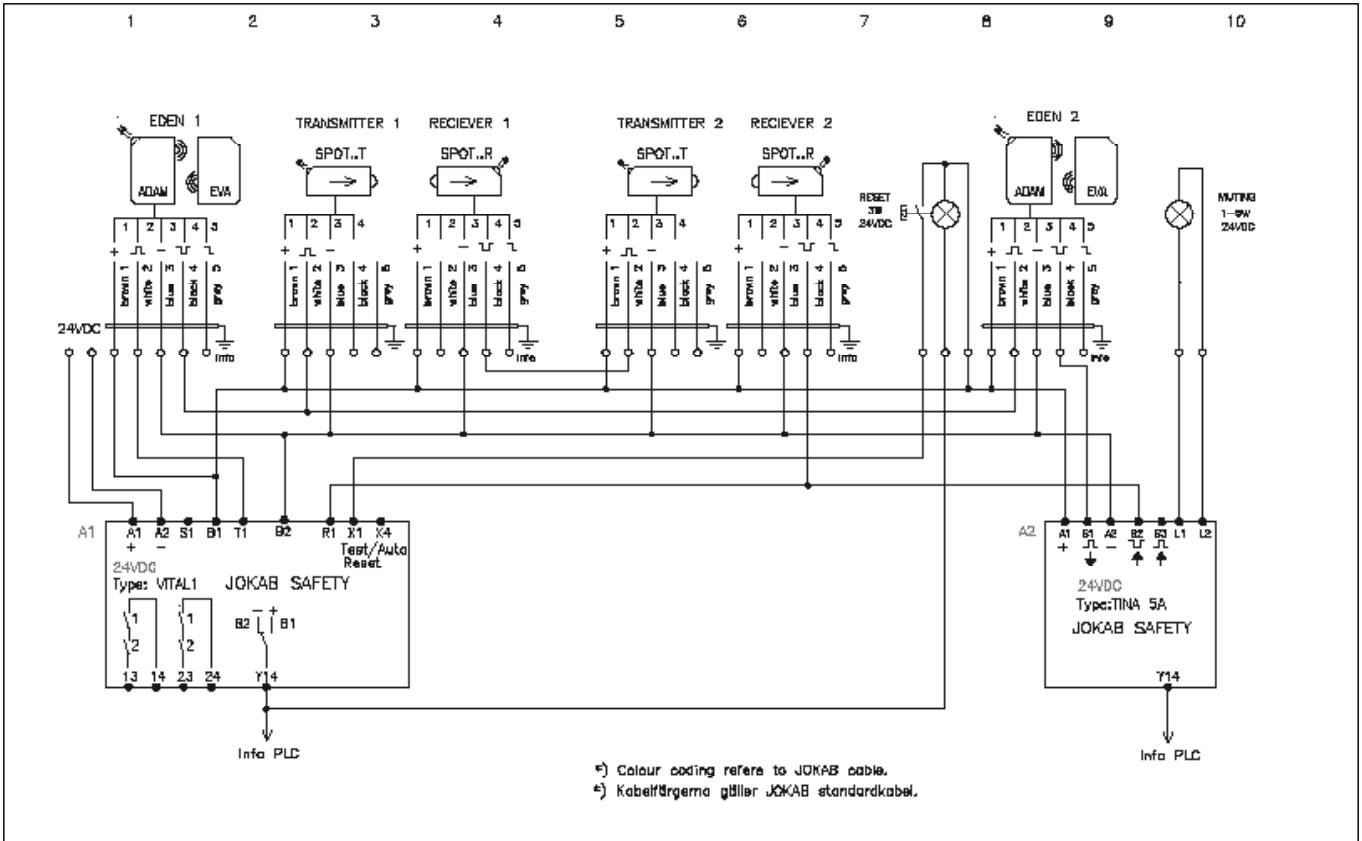
On actuating both sensors the lightbeam is bypass connected. It remains so until the sensors are de-actuated but no longer than the selected time limit. When the bypass connection has ceased both sensors must be de-actuated and actuated for the bypass to start again. The circuit can be used to achieve possibility to pass the lightbeam with e.g. an AGV while it must trip when a person tries to cross.

* Kabelfärgerna gäller JOKAB standardkabel.
 *) Colour coding refers to JOKAB cable.

| | | | | | | | | |
|--|---------------------|----|----|----------------|-------------|--------------|--------------------|-------------|
| Anmärkning Remark LJUSBOMMAR MED TIDSFÖRBIKOPPLING 0,2-40 SEK. LIGHTBEAMS WITH TIME-LIMITED BYPASS 0,2-40 S. | JOKAB SAFETY | | | Konstr. Design | Gösk. Gask | Appr. Appr | Datum Date | Blad Sheet |
| | JS | JS | JS | 20070823 | Ritad Drawn | Skisar Pages | Ritn nr Drawing no | Första Cont |
| | | | | HE3824E | | | | |

It is the user's responsibility to ensure that all control devices are correctly installed, cared for and operated to meet European, national and local codes/regulations. Subject to change without notice.

HE3824F Eden i 2 bariery optoelektryczne z obejściem/bypass light beam z Eden

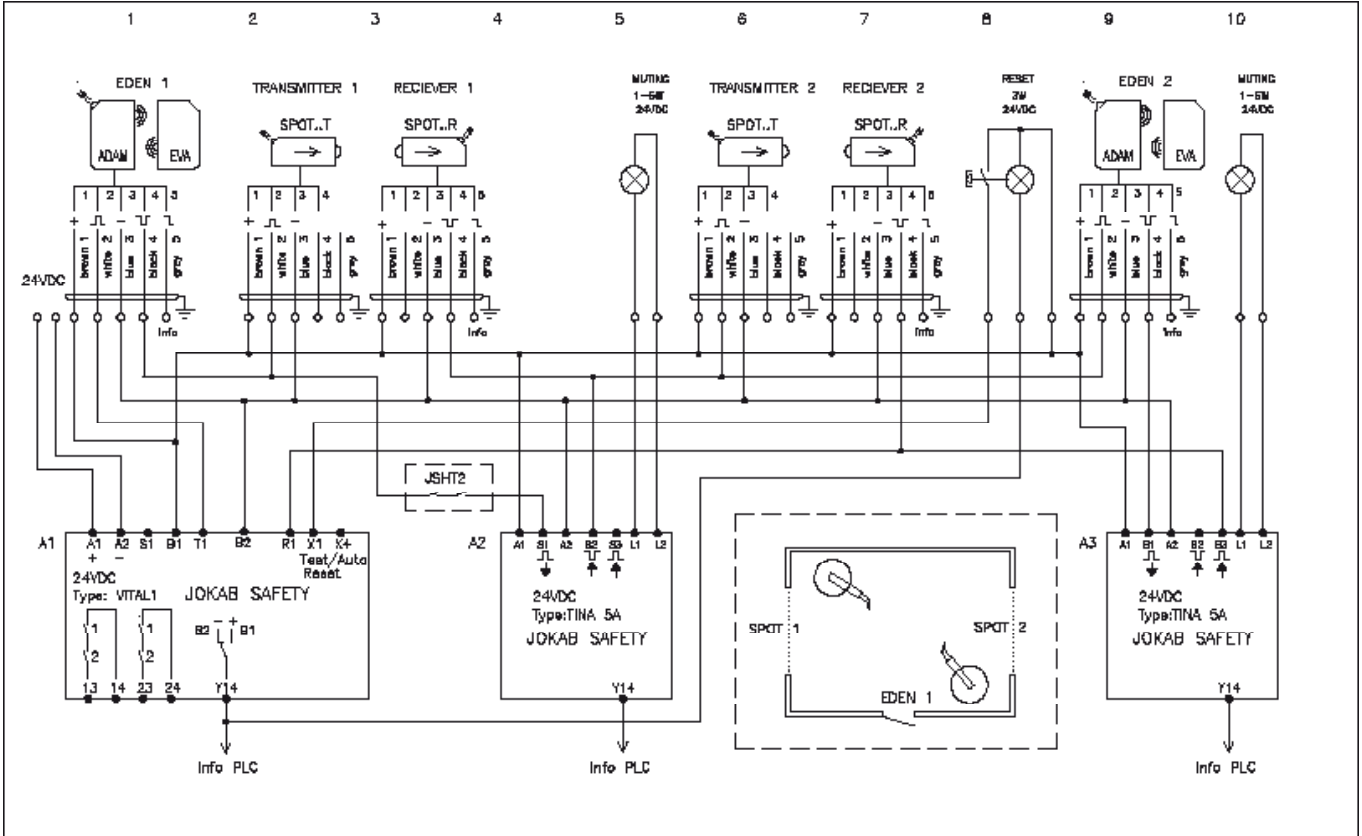


e) Colour coding refers to JOKAB cable.
 e) Kabelfärgerna gäller JOKAB standardkabel.

| | | | | | | | | | | | |
|---|-------------|----|--------------|----------------------|--------------------|-------------|--------------|------------|----------|------------|--|
| Anmärkning Remark EDEN OCH 2 FÖRBIKOPPLADE LJUSBOMMAR MED EDEN EDEN AND 2 BYPASS LIGHTBEAMS WITH EDEN | | | | Konstr. Design/Drawn | JS | Gråk. Appr. | JS | Datum Date | 20070823 | Blad Sheet | |
| | Ritad Drawn | JS | Skisar Pages | | Ritn nr Drawing no | HE3824F | Första Cont. | | | | |

It is the user's responsibility to ensure that all control devices are correctly installed, cared for and operated to meet European, national and local codes/regulations. Subject to change without notice.

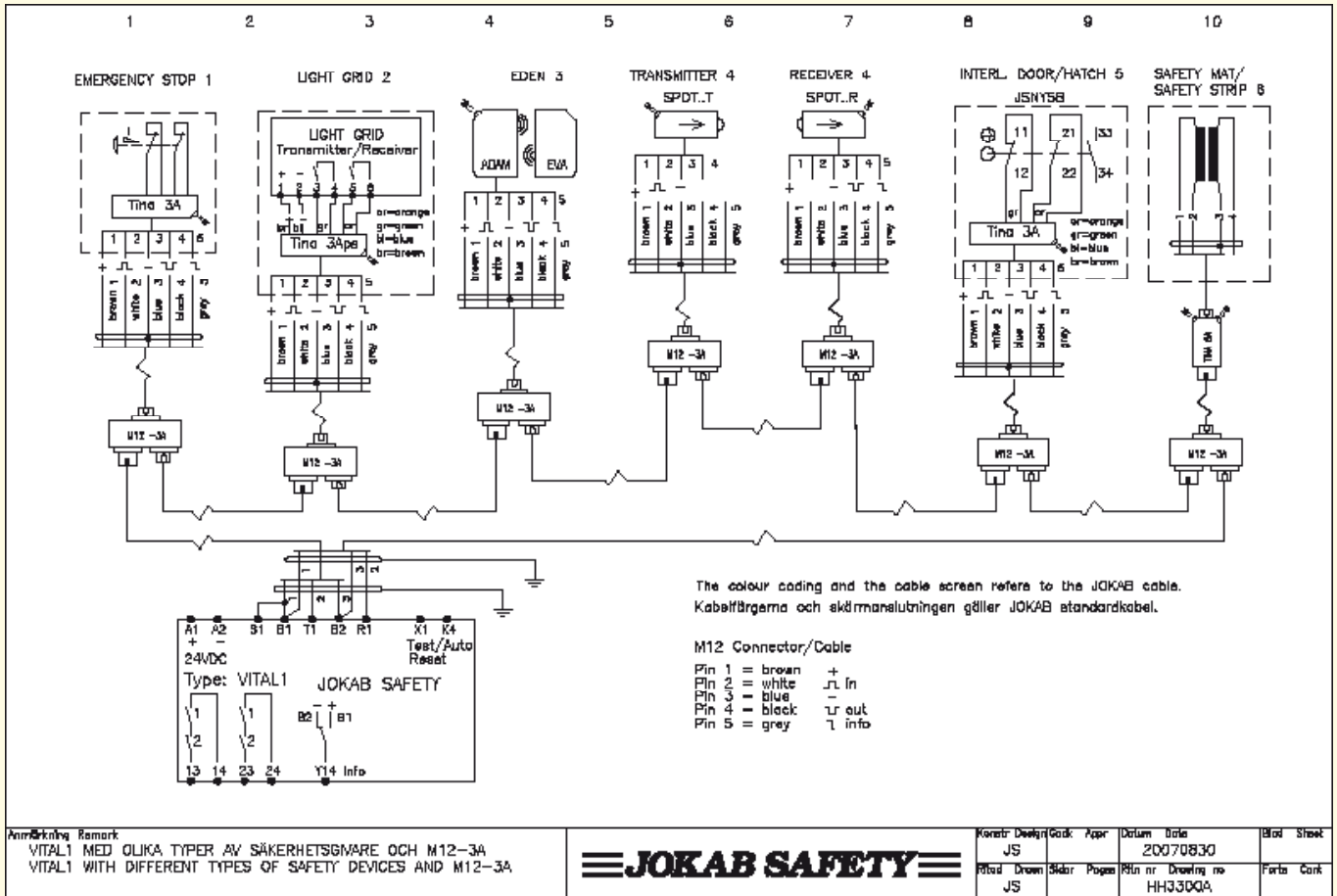
HE3824G Eden i 2 bariery optoelektryczne z obejściem/bypass light beam z Eden



| | | | | | | | | | | | |
|--|-------------|----|--------------|----------------------|--------------------|-------------|--------------|------------|----------|------------|--|
| Anmärkning Remark EDEN OCH 2 SEPARAT FÖRBIKOPPLADE LJUSBOMMAR EDEN AND 2 SEPARATELY BYPASS OF EACH LIGHTBEAM | | | | Konstr. Design/Drawn | JS | Gråk. Appr. | JS | Datum Date | 20070823 | Blad Sheet | |
| | Ritad Drawn | JS | Skisar Pages | | Ritn nr Drawing no | HE3824G | Första Cont. | | | | |

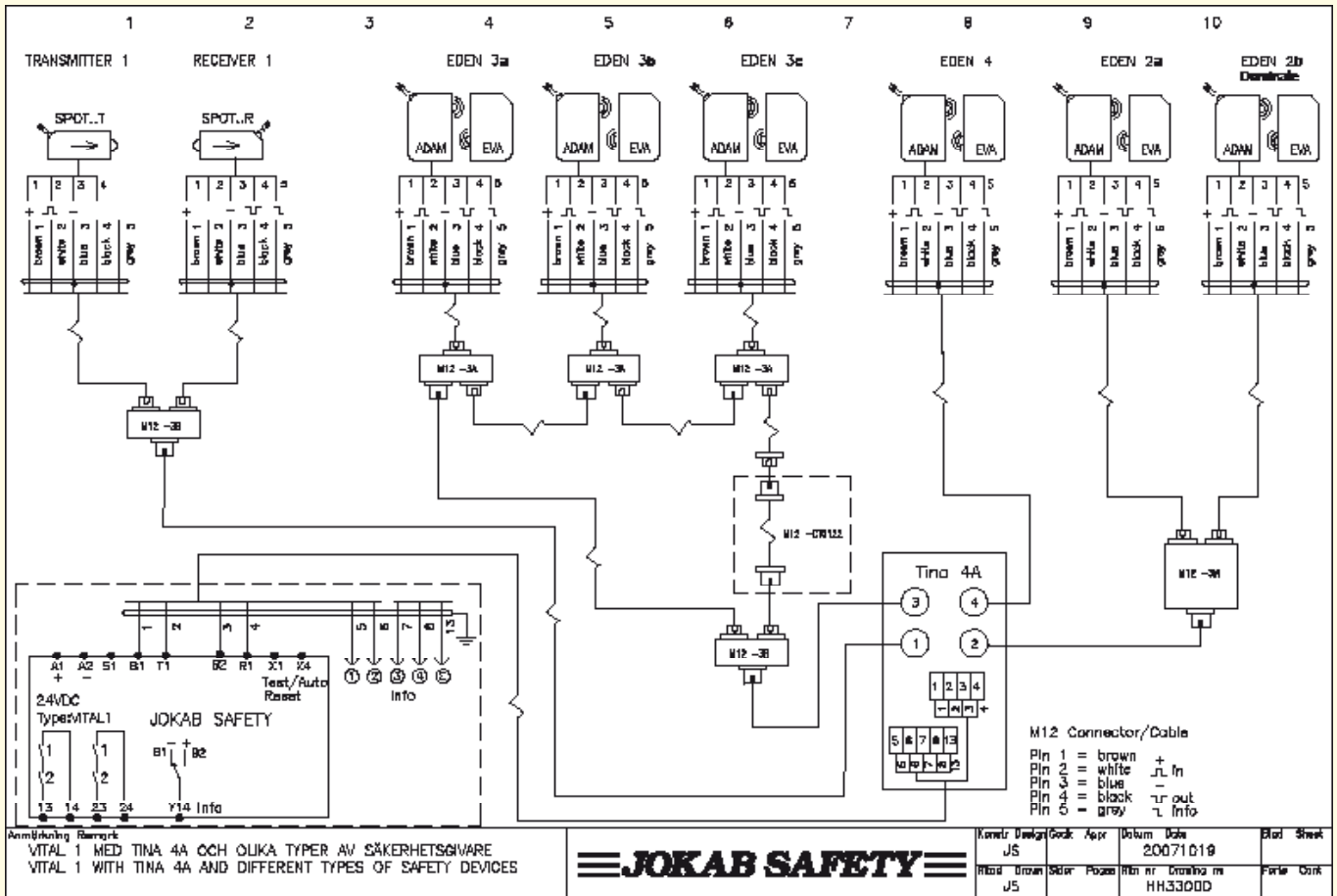
It is the user's responsibility to ensure that all control devices are correctly installed, cared for and operated to meet European, national and local codes/regulations. Subject to change without notice.

HH3300A Vital 1 z różnymi rodzajami urządzeń bezpieczeństwa i M12-3A



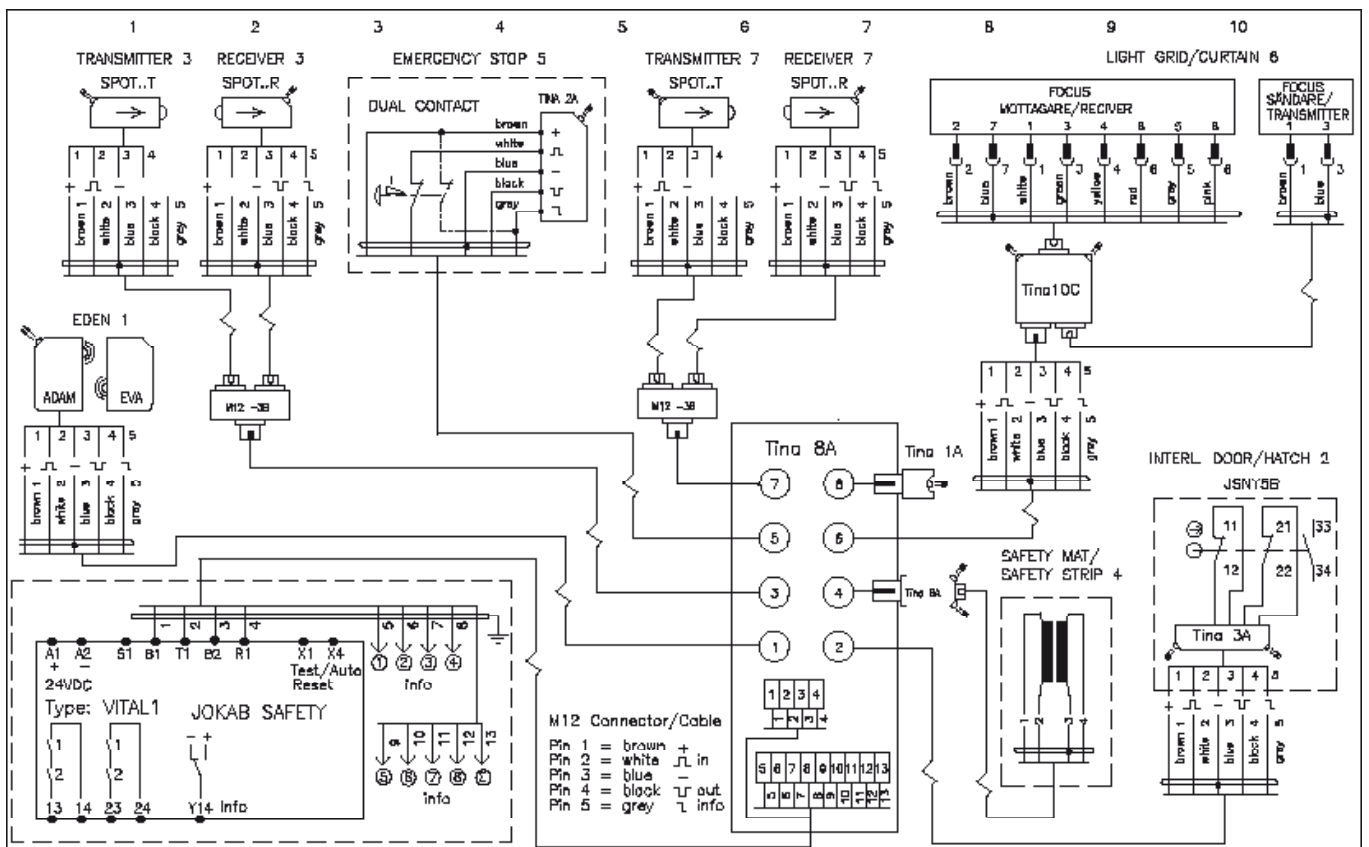
It is the user's responsibility to ensure that all control devices are correctly installed, cared for and operated to meet European, national and local codes/regulations. Subject to change without notice.

HH3300D Vital 1 z Tina 4A i różnymi rodzajami urządzeń bezpieczeństwa



It is the user's responsibility to ensure that all control devices are correctly installed, cared for and operated to meet European, national and local codes/regulations. Subject to change without notice.

HH3302D Vital 1 z Tina 8A i różnymi rodzajami urządzeń bezpieczeństwa



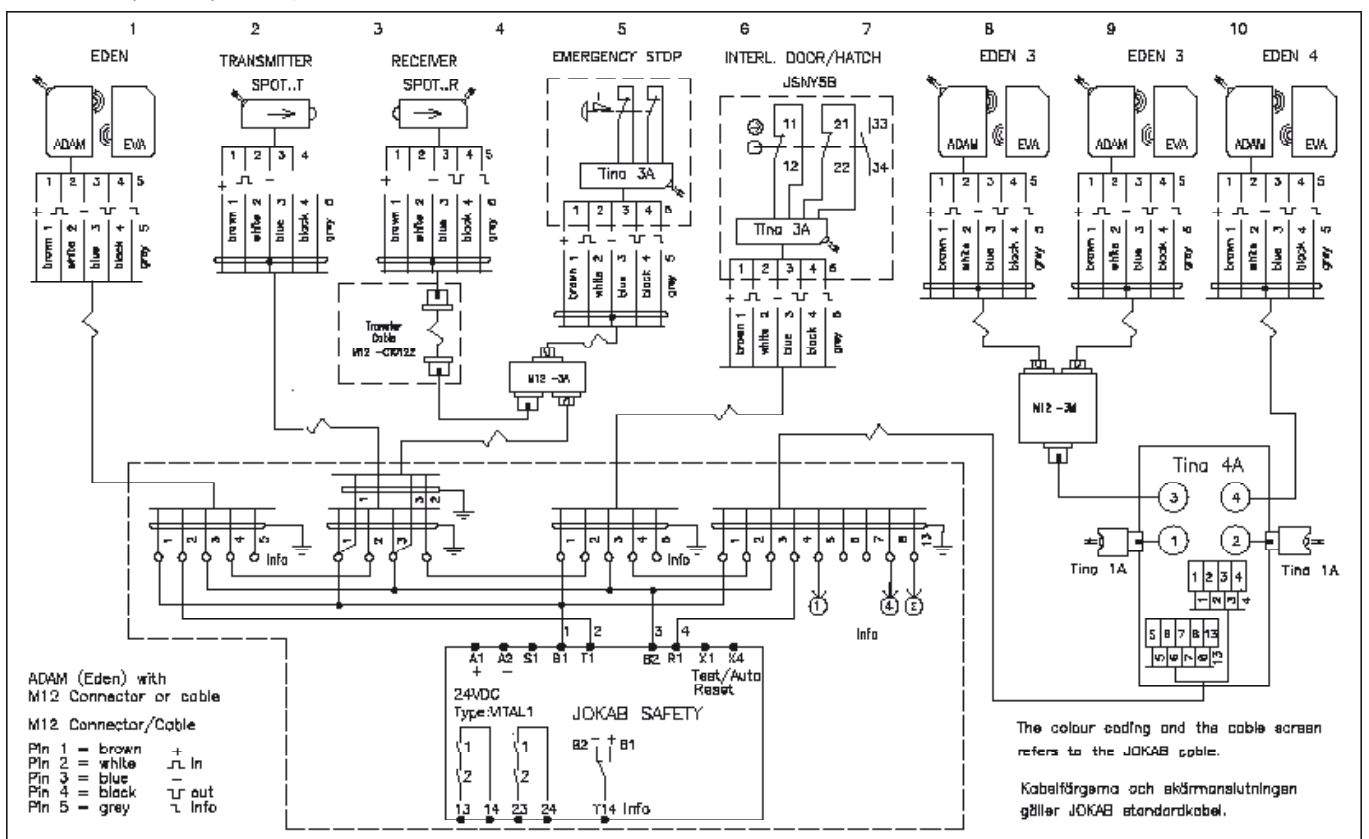
Arvidning Remark
 VITAL1 MED TINA 8A OCH OLIKA TYPER AV SÄKERHETSGMARE
 VITAL1 WITH TINA 8A AND DIFFERENT TYPES OF SAFETY DEVICES



| | | | | | | | | |
|---------------|-------|------|-------|----|---------|------------|-------|-------|
| Kontr. Design | JS | Back | Appr | JS | Datum | 20071023 | Blad | Sheet |
| Reda | Urban | Stur | Pages | 1 | Rev. nr | Drawing no | Parta | Cont |
| | | | | | | HH3302D | | |

It is the user's responsibility to ensure that all control devices are correctly installed, cared for and operated to meet European, national and local codes/regulations. Subject to change without notice.

HH3301E Przykłady połączeń Vital1

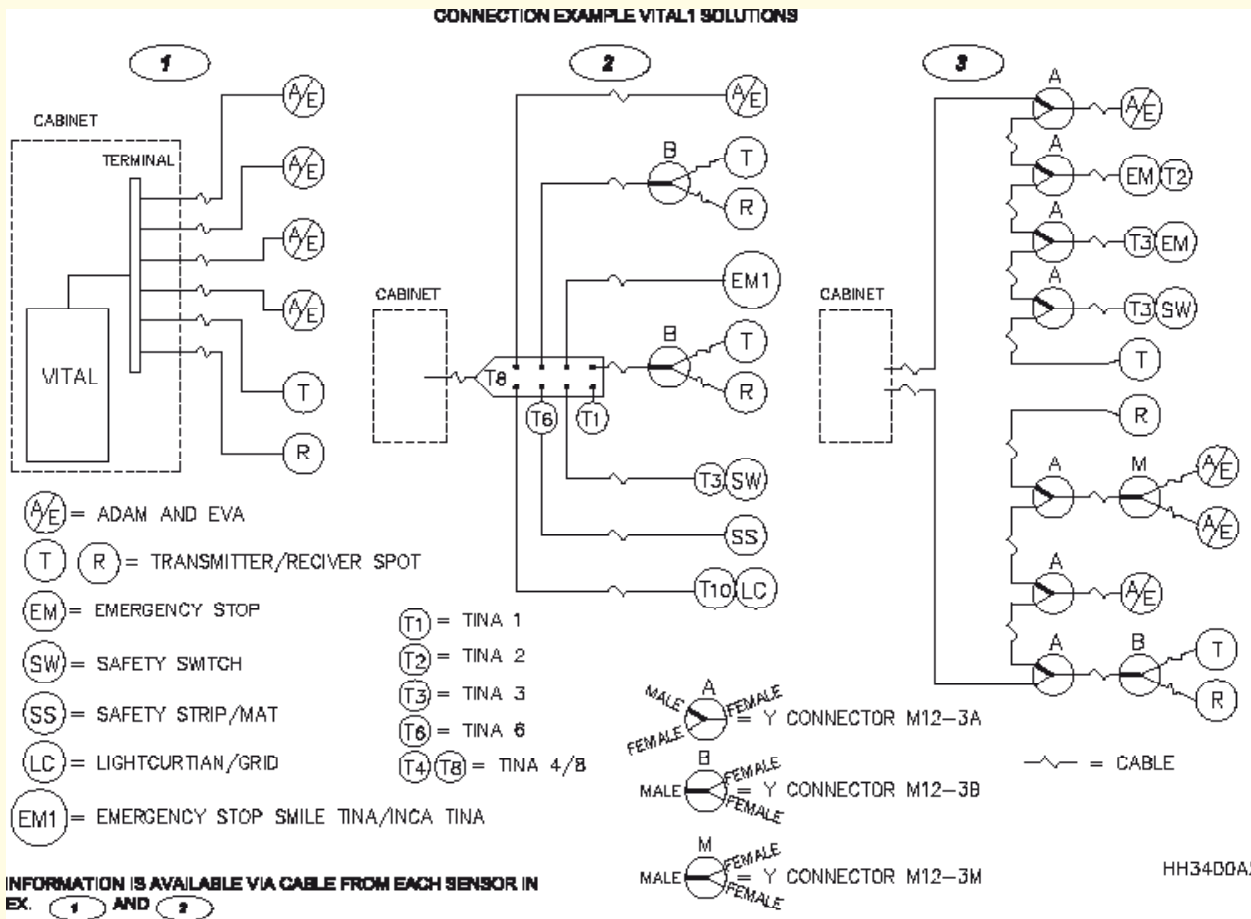


Arvidning Remark
 KOPPLINGSEX. VITAL1
 CONNECTION EX. VITAL1



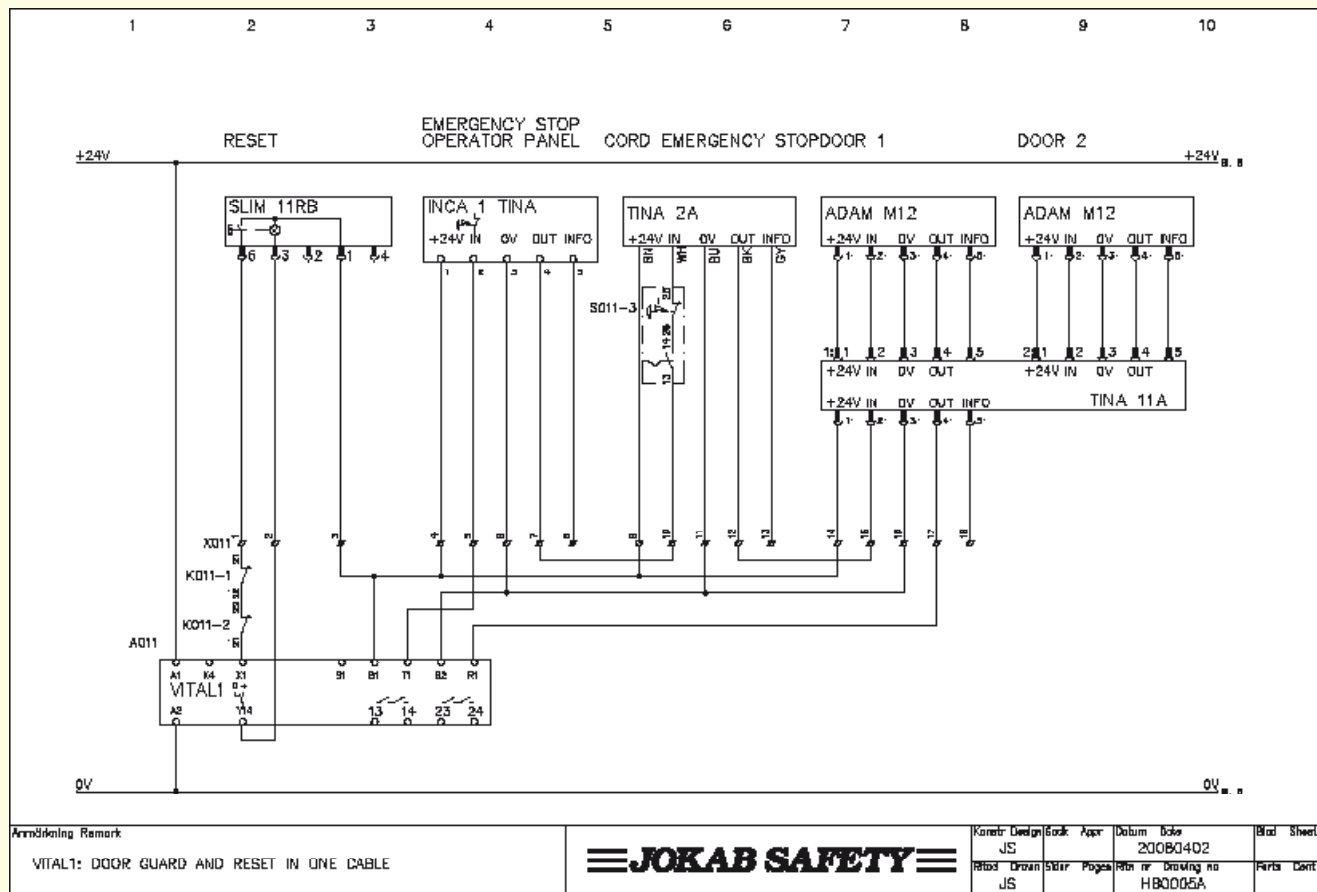
| | | | | | | | | |
|---------------|-------|------|-------|----|---------|------------|-------|-------|
| Kontr. Design | JS | Back | Appr | JS | Datum | 20071023 | Blad | Sheet |
| Reda | Urban | Stur | Pages | 1 | Rev. nr | Drawing no | Parta | Cont |
| | | | | | | HH3301E | | |

It is the user's responsibility to ensure that all control devices are correctly installed, cared for and operated to meet European, national and local codes/regulations. Subject to change without notice.



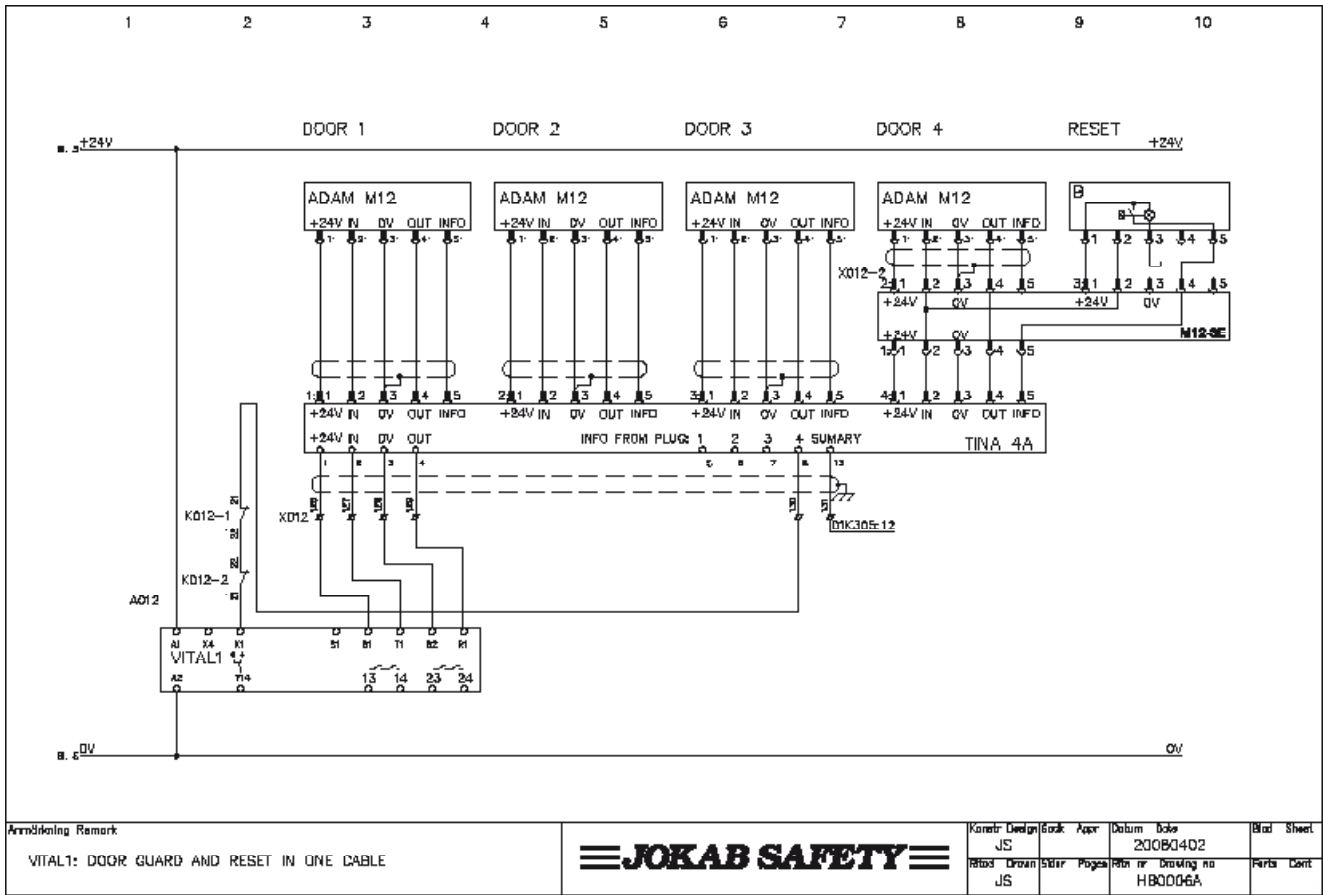
It is the user's responsibility to ensure that all control devices are correctly installed, cared for and operated to meet European, national and local codes/regulations. Subject to change without notice.

HB0005A Vital z Eden oraz zatrzymaniem bezpieczeństwa Smile, z oddzielnym resetem



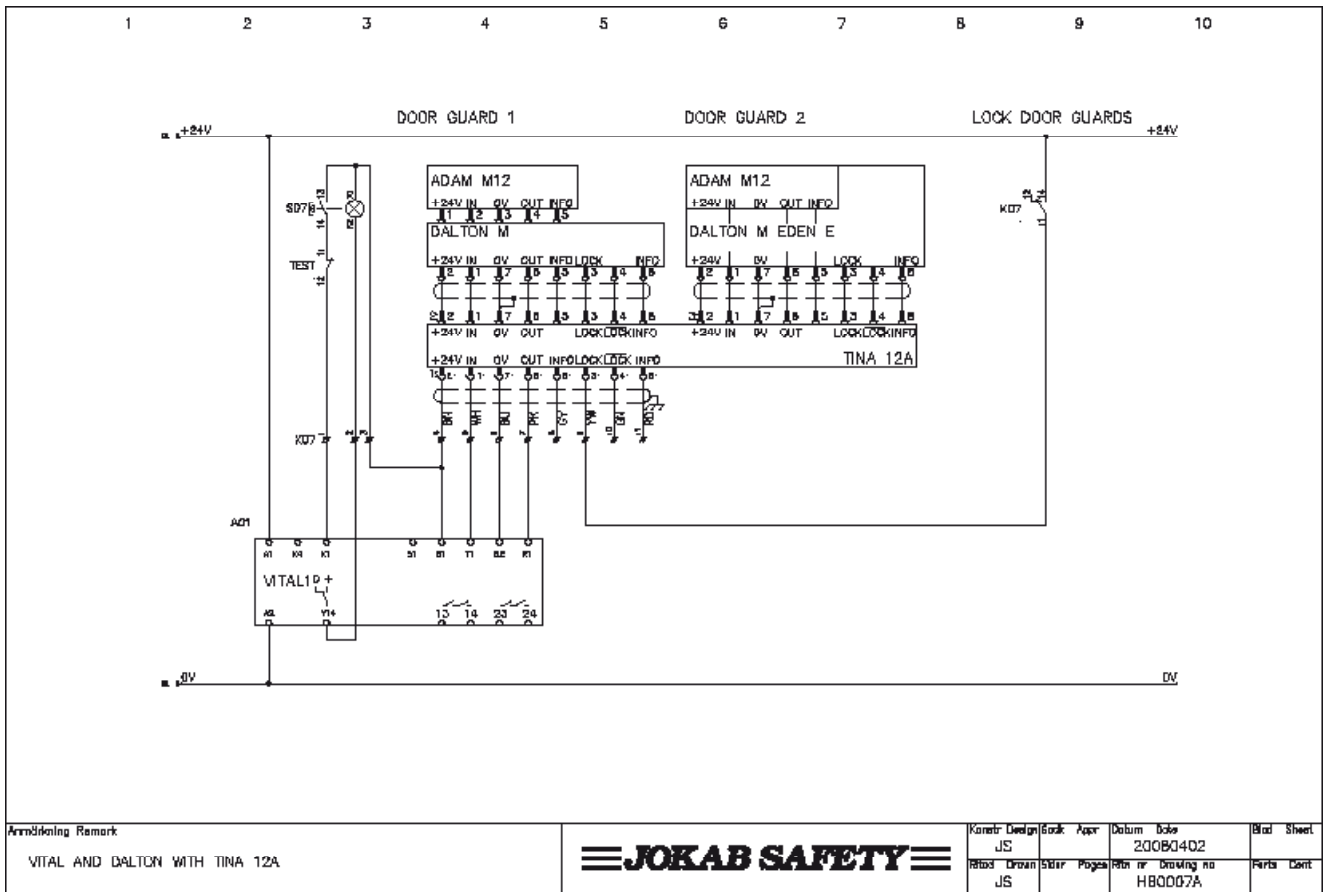
It is the user's responsibility to ensure that all control devices are correctly installed, cared for and operated to meet European, national and local codes/regulations. Subject to change without notice.

HB0006A Vital z 4 jednostkami Eden + reset poprzez M12-3E i Tinę 4A



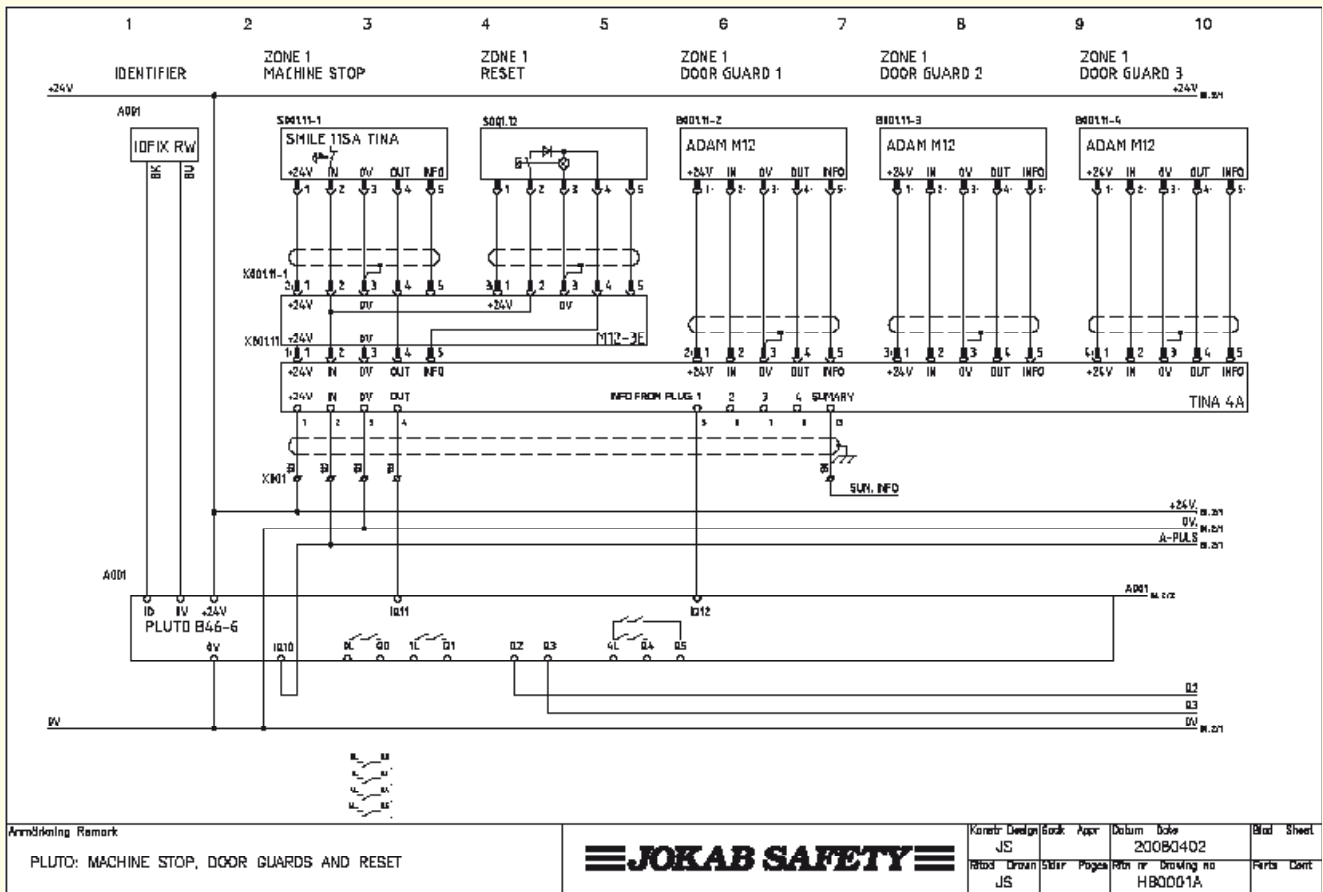
It is the user's responsibility to ensure that all control devices are correctly installed, cared for and operated to meet European, national and local codes/regulations. Subject to change without notice.

HB0007A Vital z dwoma jednostkami Dalton poprzez Tinę 12A



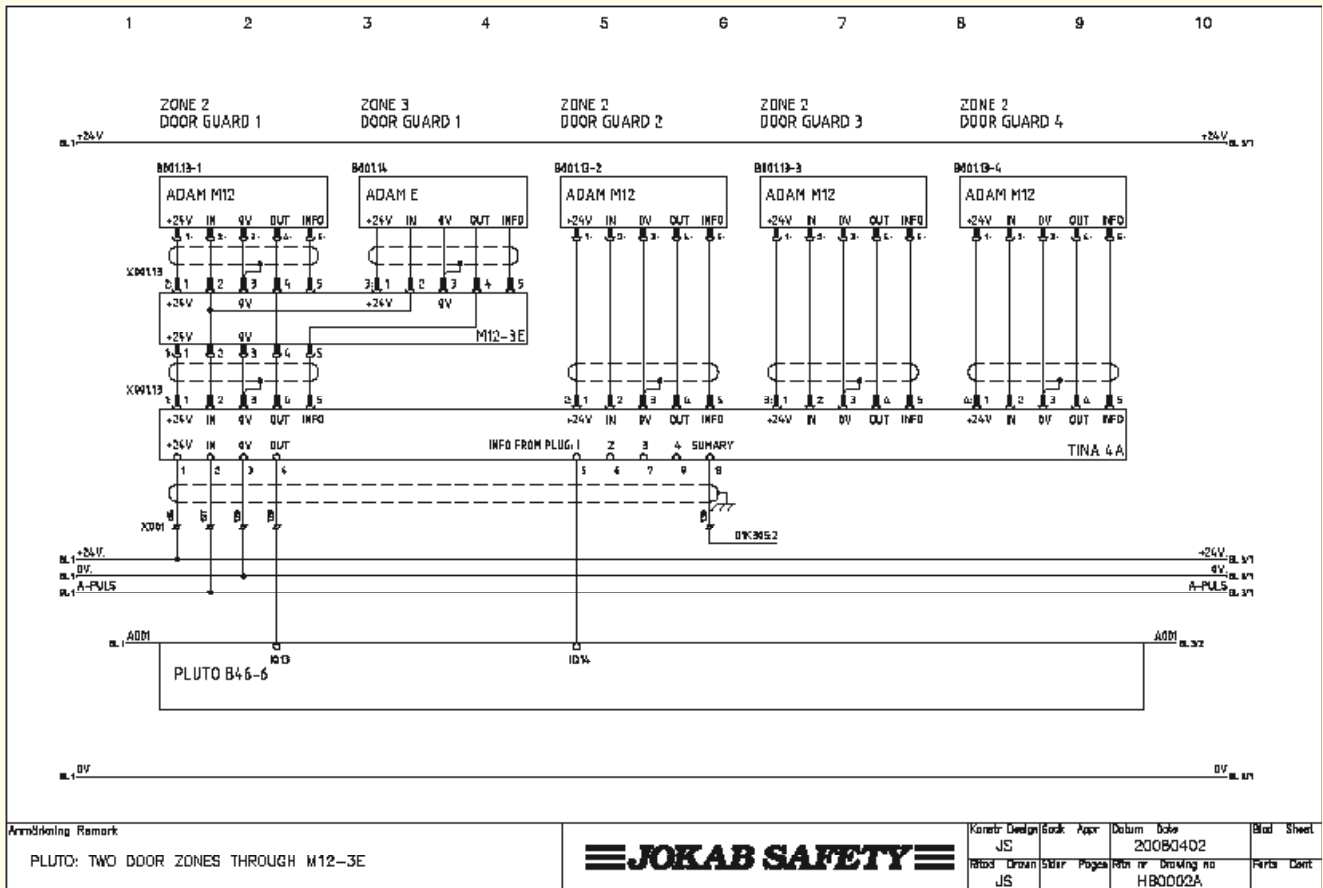
It is the user's responsibility to ensure that all control devices are correctly installed, cared for and operated to meet European, national and local codes/regulations. Subject to change without notice.

HB0001A Pluto z jednostkami zatrzymania bezpieczeństwa + reset poprzez M12-3E i Adam poprzez urządzenie Tina 4A



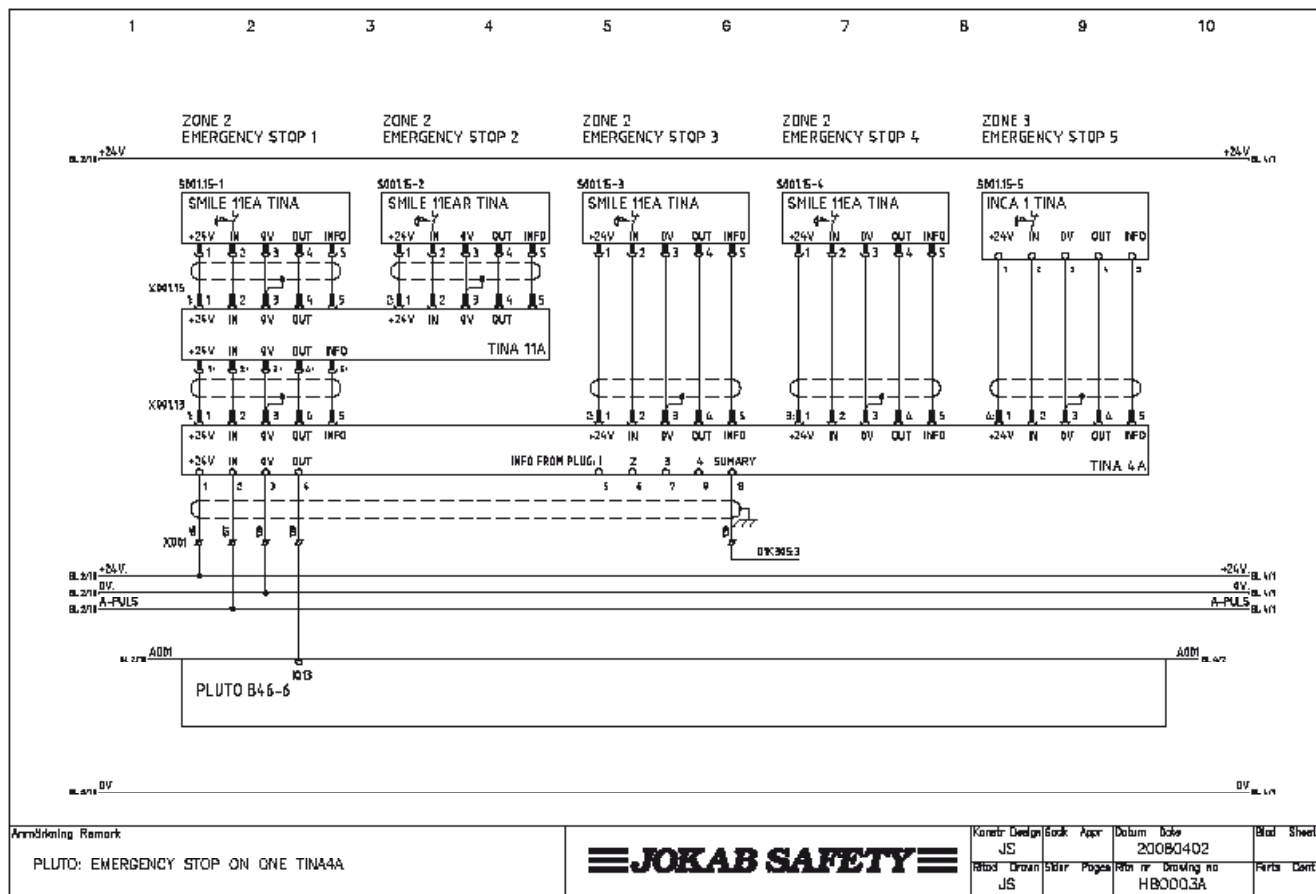
It is the user's responsibility to ensure that all control devices are correctly installed, cared for and operated to meet European, national and local codes/regulations. Subject to change without notice.

HB0002A Pluto z pięcioma jednostkami Eden, dla dwóch stref poprzez M12-3E i Tina 4A



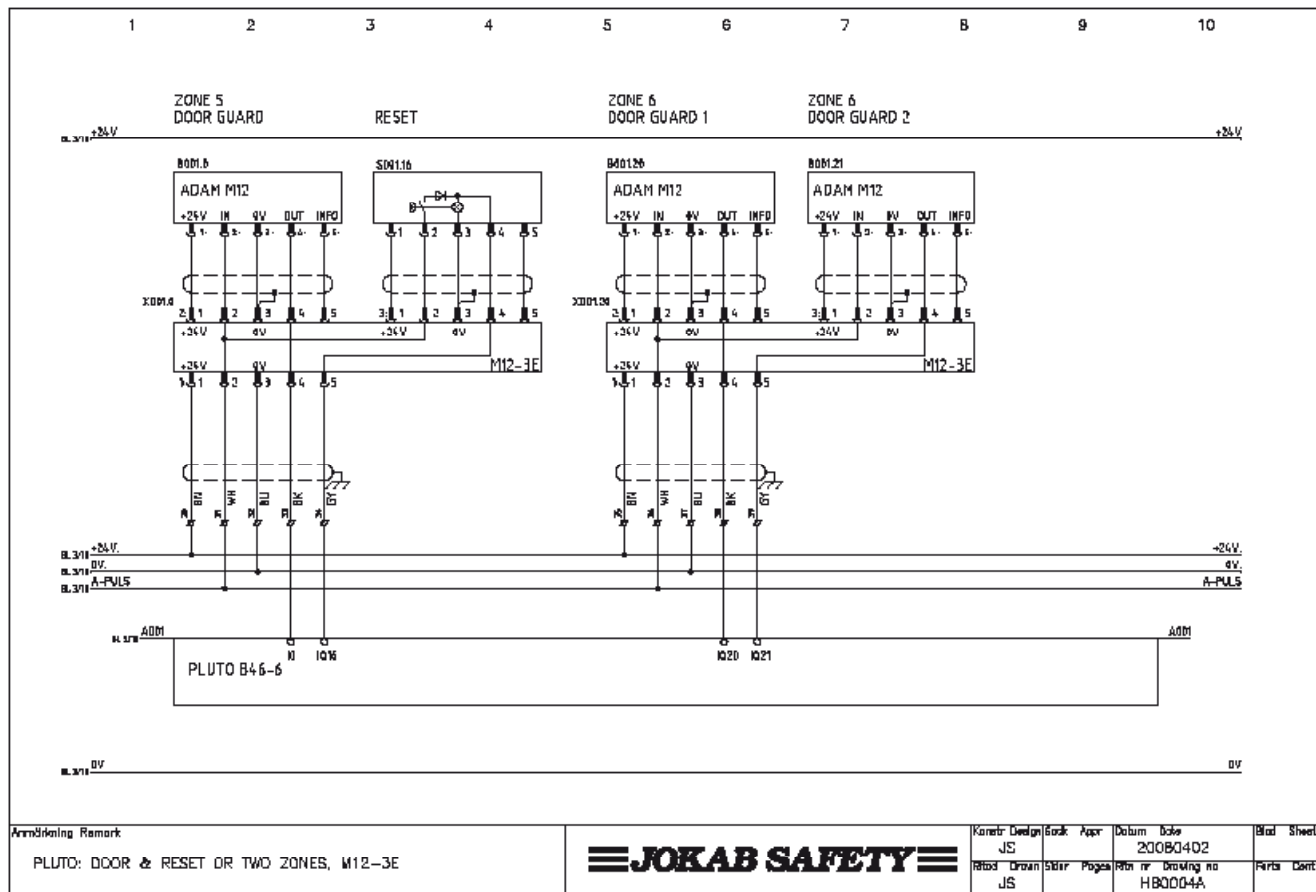
It is the user's responsibility to ensure that all control devices are correctly installed, cared for and operated to meet European, national and local codes/regulations. Subject to change without notice.

HB0003A Pluto z pięcioma jednostkami zatrzymania bezpieczeństwa Smile, poprzez urządzenie Tina 11A i Tina 4A



It is the user's responsibility to ensure that all control devices are correctly installed, cared for and operated to meet European, national and local codes/regulations. Subject to change without notice.

HB0004A Pluto różnymi strefami dla Eden + reset i dwie jednostki Eden + poprzez M12-3E



It is the user's responsibility to ensure that all control devices are correctly installed, cared for and operated to meet European, national and local codes/regulations. Subject to change without notice.