

Key Adaptors

Safety & Access



Description

Fortress adaptors provide users with the ability to have safe access to applications with the use of a key. Dependent upon your requirements we can supply either a Safety Key Adaptor or an Access Key Adaptor.

As part of a sequential operation the **Safety Key Adaptor** ensures that the machine/process cannot be restarted without returning the keys, preventing personnel being accidentally locked in a guarded area. It provides a unique link to the KeyGard range and can be stacked or combined with other adaptors.

The **Access Key Adaptor** is ideal for authorised access only, or for a linked access to other machinery, ensuring a specific sequence of operations. It features a safe and easy method of requesting a machine to stop and also provides a unique link to the KeyGard range.

Operation

Safety Key Adaptor - When the machine is in operation both the tongue/handle and the safety key are trapped. When configured with an AutoLok or

Amlok product the integral solenoid prevents the Safety Key from being removed until the machine has completed its run down cycle. On the AutoLok or AmLok modules a yellow L.E.D will illuminate when the solenoid has been energised and the key can be removed. When the Safety Key is removed a red L.E.D will illuminate on the interlock indicating that the guard can be opened. The operator can then take the Safety Key into the guarded area preventing inadvertent restart of the machine. The Safety Key cannot be replaced until the guard is closed and the key/tongue is relocated in the interlock.

Access Key Adaptor - The guard is locked closed until the Access Key is inserted, only then can the guard be opened or the machine requested to stop - avoiding unauthorised personnel from stopping the machine.

Modular Arrangement

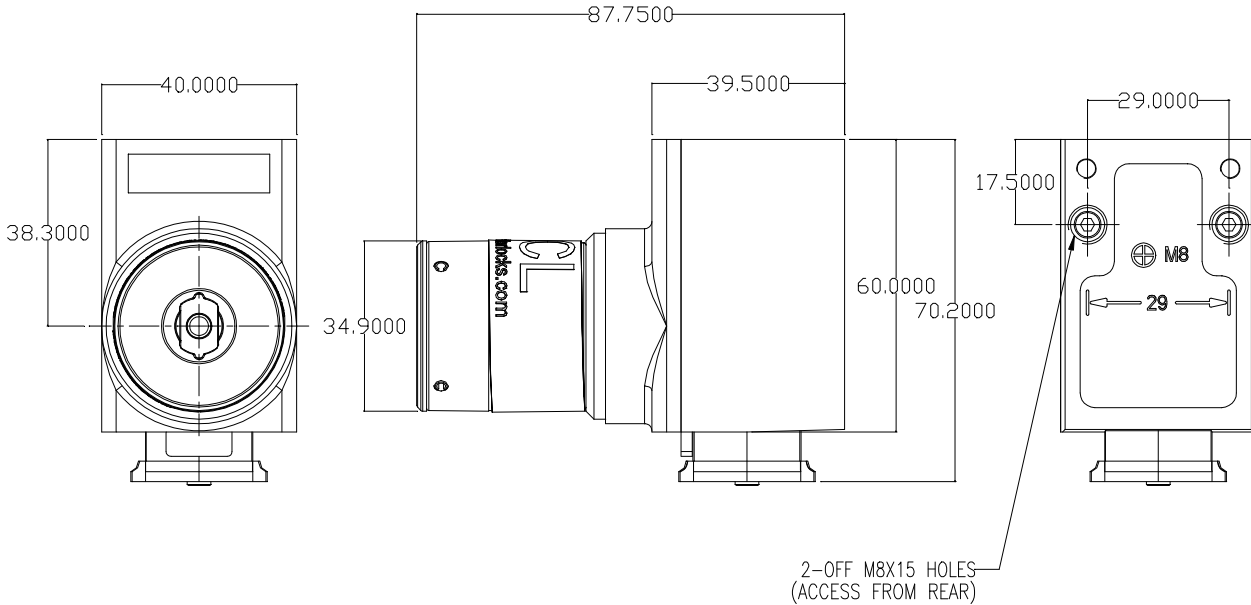
Available as a modular assembly, more than one Safety/Access Key, Lock-Out or Lock-In, Lock-Out Adaptor may be fitted to a single interlock in a vertical stack.



Fortress Interlocks

Technical Data Sheet

Key Adaptors



Technical Specification and Ordering Information

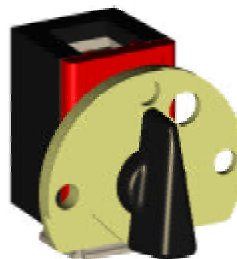
When ordering please specify the following information: -

Product Type:	S1 / A1
Lock Material:	Stainless Steel Internals Only / Stainless Steel
Dustcover:	Optional Stainless Steel Dustcover
Coding Details:	Customer request
Keys	Sold separately

Other Fortress Adaptor Products



LO - Lock-Out Adaptor that provides padlocking in the **OFF** position *only*.



LB - Lock-In, Lock-Out Adaptor that provides padlocking in the **On** and **OFF** positions.